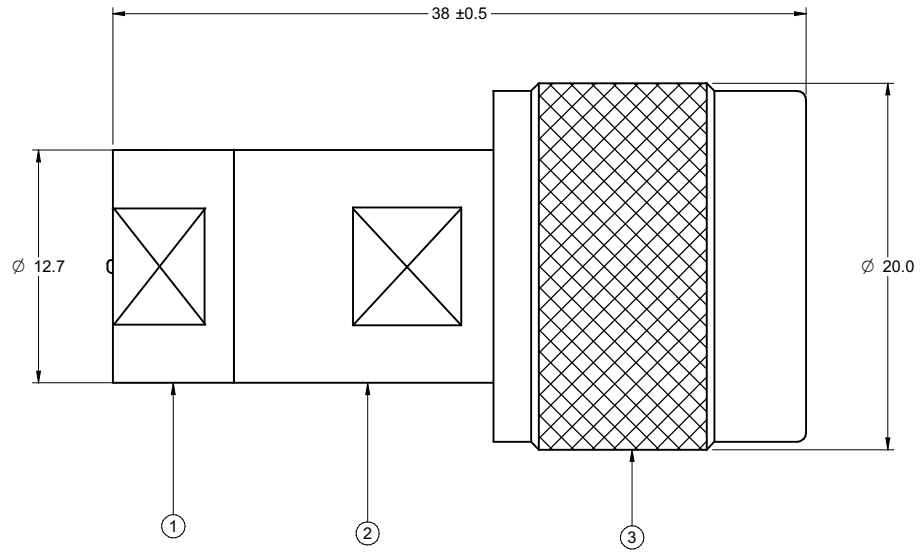


PART NUMBER	ITEM ① NUT	ITEM ② BODY	ITEM ③ NUT
26-8023	BRASS NICKEL PLATED	BRASS NICKEL PLATED	BRASS NICKEL PLATED

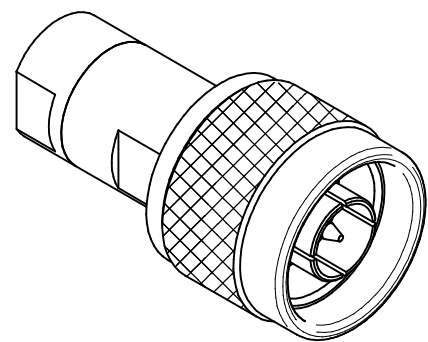
DRAWING NO.
26-8023

REVISIONS				
01	OFFICIAL RELEASE			
08-20-09	W	L	T	

2009.09.1
12:56:21
+0800
Betty



受控 CONTROLLED DOCUMENT			
编号 P/N		版本 Rev	日期 Rel'd Date



NOTES:
1. TECHNICAL DETAIL: REFER TO EMERSON DOCUMENT P/N 26-0000

THIS DRAWING TO BE INTERPRETED
PER ANSI Y 14.5M - 1994

COMPANY CONFIDENTIAL



TOLERANCE UNLESS OTHERWISE SPECIFIED		DRAWN BY IVON.WANG	DATE 08-20-09
DECIMALS	mm	CHECKED BY IVON.WANG	DATE 08-20-09
X	± 0.5	APPROVED BY THOMAS	DATE 08-20-09
X.X	± 0.2		
X.XX	± 0.1		
ANGLES	± 0.5°	U/M	mm

TITLE
**N(M) TERMINATOR 50 OHMS
1W@2%**

THIS DRAWING WAS PRODUCED BY COMPUTER,
DO NOT SCALE DRAWING OR UPDATE MANUALLY.

SHEET 1 OF 1	DRAWING NO. 26-8023	SIZE C
-----------------	------------------------	-----------