

8 7 6 5 4 3 2 1

This document, including the design, configuration and mechanical features revealed herein are the sole, confidential and proprietary property of Winchester Interconnect. Reproduction or use thereof, in whole or part, is prohibited without the prior written consent of Winchester Interconnect.

REV	DESCRIPTION	DATE	APPR
A	ECO-12105	03/06/2020	LA

NOTES:

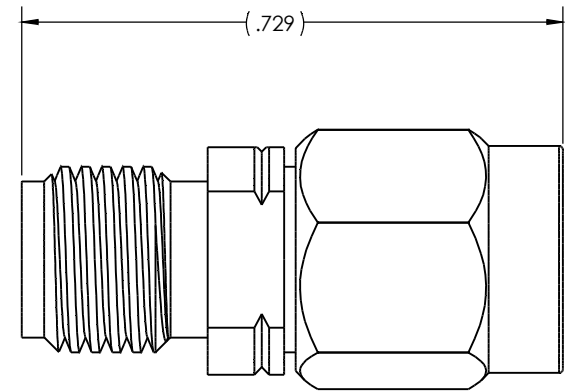
MATERIALS:


SST. 303, PER ASTM A582
 BERYLLIUM COPPER PER ASTM-B-196, QQ-C-530
 OXIDE-NORYL (TM), MIL-P46129.

CENTER CONDUCTORS AND SOLDER COMPONENTS SHAL BE PLATED PER MIL-PRF-45204
 TYPE II, CLASS 1 OVER NICKEL PLATE PER AMS-QQ-N-290
 BODY AND BODY COMPONENTS SHAL BE PASSIVATE PER AMS-2700

ELECTRICAL:

FREQUENCY: DC-34.5 GHz
 VSWR: 1.25 MAX DC TO 34.5 GHz
 INSERTION LOSS: .05√FREQUENCY(GHz)dB MAX.



DO NOT SCALE DRAWING	DRAWN LRH	DATE 6/95	 Winchester Interconnect. 245 Lynnfield St. Peabody, MA 01960
UNLESS OTHERWISE SPECIFIED: DIMENSIONS ARE IN INCHES	ENG APPR.	DATE	
	MFG APPR.	DATE	
	OTHER APPR.	DATE	
TOLERANCES: FRACTIONS: ±1/64 .XX: ±.01 .XXX: ±.005 ANGLES: ±1/2° MACHINED SURFACES: 63/√	THIRD ANGLE PROJECTION		TITLE: 2.4mm PLUG TO 3.5mm JACK ADAPTER
	SIZE B	DWG. NO. 26-923-0000-90c	REV A
	PER ASME Y14.5M-1994	SCALE: 4:1	SHEET 1 OF 1

8 7 6 5 4 3 2 1