

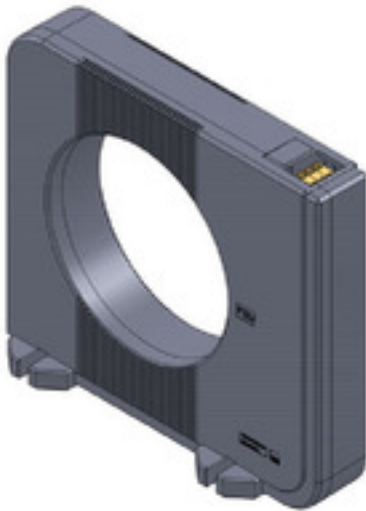
CMA-RCM-DACT-120**Weidmüller Interface GmbH & Co. KG**

Klingenbergstraße 26

D-32758 Detmold

Germany

www.weidmueller.com

Similar to illustration**Difference current transformer** (Residual current monitoring, RCM)

This type is specialised in the detection of residual currents in 3 / 4-wire AC networks.

Its special features are:

Highly sensitive current sensor for the detection of even the smallest residual currents, fixed switching hysteresis of 5%, high safety thanks to integrated overvoltage protection and coverage of a wide frequency range.

General ordering data

Version	Residual current transformer, Primary current: 25 A, Round conductor: 120.00 mm, closed current transformer
Order No.	2603450000
Type	CMA-RCM-DACT-120
GTIN (EAN)	4050118665406
Qty.	1 pc(s).
Local product	Only available in certain countries

Creation date September 18, 2022 12:41:40 AM CEST

Catalogue status 09.09.2022 / We reserve the right to make technical changes.

CMA-RCM-DACT-120

Weidmüller Interface GmbH & Co. KG

Klingenbergstraße 26

D-32758 Detmold

Germany

www.weidmueller.com

Technical data

General ordering data

Local product	Only available in certain countries
---------------	-------------------------------------

Dimensions and weights

Depth	37 mm	Depth (inches)	1.457 inch
Height	191.5 mm	Height (inches)	7.539 inch
Width	210 mm	Width (inches)	8.268 inch
Net weight	240 g		

Temperatures

Storage temperature	-25 °C...70 °C	Operating temperature	-10 °C...70 °C
---------------------	----------------	-----------------------	----------------

Measuring current input

Residual current measuring	Yes
----------------------------	-----

Dimensions of live conductors

Type of conductor	Insulated conductor only	Round conductor	120 mm
Installation location	Indoor use		

Electrical attributes

Frequency band	30 Hz...3 kHz	Load	0 VA
Primary current	25 A	Secondary current	0...41.7 mA
Secondary current max.	0.04 A	Secondary current, min.	0.042 A
Tolerance class	1	Transmission ratio	1:600

Technical data

Measurement accuracy	Class 1 (IEC 6206-21)	Pollution severity	3
Protection degree	IP40	Version	closed current transformer
Standards	EN 61010-1, EN 61000-6-1:2007, EN 61000-6-3:2007	Residual current measuring	Yes

Input

Input measurement range	0.02...2 A / 0.25...25 A depending on terminal assignment
-------------------------	---

Insulation coordination

Galvanic isolation	yes	Impulse withstand voltage	8 kV
Pollution severity	3	Rated voltage	800 V
Standard	EN 60044/1	Tolerance class	1

CMA-RCM-DACT-120

Weidmüller Interface GmbH & Co. KG
Klingenbergstraße 26
D-32758 Detmold
Germany

www.weidmueller.com

Technical data

Classifications

ETIM 6.0	EC002048	ETIM 7.0	EC002048
ETIM 8.0	EC002048	ECLASS 9.0	27-21-09-02
ECLASS 9.1	27-21-09-02	ECLASS 10.0	27-21-09-02
ECLASS 11.0	27-21-09-02	ECLASS 12.0	27-21-09-02

Approvals

ROHS	Conform
------	---------

Downloads

User Documentation	Instruction sheet
Catalogues	Catalogues in PDF-format