

3M™ Textool™ Shrink DIP Sockets .070"



- For DIPs with .070" (1.78 mm) lead spacing
- Pin counts from 28 through 90 leads
- Lever actuated zero insertion force mechanism
- Socket contact point of .090" (2.29 mm) below top surface of socket

Date Modified: September 14, 2012

TS-0366-B
Sheet 1 of 2

Physical

Insulation

Material: Glass Filled Polysulfone

Flammability: UL 94V-0

Color: Green

Marking: 3M Logo & Part Number Identifier

Contact:

Material: Beryllium Copper

Plating: Gold Flash over 50 μ " [1.3 μ m] Nickel

Electrical

Current Rating: 1 Amp

Insulation Resistance: 10^3 M Ω min. at 500 Vdc

Withstanding Voltage: 1000 Vrms at Sea Level

Environmental

Temperature Rating: -55°C to +125°C

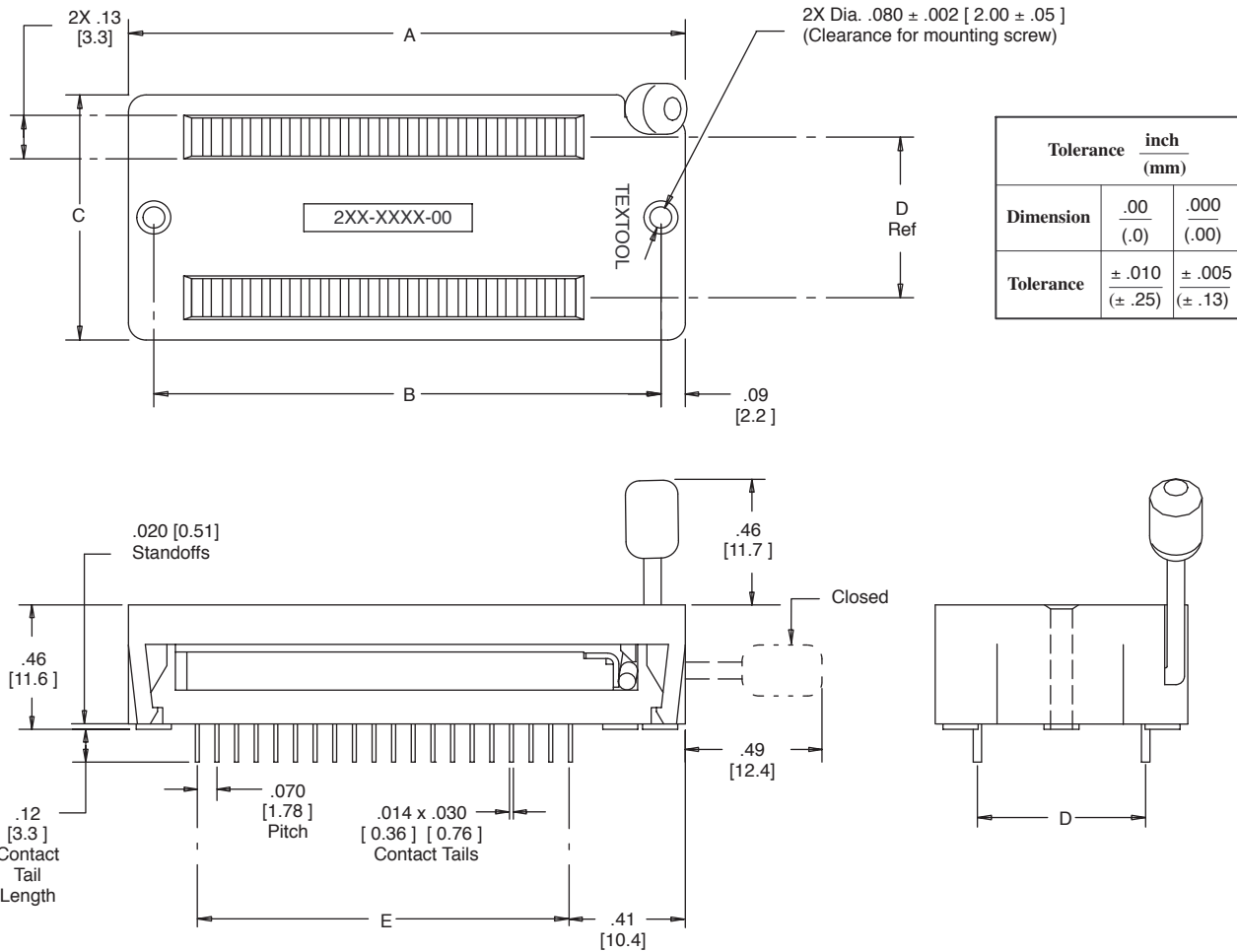
Mechanical

When used as a test socket at room temperature 24°C the socket will last 20,000 actuations.

3M™ Textool™ Shrink DIP Sockets

.070"

| Dimensions | | | | | |
|------------------|-------------|-------------|-------------|-------------|--------------|
| Contact Quantity | A | B | C | D | E |
| 28 | 1.60 [40.5] | 1.42 [36.1] | .70 [17.8] | .40 [10.16] | .91 [23.14] |
| 32 | 1.73 [44.0] | 1.56 [39.6] | .70 [17.8] | .40 [10.16] | 1.05 [26.67] |
| 42 | 2.10 [52.9] | 1.90 [48.5] | .90 [22.9] | .60 [15.24] | 1.40 [35.60] |
| 56 | 2.57 [65.4] | 2.40 [61.0] | .90 [22.9] | .60 [15.24] | 1.89 [48.01] |
| 64 | 2.90 [72.5] | 2.68 [68.0] | 1.10 [28.3] | .80 [20.70] | 2.20 [55.18] |
| 90 | 3.77 [95.7] | 3.59 [91.3] | 1.23 [31.3] | .90 [22.86] | 3.08 [78.32] |



Ordering Information

| Socket Part Number | Contact Quantity | Mating Receptacle Part Number |
|---------------------|------------------|-------------------------------|
| 228-1290-00-0602J | 28 | 228-1290-XX-0602J |
| 232-1291-00-0602J | 32 | NOT AVAILABLE |
| 242-1293-00-0602J | 42 | 242-1293-XX-0602J |
| 264-1300-00-0602J | 64 | 264-1300-XX-0602J |
| 256-1292-00-0602J | 56 | NOT AVAILABLE |
| ① 290-1294-00-3302J | 90 | 290-1294-XX-0602J |

① Note: This socket is available only in black polyetherimide plastic.

Contact Tail Length:
 XX = 09 Solder Tail w/ flanges
 = 29 Solder Tail w/out flanges

TS-0366-B
 Sheet 2 of 2