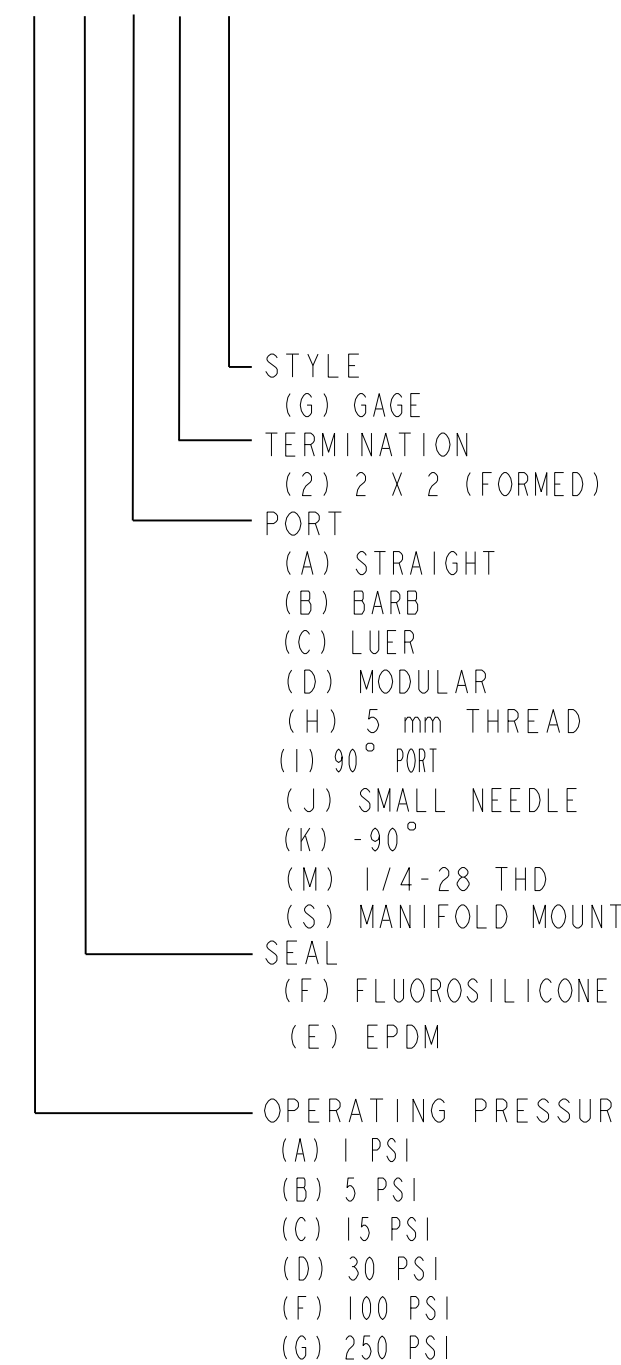


GENERAL OPERATING CHARACTERISTICS (ELECTRICAL PERFORMANCE AT 10.00 ± 0.01 VDC EXCITATION, 25°C)																				
OPERATING PRESSURE RANGE (PSIG)	0 - 1 (A)			0 - 5 (B)			0 - 15 (C)			0 - 30 (D)			0 - 100 (F)			0 - 250 (G)				
	MIN	NOM	MAX	MIN	NOM	MAX	MIN	NOM	MAX	MIN	NOM	MAX	MIN	NOM	MAX	MIN	NOM	MAX		
SPAN (P2>P1)	14.7	16.7	18.7	47	50	53	97	100	103	97	100	103	mV	95	100	105	143	150	157	mV
NULL OFFSET	-1.5	0	+1.5	-1.5	0	+1.5	-1.5	0	+1.5	-1.5	0	+1.5	mV	-2.0	0	+2.0	-2.0	0	+2.0	mV
LINEARITY (BFSL, P2>P1)	0.25 0.5			0.4 0.5			0.25 0.5			0.1 0.2			%SPAN	0.4 0.6			0.5 0.7			%SPAN
NULL SHIFT (0 TO 25°C, 25 TO 50°C) / 2	±0.5 ±1.0			±0.5 ±1.0			±0.5 ±1.0			±0.75 ±1.5			mV	±1.0 ±2.0			±1.0 ±2.0			mV
SPAN SHIFT (0 TO 25°C, 25 TO 50°C) P2>P1 / 2	±1.0 ±2.0			±1.0 ±1.5			±0.75 ±1.5			±0.75 ±1.5			%SPAN	±0.5 ±1.5			±0.5 ±1.5			%SPAN
REPEATABILITY AND HYSTERESIS	±0.5			±0.2			±0.2			±.2			%SPAN	±0.2			±0.2			%SPAN
OVERPRESSURE (P2>P1; P1>P2)	20			20			45			60			PSI	200			500			PSI
ALL PRESSURE RANGES	MIN	NOM	MAX	UNITS																
EXCITATION VOLTAGE	10			VDC																
INPUT RESISTANCE	5.5K	7.5K	11.5K	OHMS																
OUTPUT RESISTANCE	1.5K	2.5K	3.0K	OHMS																
RESPONSE TIME	1.0			ms																
TEMPERATURE RANGES																				
STORAGE	-55°C TO +100°C (-67°F TO +212°F)																			
OPERATE	-40°C TO +85°C (-40°F TO +185°F)																			
COMPENSATED	0 TO +50°C (+32°F TO +122°F)																			
OPERATE	-20°C TO +85°C																			

26PC_F_2G

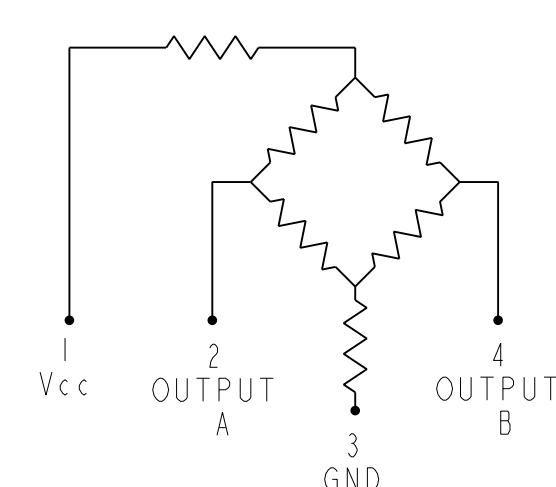


CATALOG LISTING	LASER BRAND/TG
26PCFA2G	6AF2G
26PCDFA2G	6DF2G
26PCDFB2G	6DF2G
26PCBFA2G	6BF2G
26PCCF2G	6CF2G
26PCBFB2G	6BF2G
26PCCFB2G	6CF2G
26PCBFC2G	6BF2G
26PCCFJ2G	6CF2G
26PCCFK2G	6CF2G
26PCAFH2G	6AF2G
26PCAFK2G	6AF2G
26PCAF2G	6AF2G
26PCFFH2G	6FF2G
26PCBFK2G	6BF2G
26PCFFA2G	6FF2G
26PCAFD2G	6AF2G
26PCGFA2G	6GF2G
26PCAED2G	6AE2G
26PCDED2G	6DE2G
26PCAFB2G	6AF2G
26PCFFB2G	6FF2G
26PCFFM2G	6FF2G
26PCBFD2G	6BF2G
26PCCFD2G	6CF2G
26PCGFJ2G	6GF2G
26PCBFS2G	6BF2G
26PCGFB2G	6GF2G
26PCCFH2G	6CF2G

- NOTES**
- SPAN IS THE ALGEBRAIC DIFFERENCE BETWEEN OUTPUT AT MAXIMUM RATED OPERATING PRESSURE AND OUTPUT AT 0 PSI
 - TEMPERATURE ERROR IS CALCULATED WITH RESPECT TO 25°C
 - INPUT MEDIA LIMITED ONLY TO THOSE MATERIALS THAT WILL NOT ATTACK SILICON, THE HOUSING MATERIAL OR SEAL MATERIAL
 - TERMINALS ARE PLATED FOR SOLDERING (LIMIT SOLDERING TO 315°C FOR 10 SECONDS MAXIMUM)
 - PIN 1 IS IDENTIFIED BY NOTCH IN LEAD
 - SENSOR IS OPERATIONAL OVER VACUUM PRESSURE RANGE
 - RATIOMETRIC TO SUPPLY VOLTAGE#
 - M5 THREADED PRODUCT:
RECOMMENDED TORQUE FOR SEALING: 4 IN-LBS
DO NOT EXCEED 6 IN-LBS OF TORQUE
SIZE 007 O-RING
O-RING COUNTERBORE DIMENSIONS:
Ø.300±.003 X ∇.040
 - 1/4-28 UNF THREADED PRODUCT:
RECOMMENDED TORQUE FOR SEALING: 8 IN-LBS
DO NOT EXCEED 12 IN-LBS OF TORQUE
SIZE 009 O-RING
O-RING COUNTERBORE DIMENSIONS:
Ø.360±.003 X ∇.040±.002
 - CATALOG LISTING AND DATE CODE HERE. ALTERNATE FORMAT OF CATALOG LISTING BRAND IS THE ENTIRE CATALOG LISTING
 - FOR CATALOG LISTINGS WITH EPDM SEALS ONLY

METRIC	INCHES
0.38	.015
0.51	.020
0.76	.030
1.02	.040
1.3	.05
1.93	.076
2.0	.08
3.6	.14
5.1	.20
6.4	.25
7.9	.31
8.4	.33
8.9	.35
9.1	.36
9.7	.38
12.7	.50
15.2	.60
16.0	.63
16.3	.64
18.8	.74
20.4	.80
21.6	.85
21.8	.86
22.1	.87
23.9	.94
24.9	.98
26.7	1.05
27.9	1.10
28.2	1.11
30.2	1.19

CIRCUIT DIAGRAM



OUTPUT "A" INCREASES AS P2 PRESSURE INCREASES
OUTPUT "B" DECREASES AS P2 PRESSURE INCREASES

SCALE	THIRD ANGLE PROJECTION
3 : 1	DO NOT SCALE PRINT
UNLESS OTHERWISE SPECIFIED TOLERANCES ARE	
ONE PLACE	(.0) +.030
TWO PLACE	(.00) +.015
THREE PLACE	(.000) +.005
ANGLES	+/-
WEIGHT	2 OZ.