

5

4

3

2

1

DRAWING NO.  
27-8100-CUST

REVISIONS

OFFICAL RELEASE

01

2009.09.0  
8.09.23.09  
Betty +0800G

08-25-09

T

W

B

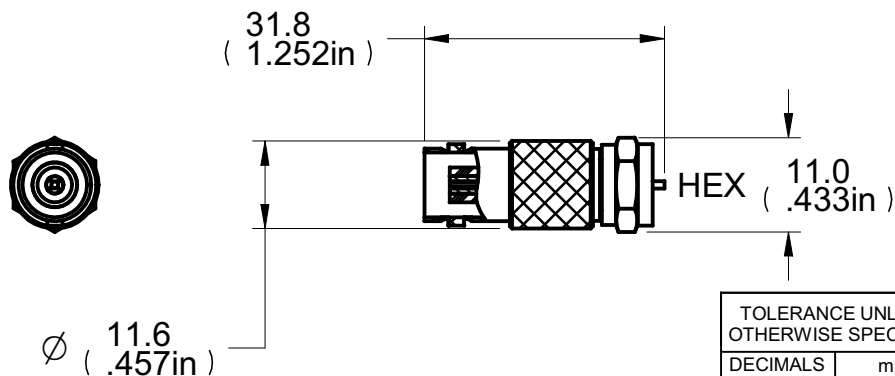
Y

T

Description: BNC Jack to F Plug Adapter  
 Part No: 27-8100  
 Application: Adapter  
 Crimp Tool: N/A  
 Impedance: 75 Ohms  
 Fequency Range: 0-500 MHz  
 Material: Body Brass Nickel Plated  
 Contact Brass Gold Plated  
 Insulator Derlin  
 Crimp Sleeve Brass Nickel Plated  
 Coupling Nut Zinc Nickel Plated  
 RoHS Compliance: Yes  
 Technical Detail: Refer to Emerson Document P/N 27-0000&29-0000



受控 CONTROLLED DOCUMENT					
编号 P/N	27-8100-CUST	版本 Rev	01	日期 Rel'd Date	SEP 14, 09



**DIM OUTLINE**

TOLERANCE UNLESS OTHERWISE SPECIFIED		DRAWN BY TERRY.W	DATE 08-25-09
DECIMALS	mm	CHECKED BY TERRY.W	DATE 08-25-09
X	± 0.5	APPROVED BY THOMAS	DATE 08-25-09
X.X	± 0.3	U/M	mm
X.XX	± 0.1		
ANGLES	± 0.5°		

CUSTOMER COPY



TITLE  
BNC JACK TO F PLUG ADAPTER

THIS DRAWING WAS PRODUCED BY COMPUTER, DO NOT SCALE DRAWING OR UPDATE MANUALLY.

SHEET  
1 OF 1

DRAWING NO.  
27-8100-CUST

SIZE  
A

5

4

3

2

1