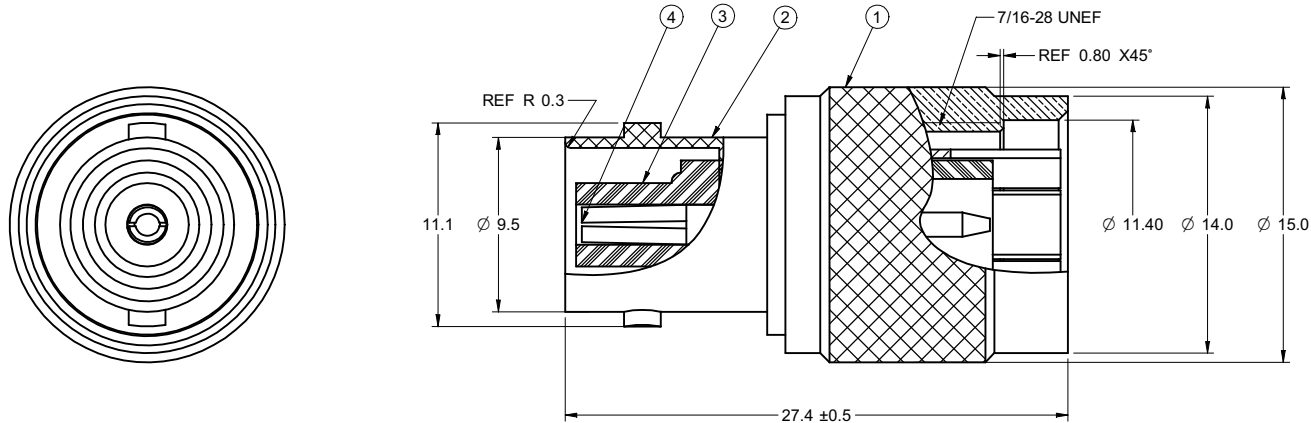
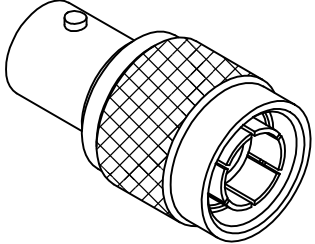


	5		4		3		2		1
PART NUMBER	ITEM ① NUT	ITEM ② BODY	ITEM ③ INSULATOR	ITEM ④ CONTACT					
27-8250	BRASS NICKEL PLATED	ZINC NICKEL PLATED	DELTRIN	BERLLIUM GOLD PLATED					

DRAWING NO. 27-8250				
REVISIONS				
01	OFFICIAL RELEASE			2009.09.0
08-18-09	L	L	T	H
				Betty 08/18/09 3:33 PM + 08:00



受控 CONTROLLED DOCUMENT					
编号 P/N	27-8250	版本 Rev	01	日期 Rel'd Date	SEP 14, 09



- NOTES:
1. IMPEDANCE: 50 OHMS NOMINAL
 2. FREQUENCY RANGE: 0-4 GHz
 3. RECOMMENDED TEMPERATURE RANGE: -55 °C TO +85 °C
 4. TECHNICAL DETAIL: REFER TO EMERSON DOCUMENT P/N 27-0000

TOLERANCE UNLESS OTHERWISE SPECIFIED		DRAWN BY LINDA.WU	DATE 08-18-09
DECIMALS	INCH	CHECKED BY LINDA.WU	DATE 08-18-09
X	+ 0.5	APPROVED BY THOMAS	DATE 08-18-09
X.X	+ 0.2	U/M	INCH
X.XX	+ 0.1		
ANGLES	+ 0.5°		

EMERSON
Network Power

Connectivity Solutions

TITLE
CPAD300 TNC(M)-BNC(F) ADAPTER

THIS DRAWING WAS PRODUCED BY COMPUTER, DO NOT SCALE DRAWING OR UPDATE MANUALLY.		SHEET 1 OF 1	DRAWING NO. 27-8250	SIZE C
---	--	-----------------	------------------------	-----------

THIS DRAWING TO BE INTERPRETED
PER ANSI Y 14.5M - 1994

COMPANY CONFIDENTIAL