

5

4

3

2

1

D



Description: BNC Male T-On RA RG58  
 Part No: 27-9036  
 Application: For RG58Cable  
 Crimp Tool: N/A  
 Impedance: 50 Ohm  
 Frequency Range: 0-4 GHz  
 Material: Body I Brass Nickel plated  
           Body II Brass Nickel plated  
           Coupling Nut Brass Nickel plated  
 RoHS Compliance: Yes  
 Technical Detail: Refer to Emerson Document P/N 27-0000

DRAWING NO.  
27-9036-CUST

## REVISIONS

01		OFFICIAL RELEASE			
10-21-09	Y	U	Y	T	H
02		CHANGE DEMENSION 29.4 TO 27.05 CHANGE DEMENSION $\Phi$ 4.1 TO $\Phi$ 4.7 CHANGE BODY AND NUT MATERIAL FROM ZINC TO BRASS			
07-01-11	L	H	M		ECO-11-0127

D

C

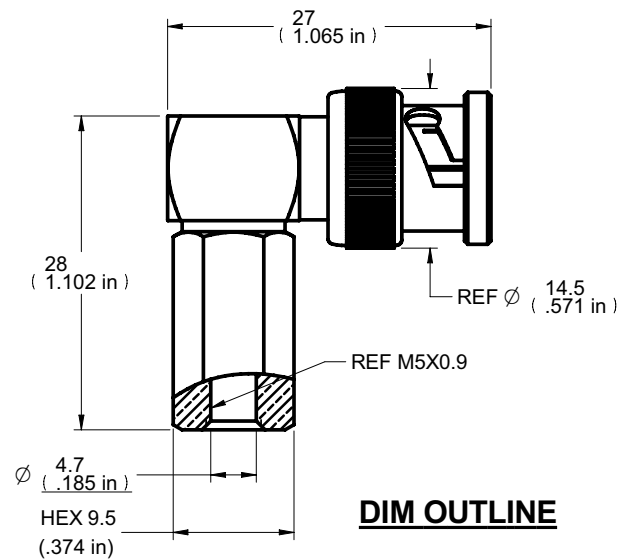
C

B

B

A

A



## 受控 CONTROLLED DOCUMENT

编号 P/N	版本 Rev	日期 Rel'd Date
27-9036-CUST	02	Aug8,11

## CUSTOMER COPY

TOLERANCE UNLESS OTHERWISE SPECIFIED		DRAWN BY	DATE
DECIMALS	mm	Wencan Li	07-01-11
X	± 0.5	CHECKED BY	DATE
X.X	± 0.3	Hu Yuge	07-01-11
X.XX	± 0.1	APPROVED BY	DATE
ANGLES	± 0.5°	Ma Lin	07-01-11
	U/M	mm	



TITLE  
BNC MALE T-ON RA RG58

THIS DRAWING WAS PRODUCED BY COMPUTER,  
DO NOT SCALE DRAWING OR UPDATE MANUALLY.

SHEET 1 OF 1  
DRAWING NO. 27-9036-CUST  
SIZE A

5

4

3

2

1