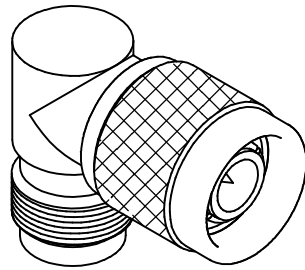
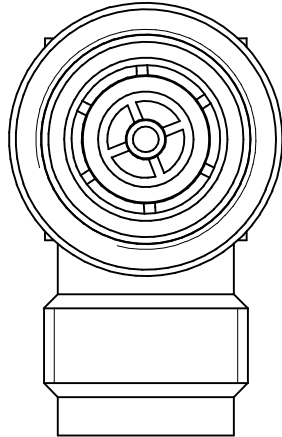
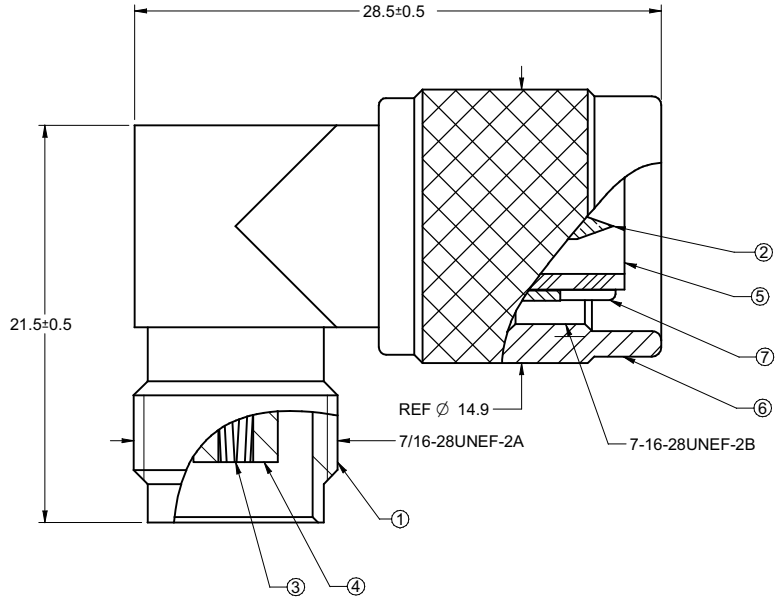


| | | | | | | | | | | |
|-------------|-----------------------------|-----------------------|-----------------------------|-----------------------|-----------------------|-----------------------------|-----------------------------|---|--|---|
| | 5 | | | 4 | | 3 | | 2 | | 1 |
| PART NUMBER | ITEM ① BODY | ITEM ② CONTACT 1 | ITEM ③ CONTACT 2 | ITEM ④ INSULATOR 1 | ITEM ⑤ INSULATOR 2 | ITEM ⑥ CUPLING NUT | ITEM ⑦ OUT CONTACT | | | |
| 27-9068 | ZINC ALLOY NICKEL PLATED | BRASS Ni/Au PLATED | PHOS BRONZE Ni/Au PLATED | DELIN | DELIN | ZINC ALLOY NICKEL PLATED | ZINC ALLOY NICKEL PLATED | | | |

| | |
|------------------------|--|
| DRAWING NO. 27-9068 | |
| REVISIONS | |
| 01 | OFFICIAL RELEASE 08-20-09 |
| | 2009.09.15 11:04:33 +0800C <i>Betty</i> |



NOTES:

1. TECHNICAL DETAIL: REFER TO EMERSON DOCUMENT P/N 28-0000

| | | | | | |
|------------------------|---------|-----------|----|------------------|------------|
| 受控 CONTROLLED DOCUMENT | | | | | |
| 编号 P/N | 27-9068 | 版本 Rev | 01 | 日期 Rel'd Date | SEP 17, 09 |

| | | | |
|--------------------------------------|--------|------------------------|------------------|
| TOLERANCE UNLESS OTHERWISE SPECIFIED | | DRAWN BY IVON.WANG | DATE 08-20-09 |
| DECIMALS | mm | CHECKED BY LINDA.WU | DATE 08-20-09 |
| X | + 0.5 | APPROVED BY THOMAS | DATE 08-20-09 |
| X.X | + 0.2 | | |
| X.XX | + 0.1 | | |
| ANGLES | + 0.5° | U/M | mm |

| | |
|---|------------------------|
|  cinch <small>CONNECTIVITY SOLUTIONS</small> <small>a bel group</small> | |
| TITLE TNC RT ANGLE ADAPTER | |
| SHEET 1 OF 1 | DRAWING NO. 27-9068 |
| SIZE C | |

THIS DRAWING WAS PRODUCED BY COMPUTER, DO NOT SCALE DRAWING OR UPDATE MANUALLY.

THIS DRAWING TO BE INTERPRETED PER ANSI Y 14.5M - 1994

COMPANY CONFIDENTIAL