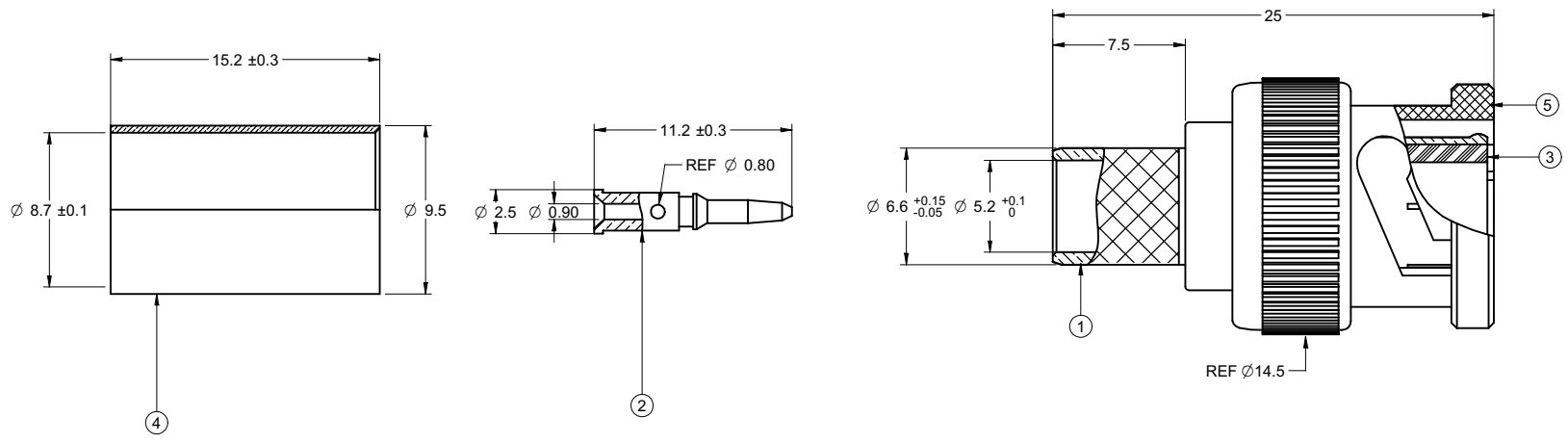
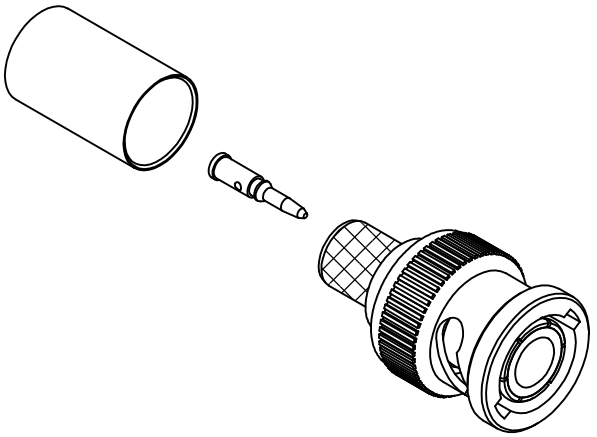


	5		4		3		2		1
PART NUMBER	ITEM ① BODY	ITEM ② CONTACT	ITEM ③ INSULATOR	ITEM ④ CRIMP SLEEVE	ITEM ⑤ CUPLING NUT				
27-9104	BRASS NICKEL PLATED	BRASS GOLD PLATED	DELTRIN	BRASS NICKEL PLATED	ZINC NICKEL PLATED				

DRAWING NO. 27-9104				
REVISIONS				
01	OFFICIAL RELEASE			2009.09. 08 09.34.35 +08'00
				<i>Betty</i>



受控 CONTROLLED DOCUMENT				
编号 P/N	27-9104	版本 Rev	01	日期 Rel'd Date
				SEP 14,09



NOTES:

1. IMPEDANCE: 50 OHMS NOMINAL
2. FREQUENCY RANGE: 0-4 GHz
3. CABLE ACCEPTABILITY: BELDEN 8281
4. CABLE RETENTION: 20 lbs MIN
5. RECOMMENDED TEMPERATURE RANGE: -55 °C TO +85 °C
6. FURTHER TECHNICAL DETAIL: REFER TO EMERSON DOCUMENT P/N 27-0000

THIS DRAWING TO BE INTERPRETED
PER ANSI Y 14.5M - 1994

COMPANY CONFIDENTIAL

TOLERANCE UNLESS OTHERWISE SPECIFIED		DRAWN BY LINDA.WU	DATE 08-18-09
DECIMALS	mm	CHECKED BY LINDA.WU	DATE 08-18-09
X	+ 0.5	APPROVED BY THOMAS	DATE 08-18-09
X.X	+ 0.2	U/M	mm
X.XX	+ 0.1		
ANGLES	+ 0.5°		

EMERSON Network Power		Connectivity Solutions	
TITLE BNC 3PC CRIMP FOR 8281			
SHEET 1 OF 1	DRAWING NO. 27-9104	SIZE C	

THIS DRAWING WAS PRODUCED BY COMPUTER,
DO NOT SCALE DRAWING OR UPDATE MANUALLY.