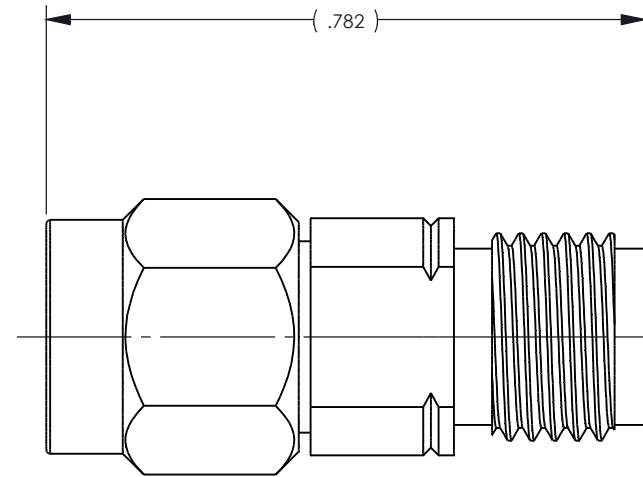


This document, including the design, configuration and mechanical features revealed herein are the sole, confidential and proprietary property of Winchester Interconnect. Reproduction or use thereof, in whole or part, is prohibited without the prior written consent of Winchester Interconnect.

REV	DESCRIPTION	DATE	APPROVED
A	ECN # 2536	3/26/18	TC
B	ECO #11081	9/12/19	RYOUNG
C	ECO -12390	5/12/20	ASNZ



MATERIALS:

- STAINLESS STEEL 303, PER ASTM A484 AND A582
- BERYLLIUM COPPER PER ASTM-B-196.
- ULTEM 1000

FINISH:

- CENTER CONDUCTORS, AND SOLDER COMPONENTS SHALL BE PLATED PER MIL-DTL-45204D TYPE II, CLASS 1 OVER NICKEL PLATE PER AMS-QQ-N-290.
- BODY AND COMPONENTS SHALL BE PASSIVATED PER ASTM A380.

ELECTRICALS:

- FREQUENCY RANGE: DC-40 GHz
- VSWR: 1.25:1 MAX TO 40 GHz
- INSERTION LOSS: .05 $\sqrt{f(\text{GHz})}$ dB

UNLESS OTHERWISE SPECIFIED:
DIMENSIONS ARE IN INCHES [MM]

TOLERANCES:
.X[X]: ±0.1[3]
.XX[X.X]: ±0.01[0.3]
.XXX[X.XX]: ±0.005[0.13]
ANGLES: ±2.0°

DRAWN	DATE
JVK	3/26/18
APPR.	DATE
TC	3/26/18
APPR.	DATE
APPR.	DATE



Winchester Winchester RF
3950 Dow Road
Interconnect™ Melbourne, FL 32934

TITLE:
**2.4mm JACK TO
2.9mm PLUG**

THIRD ANGLE PROJECTION	SIZE A	DWG. NO. 27-924-0000-92	REV C
	SH 1 OF 1		