

NOTES:

Materials: SST. corrosion-resistant, 303, per ASTM A484 and A582.
 Beryllium Copper per ASTM-B-196, QQ-C-530
 Oxide-Noryl (tm), MIL-P-46129
 Silicone per ZZ-R-765 GR. 65-75, CL 2B

Finish: Center Conductors and solder components shall be gold plated per MIL-G-45204 Type II, Class 1 over Nickel plate per QQ-N-290.
 Body and Body components shall be passivated per ASTM A380.

Nominal Impedance: 50 OHMS

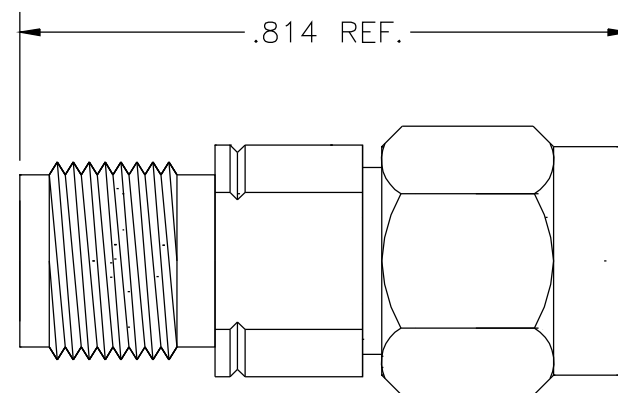
Frequency: DC-40 GHz

VSWR: 1.25:1 TO 40 GHz

Mechanical: Connector durability: 500 cycles minimum
 Recommended Mating Torque: 8 to 10 in. lbs.

27-924-0000-93

CONNECTOR MEETS GENERAL ELECTRICAL, MECHANICAL AND ENVIRONMENTAL REQUIREMENTS OF MIL-PRF-39012, AND MIL-STD-348B



THIS DOCUMENT, INCLUDING THE DESIGN, CONFIGURATION AND MECHANICAL FEATURES REVEALED HEREIN ARE THE SOLE, CONFIDENTIAL AND PROPRIETARY PROPERTY OF WINCHESTER INTERCONNECT. REPRODUCTION OR USE THEREOF, IN WHOLE OR PART, IS PROHIBITED WITHOUT THE PRIOR WRITTEN CONSENT OF WINCHESTER INTERCONNECT.

LTR	DESCRIPTION	DATE	APPR.	DRAWN JVK	CHECKED	USED ON 27-924-0000-93	C:\Users\jvankirk\Desktop\logo.jpg	
-	REL PER ECN #2551	4/18		APPR.	SCALE			
				UNLESS OTHERWISE SPECIFIED: 1. REMOVE ALL BURRS 2. BREAK ALL CORNERS & EDGES .005 R. MAX 3. CHAMFER 1st & LAST THREADS 45° 4. SURFACE FINISHED 32✓ UNLESS OTHERWISE SPECIFIED. 5. DIAMETERS ON COMMON CENTERS TO BE CONCENTRIC WITHIN .002 T.I.R. 6. ALL DIMENSIONS ARE AFTER PLATING.			MATERIAL	TITLE 2.4mm JACK TO 2.9mm PLUG
				DIMENSIONS ARE IN INCHES TOLERANCES			FINISH	
				DECIMALS .X ±.030 .XX ±.010 .XXX ±.005	FRACTIONAL ± 1/64	ANGULAR .X° ±1°0' .X°X' ±15'	SIZE A	FSCM NO. OHMO1
						SHEET 1	DWG. NO. 27-924-0000-93	