

5

4

3

2

1

受控 CONTROLLED DOCUMENT					
编号 P/N	26-9294-CUST	版本 Rev	01	日期 Rel'd Date	SEP 17,09



Description: BNC Goalpost "T" Adaptor
 Part No: 27-9294
 Application: Adaptor
 Crimp Tool: N/A
 Impedance: 50 Ohm
 Frequency Range: 0-4 GHz
 Material: Body Brass Nickel Plated
 Nut Zinc Nickel Plated
 Insulator PTFE
 Contact Brass Gold Plated

RoHS Compliance: Yes

Technical Detail: N/A

DRAWING NO.
27-9294

REVISIONS

01	OFFICIAL RELEASE				2009.09.1
	08-05-09	I	W	H	Betty 610.37.34 + 08 00'

D

D

C

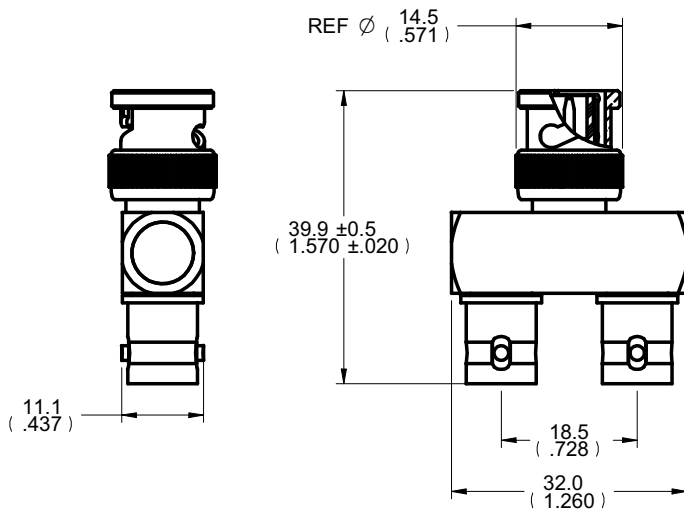
C

B

B

A

A



DIM OUTLINE

CUSTOMER COPY

TOLERANCE UNLESS OTHERWISE SPECIFIED		DRAWN BY IVON.W	DATE 08-05-09
DECIMALS	mm	CHECKED BY IVON.W	DATE 08-05-09
X	± 0.5	APPROVED BY THOMAS	DATE 08-05-09
X.X	± 0.3	U/M	mm
X.XX	± 0.1		
ANGLES	± 0.5°		

EMERSON
Network Power

Connectivity Solutions

TITLE
GOALPOST T" ADAPTOR""

THIS DRAWING WAS PRODUCED BY COMPUTER, DO NOT SCALE DRAWING OR UPDATE MANUALLY.			SHEET 1 OF 1	DRAWING NO. 27-9294	SIZE A
---	--	--	-----------------	------------------------	-----------

5

4

3

2

1