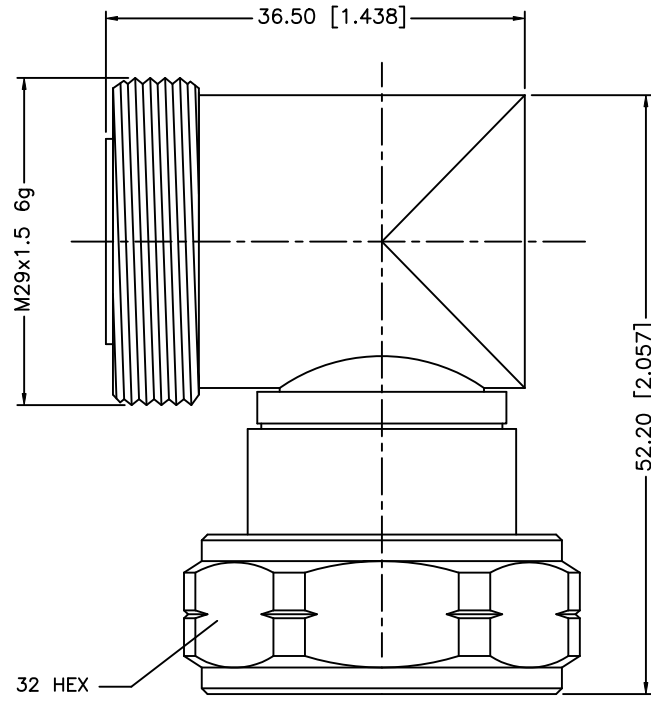


REV.	DATE	ECR NO.	DESCRIPTION
A	05/21/02	-	MODIFY PART DESCRIPTION
B	09/29/08	-	REVISE BODY DESIGN



8					<small>UNLESS OTHERWISE SPECIFIED DIMENSIONS ARE IN MILLIMETERS. DIMENSIONS IN [] ARE IN INCHES AND FOR CUSTOMER REFERENCE ONLY.</small> <small>UNLESS OTHERWISE SPECIFIED TOLERANCES FOR MILLIMETERS ARE:</small> 0.5 - 8mm ± 0.20mm 8 - 30mm ± 0.40mm 30 - 120mm ± 0.50mm <small>UNLESS OTHERWISE SPECIFIED TOLERANCES FOR INCHES ARE:</small> .020 - .315 = ± 0.007" .315 - 1.180 = ± 0.015" 1.180 - 4.724 = ± 0.020"	APPROVALS	DATE	<h1 style="color: blue;">Amphenol Connex</h1>					
7						DRAWN	GRS					09/29/08	PART DESCRIPTION 7/16 FEMALE TO 7/16 MALE R/A ADAPTER
6						CHECKED			PART NO. 272150				
5						ISSUED							DWG. NO. 272150.DWG
4						SHEET	1 OF 1		REV.	B	SIZE	A	
3	CONTACT PIN	BER. COPPER	GOLD	1	DO NOT SCALE DRAWING		CAD FILE		C:/272/272150.DWG				
2	INSULATOR	PTFE	NATURAL	1									
1	BODY	BRASS	NEXCOTE	1									