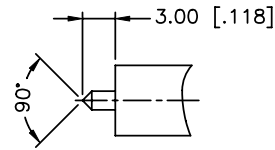
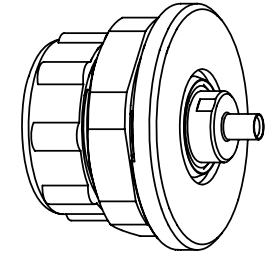


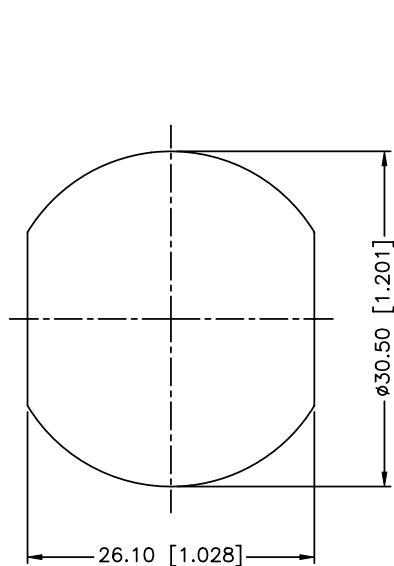
REV.	DATE	ECR NO.	DESCRIPTION
A	04/16/12	2305	ADD D-FLAT IDENTIFICATION, UPDATE DRAWING FORMAT



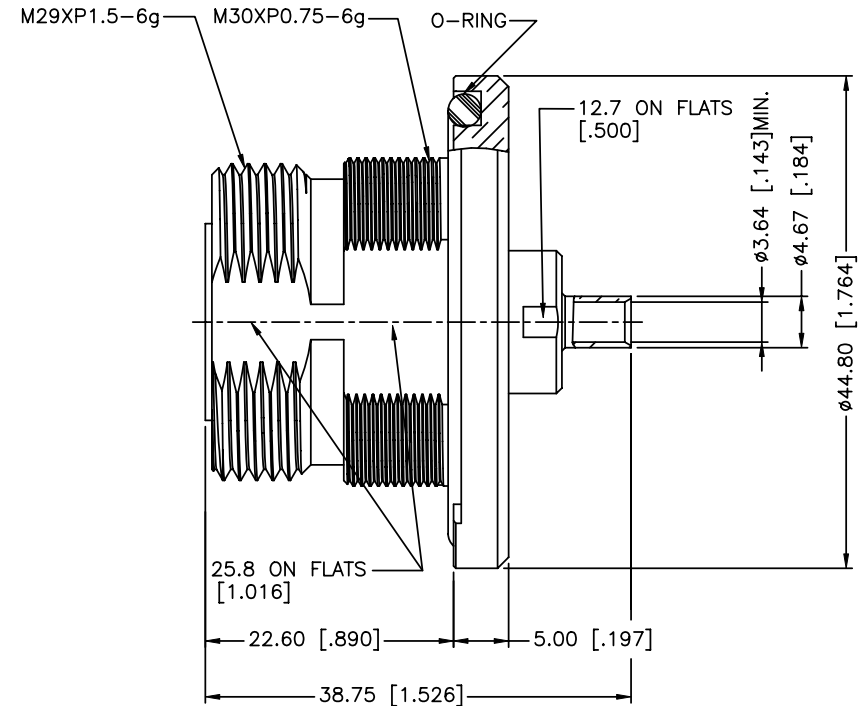
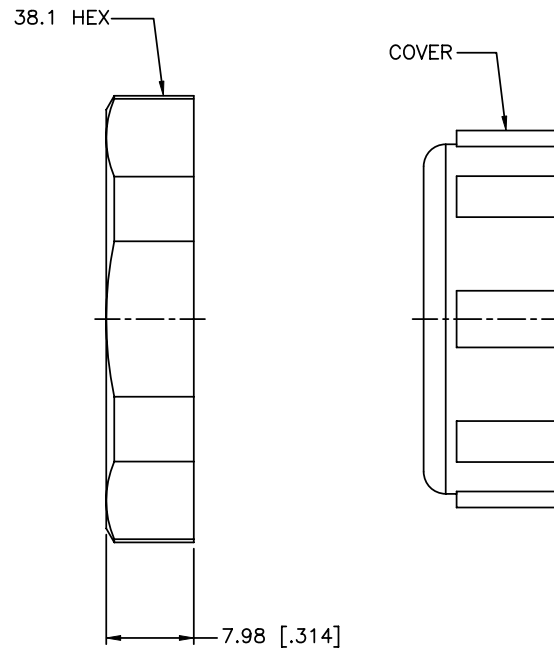
RECOMMENDED
CABLE STRIPPING DIM'S



SCALE 1.000



RECOMMENDED
MOUNTING HOLE



8	NUT-HEX	BRASS	SILVER	1
7	COVER	PE	BLUE	1
6	O-RING	N.B.R.	BLACK	1
5	BARREL	BRASS	SILVER	1
4	CONTACT PIN	BERYLLIUM COPPER	SILVER	1
3	CONTACT PIN	BERYLLIUM COPPER	SILVER	1
2	INSULATOR	PTFE	NATURAL	1
1	BODY	BRASS	SILVER	1
DESCRIPTION	MATERIAL	FINISH	QTY	

UNLESS OTHERWISE SPECIFIED DIMENSIONS ARE IN MILLIMETERS. DIMENSIONS IN [] ARE IN INCHES AND FOR CUSTOMER REFERENCE ONLY.

UNLESS OTHERWISE SPECIFIED TOLERANCES FOR MILLIMETERS ARE:
0.5 - 8mm ± 0.20mm
8 - 30mm ± 0.40mm
30 - 120mm ± 0.50mm

UNLESS OTHERWISE SPECIFIED TOLERANCES FOR INCHES ARE:
.020 - .315 = ± 0.007"
.315 - 1.180 = ± 0.015"
1.180 - 4.724 = ± 0.020"

DO NOT SCALE DRAWING

APPROVALS		DATE
DRAWN	R.MAO	04/16/12
CHECKED		
ISSUED		
SHEET	1 OF 1	
CAD FILE	C:/CONNEX/272158-10.DWG	

Amphenol Connex			
PART DESCRIPTION			
7/16 DIRECT SOLDER BULKHEAD JACK (FOR .141" SEMI-RIGID CABLE)			
PART NO.			
272158-10			
DWG. NO.	272158-10.DWG	REV.	A
SIZE	A	SCALE	NA