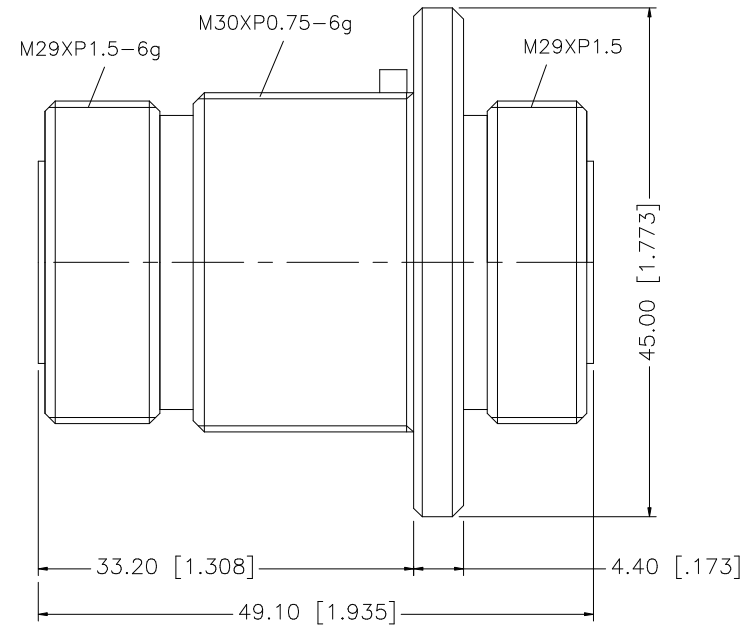
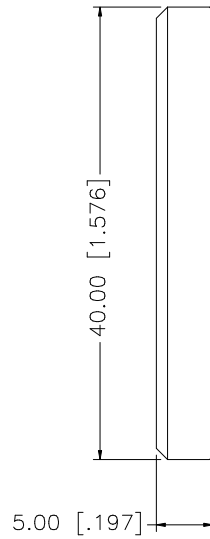
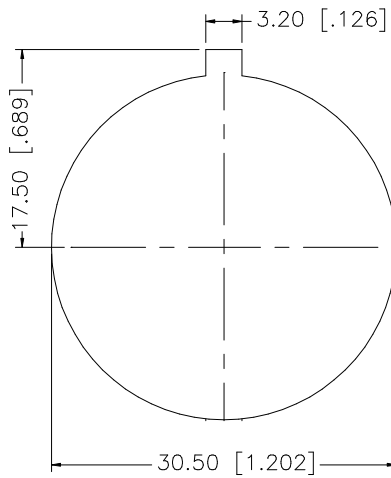


REV.	DATE	DESCRIPTION
NC	10/28/99	INITIAL RELEASE
A	01/31/07	UPDATE DRAWING FORMAT



QTY	FINISH	MATERIAL	DESCRIPTION
1	NEXCOTE	BRASS	BODY
1	NATURAL	TEFLON	INSULATOR
1	SILVER	BER. COPPER	CONTACT PIN
1	NEXCOTE	BRASS	NUT
1	BLUE	PE	COVER

UNLESS OTHERWISE SPECIFIED DIMENSIONS ARE IN MILLIMETERS. DIMENSIONS IN [] ARE IN INCHES AND FOR CUSTOMER REFERENCE ONLY.

UNLESS OTHERWISE SPECIFIED TOLERANCES FOR MILLIMETERS ARE:
0.5 - 8mm ± 0.20mm
8 - 30mm ± 0.40mm
30 - 120mm ± 0.50mm

UNLESS OTHERWISE SPECIFIED TOLERANCES FOR INCHES ARE:
.020 - .315 = ± 0.007"
.315 - 1.180 = ± 0.015"
1.180 - 4.724 = ± 0.020"

DO NOT SCALE DRAWING

APPROVALS	DATE
DRAWN G.R.S.	01/31/07
CHECKED	
ISSUED	
SHEET 1 OF 1	
CAD FILE	C:/272/272174.DWG

Amphenol Connex

PART DESCRIPTION	
7/16 FEMALE TO FEMALE BULKHEAD ADAPTER	
PART NO.	272174
DWG. NO.	272174.DWG
REV.	A
SIZE	A
SCALE	NA