

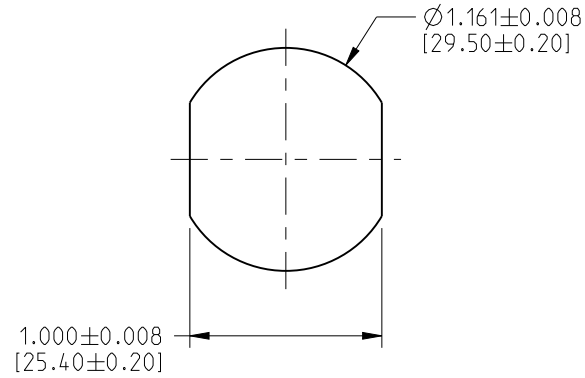
NOTE:

1. ELECTRIC PERFORMANCE  
 IMPEDANCE ( $\Omega$ ) : 50  
 FREQUENCY RANGE : DC-6 GHz  
 VSWR :  $\leq 1.065$  (DC-3GHz)  
 :  $\leq 1.10$  (3-6GHz)  
 INSERT LOSS (dB) : < 0.1  
 PIM (dBc) : < -160 (2X43dBm)  
 INSULATION RESISTANCE (M $\Omega$ ) : 10000  
 PROOF VOLTAGE (V) : 3000  
 CONDUCTOR RESISTANCE (m $\Omega$ ) : OUTER CONDUCTOR <0.2  
 INNER CONDUCTOR <0.8

- II. MECHANICAL PERFORMANCE  
 MECHANICAL WEAR : 500

- III. MATERIAL AND PLATING  
 OUTER CONDUCTOR : BRASS PLATING COPPER-TIN-ZINC 2 $\mu$ m  
 INNER CONDUCTOR : SPRING COPPER PLATING Ag 5 $\mu$ m  
 INSULATION : PTFE  
 BULKHEAD NUT : BRASS COPPER-TIN-ZINC 2 $\mu$ m

- IV. ENVIRONMENT  
 TEMP RANGE : -55°C TO +155°C  
 WEATHER STANDARD : IP67  
 ROHS COMPLIANT



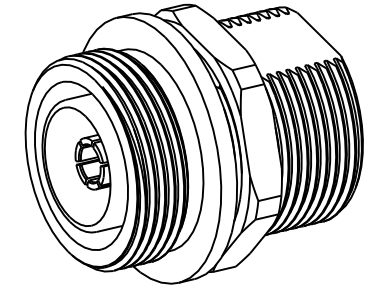
RECOMMENDED MOUNTING HOLE DIMENSIONS

|    |                 |               |              |     |
|----|-----------------|---------------|--------------|-----|
| 4  | NUT             | BRASS         | WHITE BRONZE | 1   |
| 3  | INNER CONDUCTOR | SPRING COPPER | SILVER       | 1   |
| 2  | INSULATOR       | PTFE          | NATURAL      | 1   |
| 1  | OUTER CONDUCTOR | BRASS         | WHITE BRONZE | 1   |
| NO | DESCRIPTION     | MATERIAL      | FINISH       | QTY |

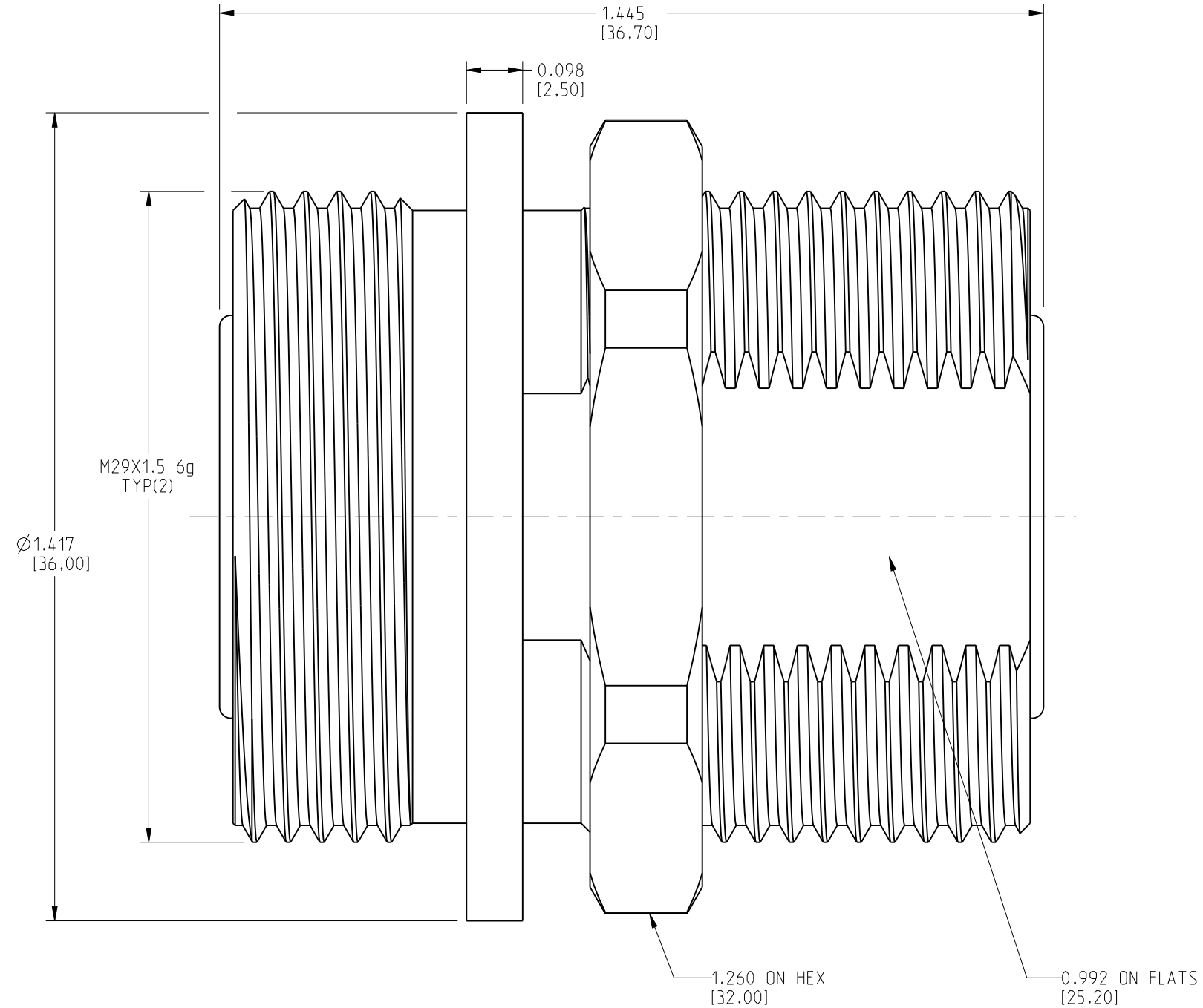
UNLESS OTHERWISE SPECIFIED, DIMENSIONS ARE IN INCHES AND TOLERANCES ARE:  
 2 PLACE DECIMAL 3 PLACE DECIMAL ANGLER  
 $\pm .015$  (0,381 mm)  $\pm .005$  (0,127 mm)  $\pm 1^\circ$

NOTICE - These drawings, specifications, or other data (1) are, and remain the property of Amphenol Corp. (2) must be returned upon request; and (3) are confidential and not to be disclosed to any person other than those to whom they are given by Amphenol Corp. The furnishing of these drawings, specifications, or other data by Amphenol Corp., or to any other person to anyone for any purpose is not to be regarded by implication or otherwise in any manner licensing, granting rights or permitting such holder or any other person to manufacture, use or sell any product, process or design, patented or otherwise, that may in any way be related to or disclosed by said drawings, specifications, or other data.

|                   |     |                 |           |     |      |
|-------------------|-----|-----------------|-----------|-----|------|
| 272301            |     | REVISIONS       |           |     |      |
| DRAWING NO.       | REV | DESCRIPTION     | DATE      | ECO | APPR |
| THIRD ANGLE PROJ. | A   | RELEASE TO MFG. | 01-Oct-12 | --  | AAP  |



SCALE 1.000



|                       |                          |                   |   |                       |              |
|-----------------------|--------------------------|-------------------|---|-----------------------|--------------|
| MATERIAL<br>SEE NOTES | DRAWN<br>A ARUN PRABU    | DATE<br>01-Oct-12 | TITLE<br>7/16 FEMALE TO FEMALE<br>BULKHEAD ADAPTER<br>LOW PIM | Amphenol<br>Connex    |              |
|                       | ENGINEER<br>A ARUN PRABU | DATE<br>01-Oct-12 |   | SCALE: 4.0:1          | SHEET 1 OF 1 |
| REFERENCE             | APPROVED                 | DATE              | DWG SIZE<br>B   | DRAWING NO.<br>272301 | REV<br>A     |
|                       | CAD FILE                 |                   |   |                       |              |