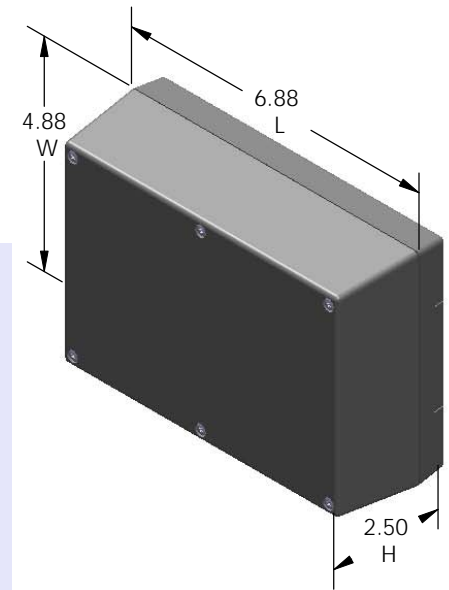
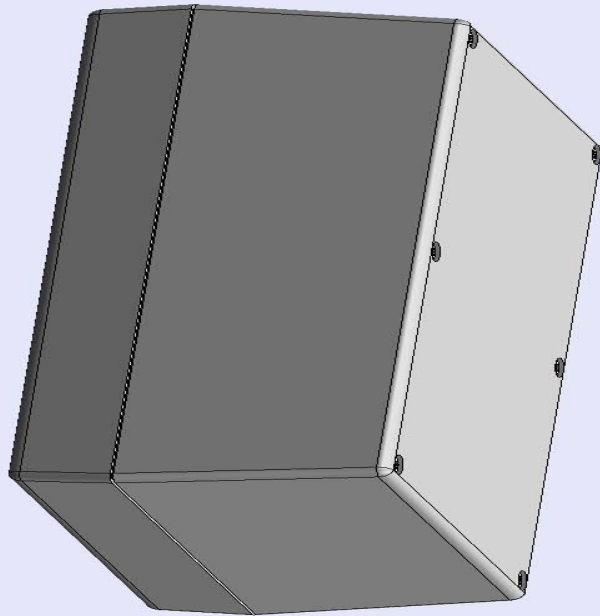


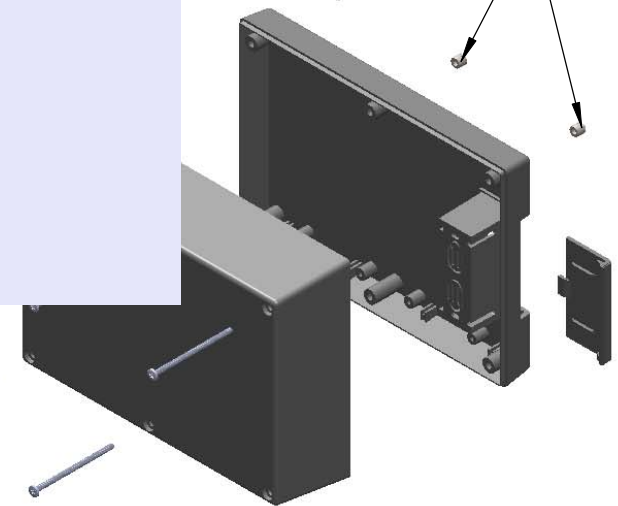
# SERPAC 273R (3D exploded)

Electronic Enclosures

- Click on image to show toolbar. Use  to Play/Pause Animation.
- Left click and drag on image to move 3D model.



Threaded inserts only have to be assembled the first time.



- a) Zoom in & out with center wheel.
- b) Pause at any moment to view and or print views.
- c) Change the views to ortho and section views if needed from the Views pull down menu.
- d) Explore options included in the tool bar like: Views, Transparency of model, Lighting type, etc.

| PART NO. | DESCRIPTION (Included) | ACCESSORIES (Optional) |                               |
|----------|------------------------|------------------------|-------------------------------|
| 7-3R     | TOP                    | PART NO.               | DESCRIPTION                   |
| 27       | BOTTOM                 | 50                     | Non-skid Feet                 |
| 1025     | Battery Cover          | 379                    | Prototype grid board (bottom) |
| 6019     | 4-40 Screws (6)        | 479                    | Prototype clad board (bottom) |
| 6102     | Threaded Inserts (6)   |                        |                               |

Notes: Enclosure weight .51 lbs / 233 gm

- 1) Enclosure meets or exceeds IP40 and NEMA 1
- 2) Circuit Board drawings can be download at:

TOP:  
[http://www.serpac.com/Accessories/CircuitBoard/drawings/X73\\_CB.pdf](http://www.serpac.com/Accessories/CircuitBoard/drawings/X73_CB.pdf)

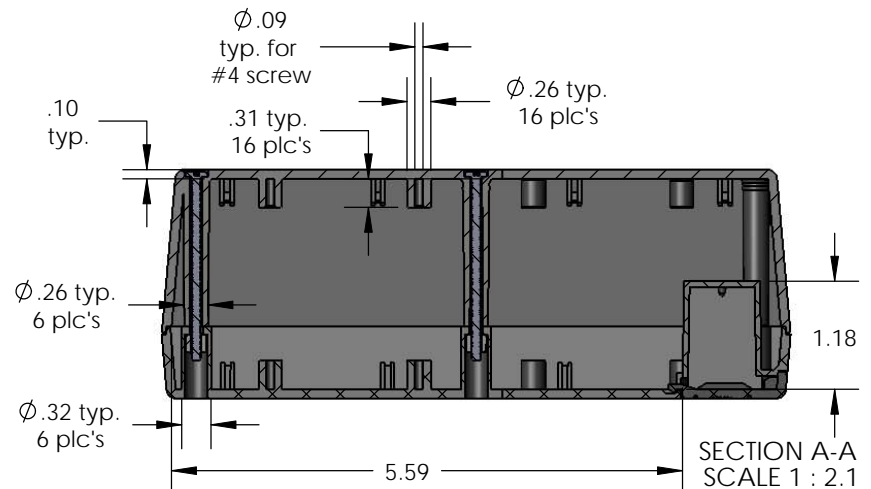
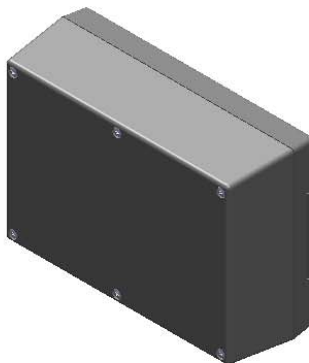
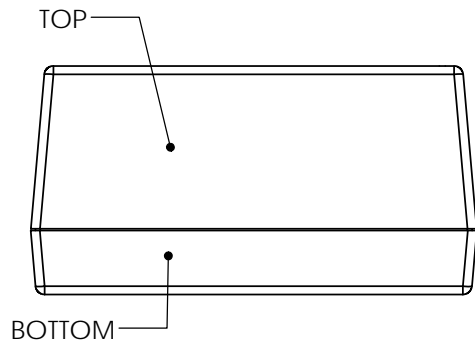
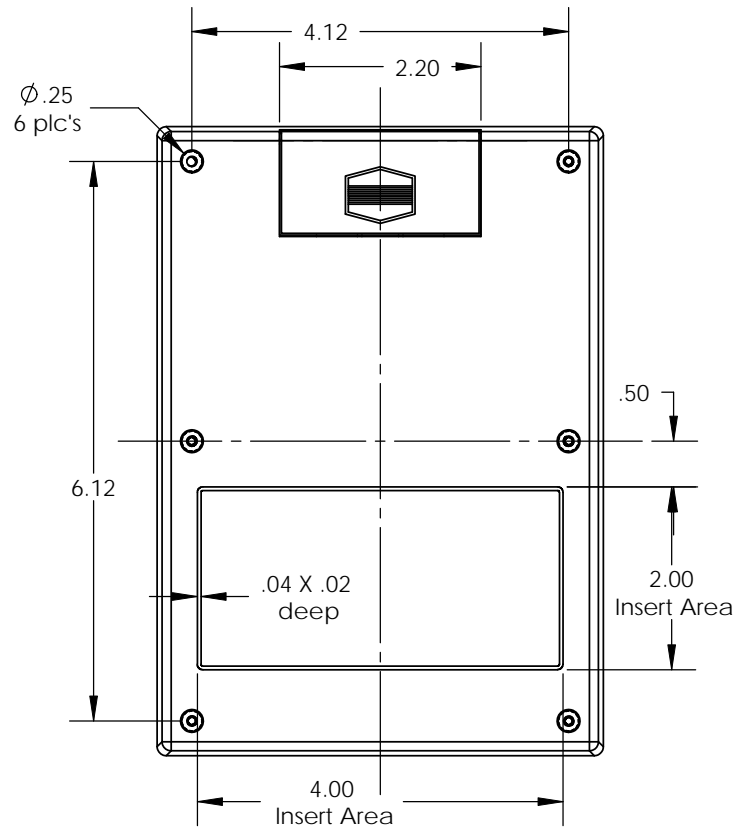
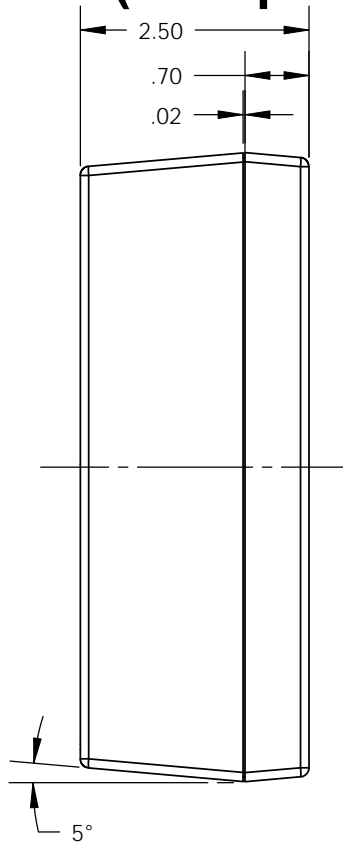
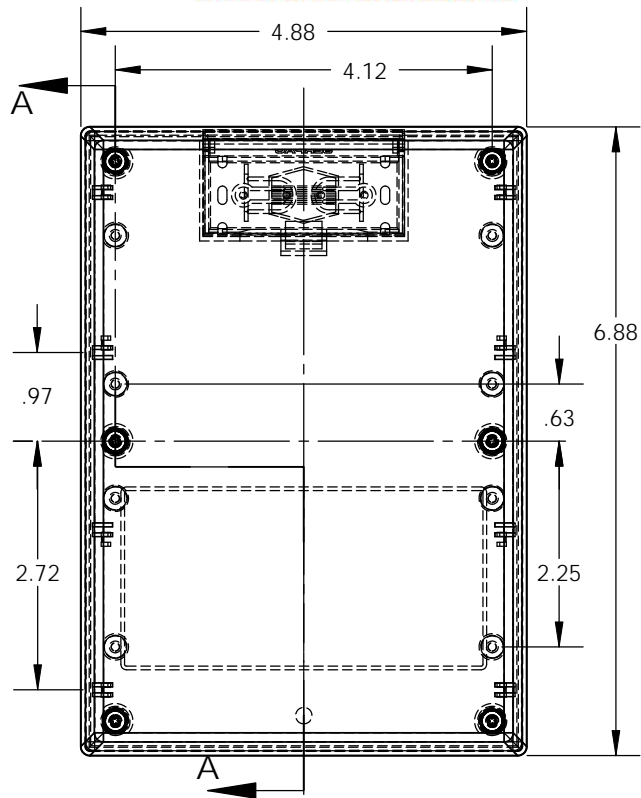
BOTTOM:  
<http://www.serpac.com/Accessories/CircuitBoard/drawings/379-479-cbg.pdf>

- 3) All components are RoHS Compliant.

**ALL DIMENSIONS ARE ±.010" 8/05/10 (1 of 2)**  
 2009 Wright Ave. La Verne, CA 91750  
 Ph. (626) 331-0517 Fx. (626) 331-8584 [serpac.com](http://serpac.com)

# SERPAC 273R (user print)

Electronic Enclosures



| PART NO. | DESCRIPTION (Included) | ACCESSORIES (Optional) |                               |
|----------|------------------------|------------------------|-------------------------------|
| 7-3R     | TOP                    | PART NO.               | DESCRIPTION                   |
| 27       | BOTTOM                 | 50                     | Non-skid Feet                 |
| 1025     | Battery Cover          | 379                    | Prototype grid board (bottom) |
| 6019     | 4-40 Screws (6)        | 479                    | Prototype clad board (bottom) |
| 6102     | Threaded Inserts (6)   |                        |                               |

Notes: Enclosure weight .51 lbs / 233 gm  
 1) Enclosure meets or exceeds IP40 and NEMA 1  
 2) Circuit Board drawings can be download at:  
 TOP:  
[http://www.serpac.com/Accessories/CircuitBoard/drawings/X73\\_CB.pdf](http://www.serpac.com/Accessories/CircuitBoard/drawings/X73_CB.pdf)  
 BOTTOM:  
<http://www.serpac.com/Accessories/CircuitBoard/drawings/379-479-cbg.pdf>  
 3) All components are RoHS Compliant.

SECTION A-A  
 SCALE 1 : 2.1

ALL DIMENSIONS ARE ± .010" 8/05/10 (2 of 2)  
 2009 Wright Ave. La Verne, CA 91750  
 Ph. (626) 331-0517 Fx. (626) 331-8584 www.serpac.com