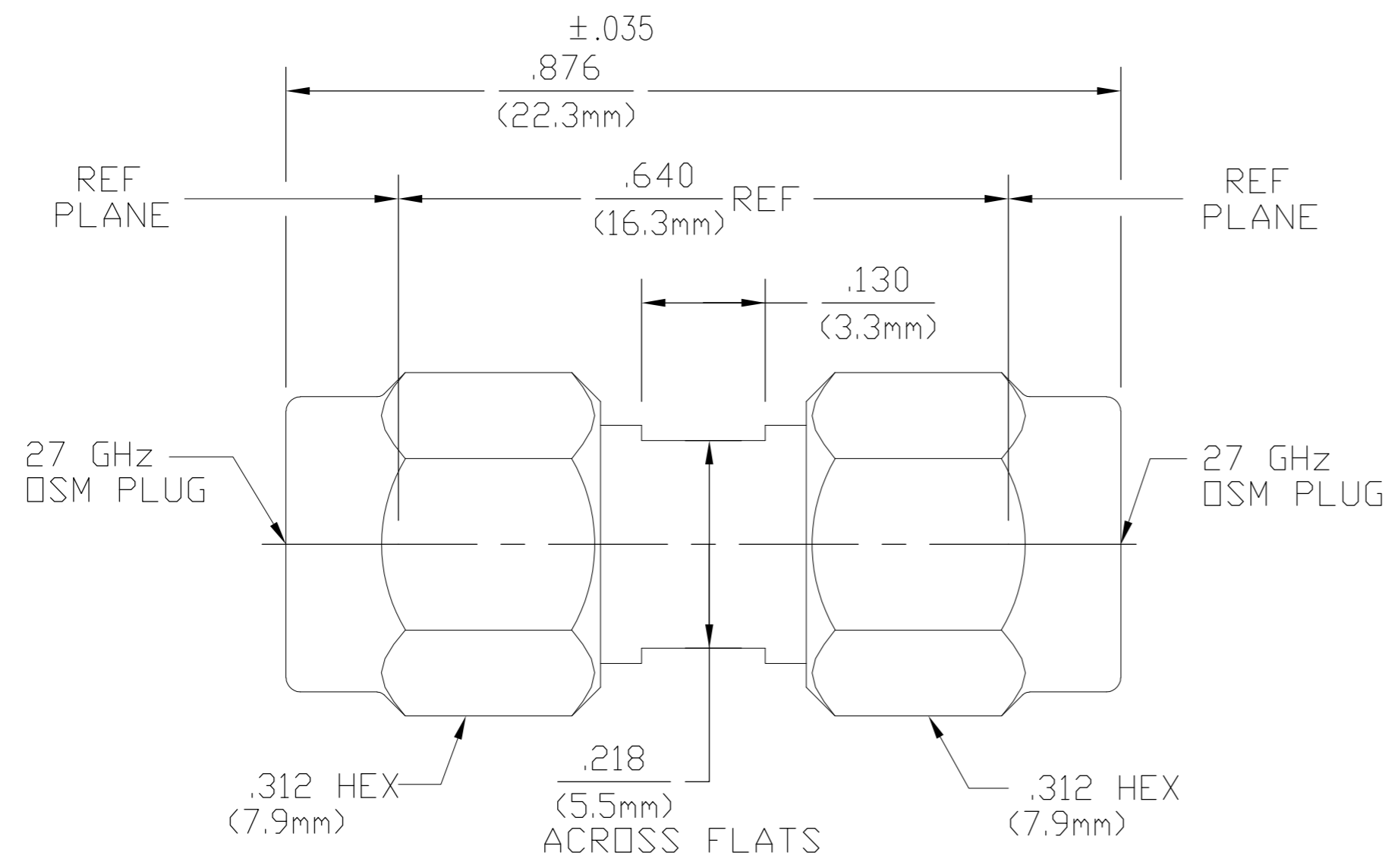


THIS DRAWING IS UNPUBLISHED. RELEASED FOR PUBLICATION
 © COPYRIGHT BY TYCO ELECTRONICS CORPORATION. ALL RIGHTS RESERVED.

| LOC | DIST | REVISIONS | | | |
|-----|------|-------------|-----------------------|----------|-------|
| P | LTR | DESCRIPTION | DATE | DWN | APVD |
| AJ | 00 | B | REV PER ECO 07-004710 | 3/2/2007 | DW KW |



1056336-1
 PART NUMBER

| ELECTRICAL | MECHANICAL | ENVIRONMENTAL |
|--|---|--|
| Nominal Impedance (Ohms) 50 | Interface Dimensions MIL-STD-348A, Fig. N/A | TEMPERATURE RATING -65°C TO +165°C |
| Frequency Range (GHz) DC to 27.0 | Recommended Mating Torque 7 to 10 in-lbs | Vibration MIL-STD-202, Method 204, Condition D. |
| Volt Rating (VRMS MAX) @ Sea Level 335 | Mating Characteristics: Insertion (MAX Lbs) N/A | Shock MIL-STD-202, Method 213, Condition I |
| VSWR 1.05 ±.005 F(GHZ) | Withdrawal (MIN Oz) N/A | Thermal Shock MIL-STD-202, Method 107, Condition C, Except High Temp |
| Insertion Loss (dB MAX) .06 √F(GHZ) | Force to Engage and Disengage (In-Lbs MAX) 2.0 | Moisture Resistance MIL-STD-202, Method 106 |
| RF Leakage (dB MIN) 60 | Center Contact Captivation Axial (Lbs) 10.0 | Corrosion - MIL-STD-202, Method 101, Condition B, 5% salt spray |
| Corona, 70,000 Ft (VRMS MIN) 250 | Radial (In-Oz) 4.0 | |
| Dielectric Withstanding Voltage (VRMS MIN) @ Sea Level 1,500 | Cable Retention Axial Force (Lbs) N/A | |
| Contact Resistance (Milliohms MAX) Center Contact 4.0 | Torque (In-Oz) N/A | |
| Outer Contact 2.0 | Weight (Grams) N/A | |
| Cable to Housing N/A | | |
| RF High Potential @ Sea Level (VRMS MIN @ 5 MHz) 670 | | |
| I.R.(Megohms MIN) 5,000 | | |

| COMPONENT | MATERIAL | FINISH |
|----------------------|---|--|
| HOUSING COUPLING NUT | STAINLESS STEEL PER ASTM-A484 AND ASTM-A582, TYPE 303 | PASSIVATE PER ASTM-A380 |
| DIELECTRIC | TFE FLUOROCARBON PER ASTM-D-1457 | N/A |
| CENTER CONTACT | BERYLLIUM COPPER PER ASTM B 196, ALLOY C17300, CONDITION H OR BRASS PER ASTM-B-16 | GOLD PLATE PER MIL-G-45204 OVER COPPER PLATE PER MIL-C-14550 |
| RETAINING RING | BERYLLIUM COPPER PER ASTM B 194, ALLOY C17200, CONDITION H | N/A |
| GASKET | SILICONE RUBBER PER ZZ-R-765 | N/A |

THIS DRAWING IS A CONTROLLED DOCUMENT.

| | |
|----------------------|---|
| DWN R.R. 9-7-79 | Tyco Electronics Corporation Harrisburg, PA 17105-3608 |
| CHK RD SMITH 7-10-79 | |
| APVD RME 7-11-79 | |
| PRODUCT SPEC | |
| APPLICATION SPEC | NAME OSM HIGH FREQUENCY (27GHz) PLUG TO PLUG ADAPTER |
| WEIGHT | SIZE A2 CAGE CODE 00779 DRAWING NO C=1056336 RESTRICTED TO |
| CUSTOMER DRAWING | SCALE 10:1 SHEET 1 of 1 REV B |