

5

4

3

2

1

## 受控 CONTROLLED DOCUMENT

编号 P/N	28-74307-CUST	版本 Rev	01	日期 Rel'd Date	Apr29,09
-----------	---------------	-----------	----	------------------	----------

DRAWING NO.  
28-74307-CUST

## REVISIONS

01	OFFICIAL RELEASE				Thomas s.Chow
	03-13-09	W	Y	T	



Description: 75 OHM UG-914/U BNC Splice

Part No: 28-74307

Application: Adapter

Crimp Tool: N/A

Impedance: 75 Ohms

Frequency Range: 0-2 GHz

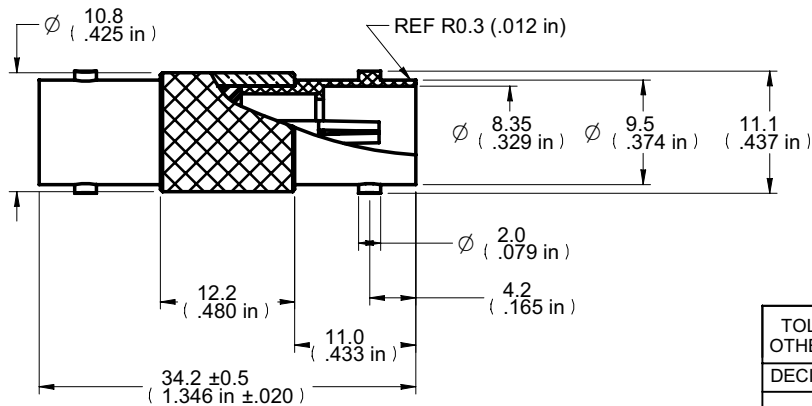
Material: Body Zinc Nickel plated

Contact Beryllium Gold plated

Insulator Teflon

RoHS Compliance: Yes

Technical Detail: Refer to Emerson Document P/N 27-0000

**DIM OUTLINE**

CUSTOMER COPY

TOLERANCE UNLESS OTHERWISE SPECIFIED		DRAWN BY VON.WANG	DATE 03-13-09
DECIMALS	mm	CHECKED BY BETTY.YU	DATE 03-13-09
X	± 0.5	APPROVED BY TOHMAS	DATE 03-13-09
X.X	± 0.3	U/M	mm
X.XX	± 0.1		
ANGLES	± 0.5°		

**EMERSON**  
Network Power  
**Connectivity Solutions**

TITLE  
75 OHM UG-914/U BNC SPLICESHEET  
1 OF 1DRAWING NO.  
28-74307-CUSTSIZE  
A

5

4

3

2

1