

5

4

3

2

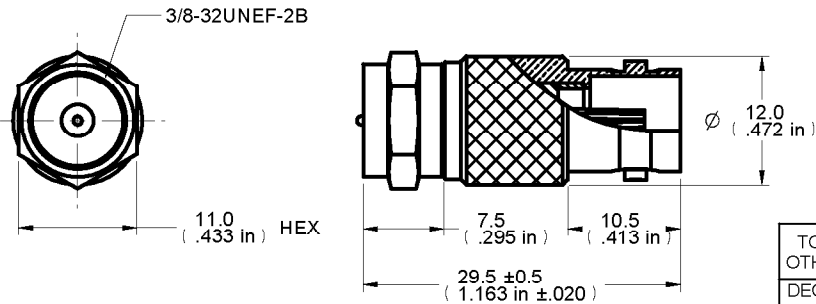
1

DRAWING NO. <b>28-81007-CUST</b>					
<b>REVISIONS</b>					
<b>01</b>	OFFICIAL RELEASE				
	10-21-09	Y U	Y U	T H	Betty 2009.12.11 10:29:32 +08'00'



Description: 75 Ohm BNC Female to F Male  
 Part No: 28-81007  
 Application: Adapter  
 Crimp Tool: N/A  
 Impedance: 75 Ohm  
 Frequency Range: 0-750 Mhz  
 Material: Body Brass Nickel plated  
           Contact Beryllium Gold plated  
           Insulator Teflon  
           Nut Brass Nickel plated  
 RoHS Compliance: Yes  
 Technical Detail: F End Refer to Emerson Document P/N 25-0000  
                     BNC End Refer to Emerson Document P/N 27-0000

<b>受控 CONTROLLED DOCUMENT</b>					
编号 P/N	28-81007	版本 Rev	01	日期 Rel'd Date	DEC 17, 09



**DIM OUTLINE**

**CUSTOMER COPY**

TOLERANCE UNLESS OTHERWISE SPECIFIED		DRAWN BY <b>BETTY.YU</b>	DATE 10-21-09	<b>Connectivity Solutions</b>		
DECIMALS	mm	CHECKED BY <b>BETTY.YU</b>	DATE 10-21-09			
X	± 0.5	APPROVED BY <b>THOMAS</b>	DATE 10-21-09	TITLE <b>75 OHM BNC FEMALE TO F MALE</b>		
X.X	± 0.3	U/M	mm			
X.XX	± 0.1					
ANGLES	± 0.5°					
THIS DRAWING WAS PRODUCED BY COMPUTER, DO NOT SCALE DRAWING OR UPDATE MANUALLY.				SHEET 1 OF 1	DRAWING NO. <b>28-81007-CUST</b>	SIZE <b>A</b>

D

C

B

A

D

C

B

A

5

4

3

2

1