

5

4

3

2

1



Description: CPAD557 BNC Adpter, Jack To Jack
 Part No: 28-84707
 Application: Adapter
 Crimp Tool: N/A
 Impedance: 75 ohm
 Frequency Range: 0~2 GHz
 Material: Body Zinc Nickel plated
 Insulator Delrin
 Contact Berllium Gold plated
 Mounting nut Brass Nickel plated
 Lockwasher Steel Nickel plated

RoHS Compliance: Yes
 Technical Detail: Refer to Emerson Document P/N 27-0000

DRAWING NO.
28-84707

REVISIONS

01	OFFICIAL RELEASE			2009.09.0
	08-18-09	L	L	H

Betty 09:38:15
+0800C

D

D

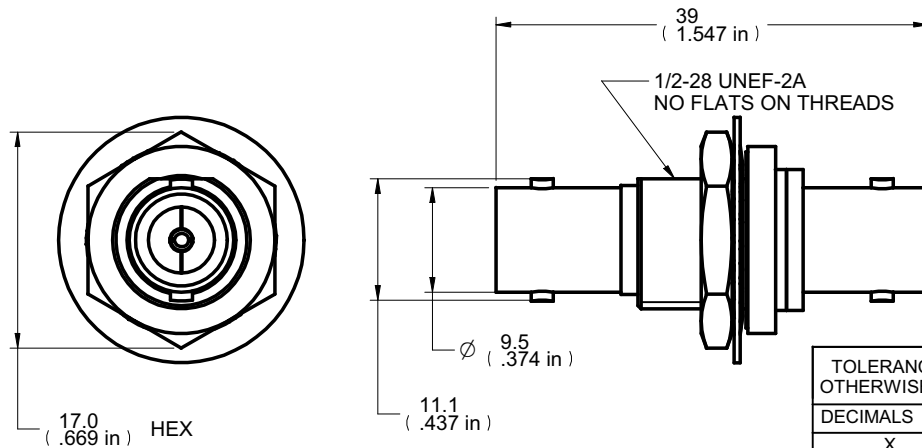
C

C

受控 CONTROLLED DOCUMENT					
编号 P/N	28-84707-CUST	版本 Rev	01	日期 Rel'd Date	SEP 14,09

B

B



DIM OUTLINE

CUSTOMER COPY

A

A

TOLERANCE UNLESS OTHERWISE SPECIFIED		DRAWN BY	DATE
DECIMALS	mm	LINDA.WU	08-18-09
X	± 0.5	CHECKED BY	DATE
X.X	± 0.3	LINDA.WU	08-18-09
X.XX	± 0.1	APPROVED BY	DATE
ANGLES	± 0.5°	THOMAS	08-18-09
		U/M	mm



TITLE
CPAD557 BNC ADPTR, JACK TO JACK

THIS DRAWING WAS PRODUCED BY COMPUTER,
DO NOT SCALE DRAWING OR UPDATE MANUALLY.

SHEET 1 OF 1	DRAWING NO. 28-84707	SIZE A
-----------------	-------------------------	-----------

5

4

3

2

1