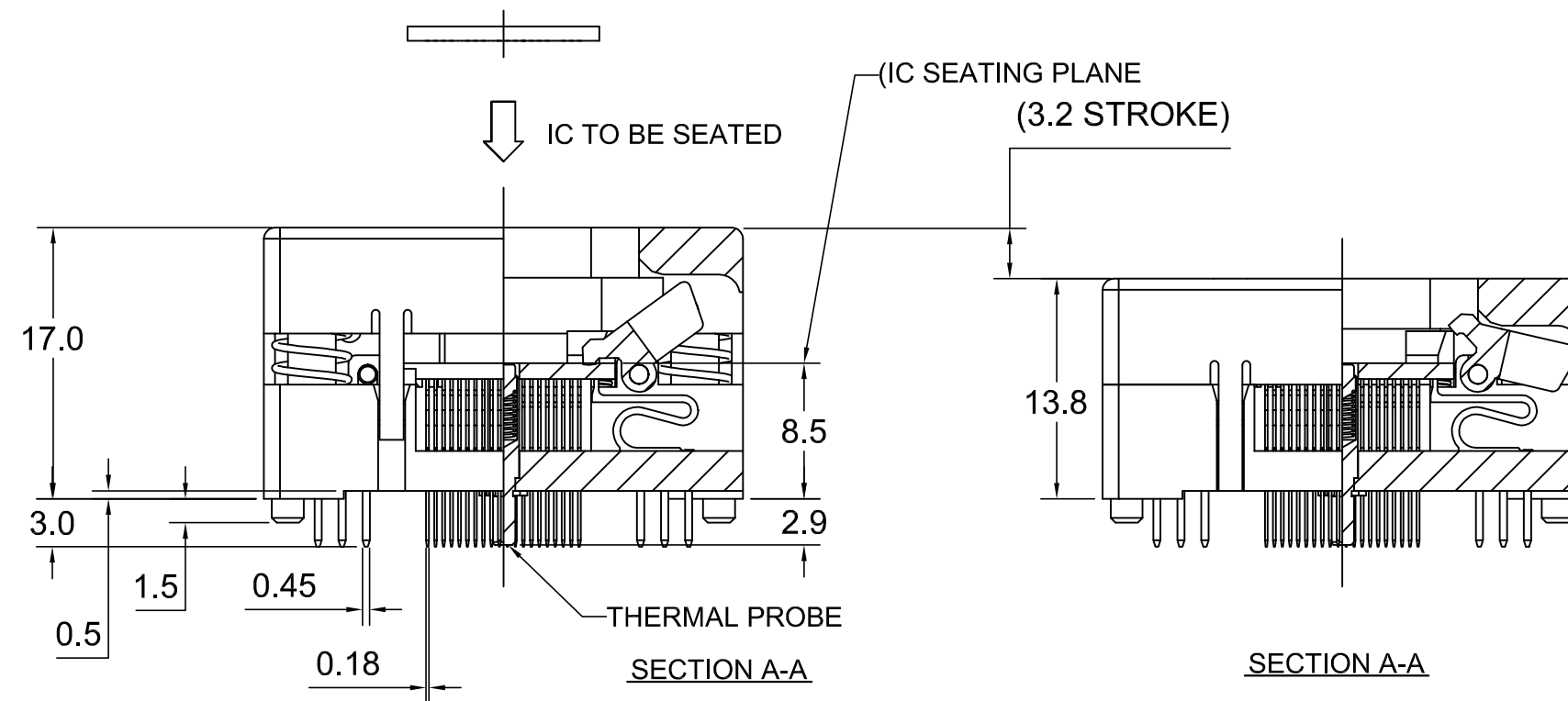
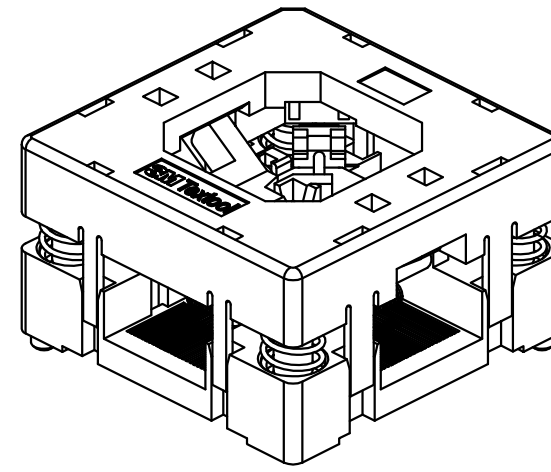
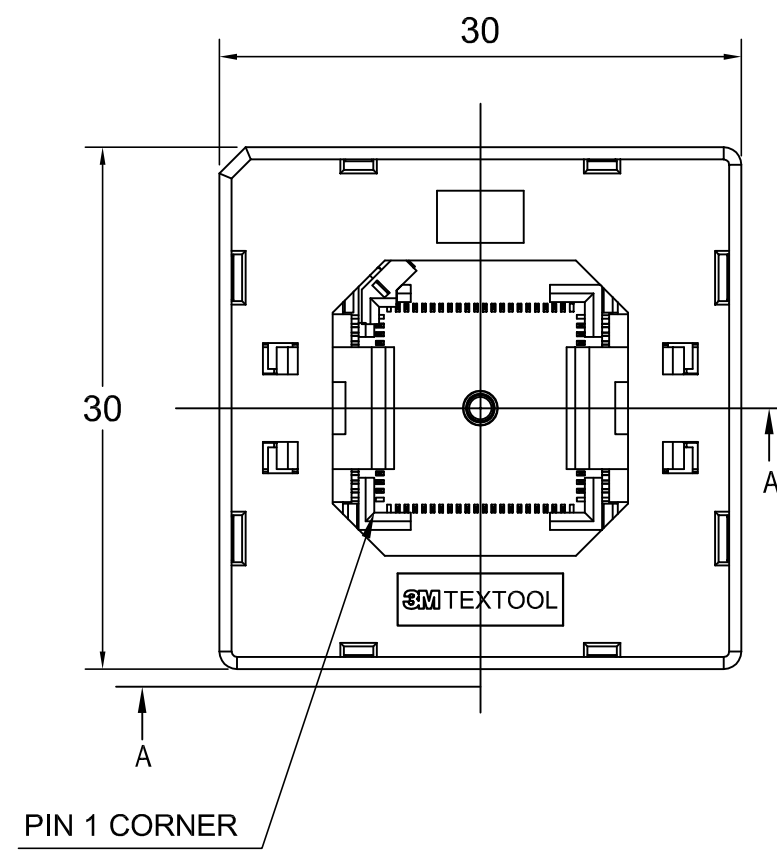


# 3M™ TEXTTOOL™ OPEN-TOP SOCKETS FOR QFN APPLICATIONS



## NOTES:

### 1. MATERIALS:

SPRINGS	SS	PLATING : Au
CONTACTS	Be Cu	COLOR : BLACK
IC GUIDES	PES	COLOR : BLACK
PRESSURE PAD	PES	COLOR : BLACK
COVER	PPS or equiv.	COLOR : BLACK
BASE	PES	COLOR : BLACK

2. SEE THE REGULATORY INFORMATION APPENDIX (RIA) IN THE "RoHS COMPLIANCE" SECTION [WWW.3MCONNECTOR.COM](http://WWW.3MCONNECTOR.COM) FOR COMPLIANCE INFORMATION (RIA E1 & C1 APPLY).

3. FOR PRODUCT SPECIFICATIONS AND WARRANTY INFORMATION SEE:

[WWW.3MCONNECTOR.COM](http://WWW.3MCONNECTOR.COM) PN 280-5205-01

REV	ECO	ISSUE DATE AND DESCRIPTION	DRFT	CHKD
B	53964	ADDED PINOUT ON SHT 2	LDS	BG
A	37213	INITIAL RELEASE	ARM	
DRFT	DATE	MFG	DATE	
CHKD	DATE	APPVL	DATE	

DESIGN REFERENCE	NEXT ASSEMBLY
DISTRIBUTION CODES	
DIVISION	DIVISION CODE
DO NOT SCALE DRAWING	SCALE 5/1
TOLERANCES EXCEPT AS NOTED	
INCHES	.0 ± .1 .00 ± .02 .000 ± .005 .0000 ± .0002
THIRD ANGLE PROJECTION	INTERPRET PER ASME Y14.5 - 1994
MAX SURFACE ROUGHNESS	125
ALL SURFACES	<input type="checkbox"/>
MARKED ONLY	<input checked="" type="checkbox"/>
ANGLES ±	1°

**3M** 3M Center St. Paul, MN 55144

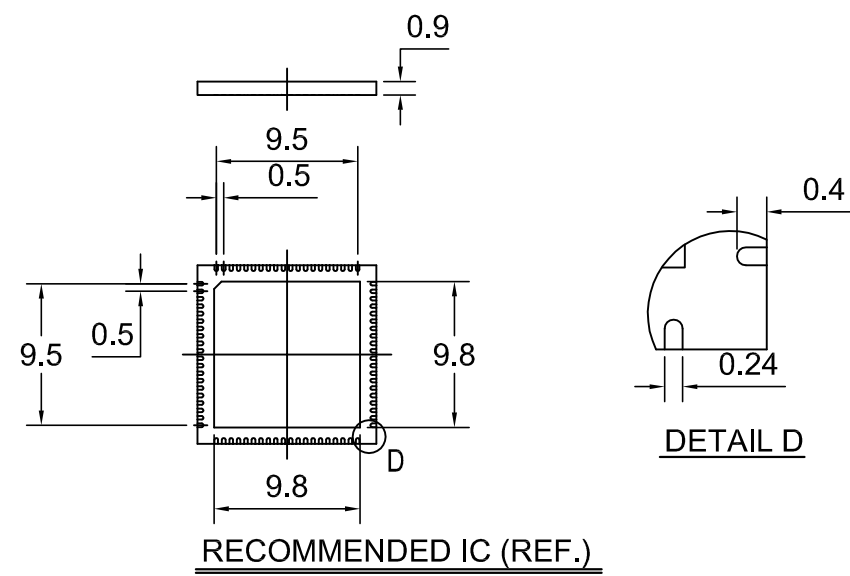
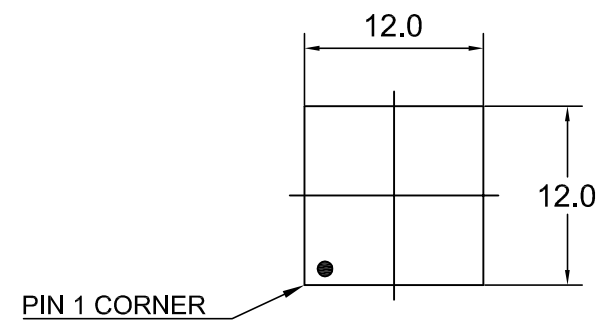
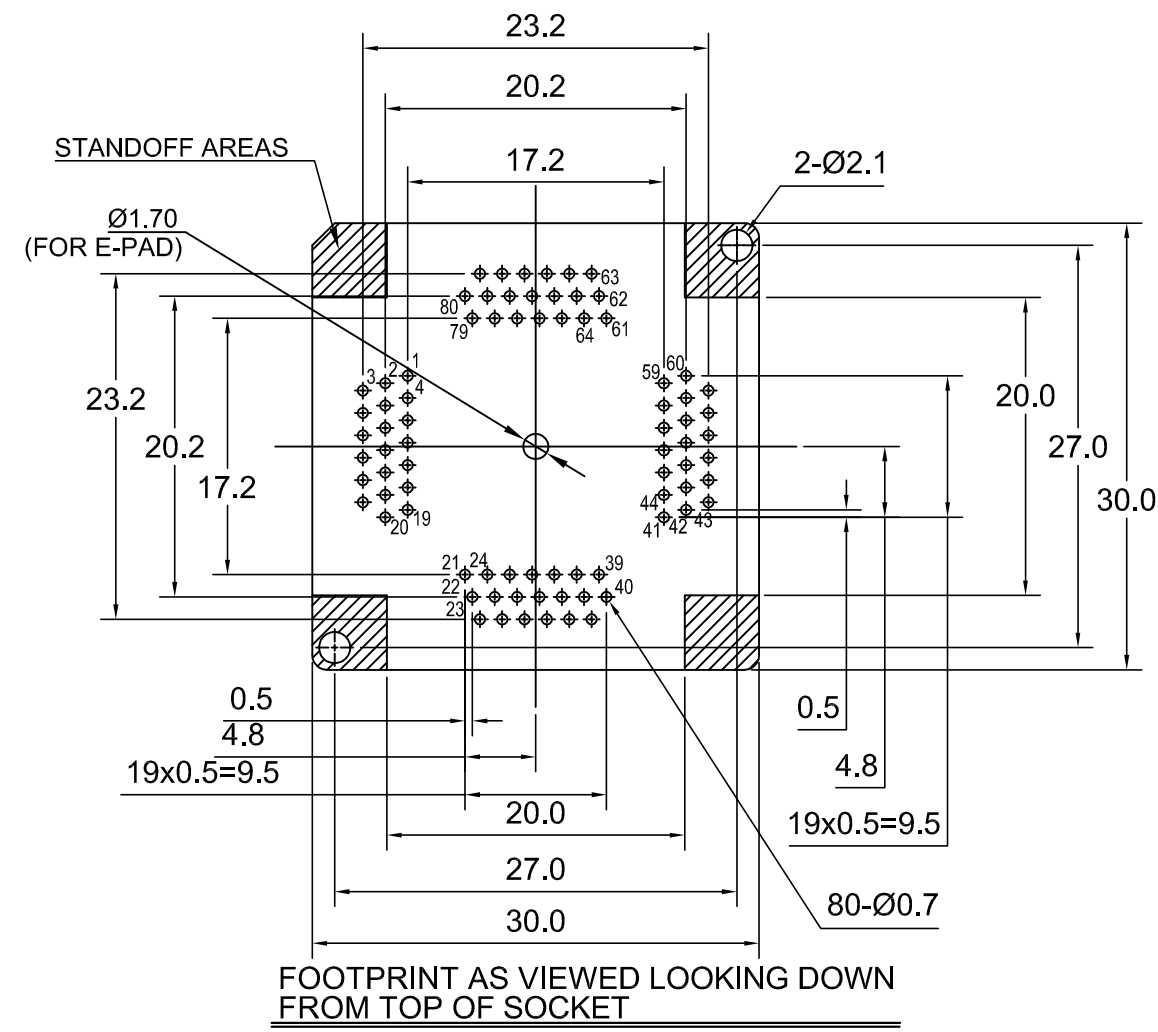
© 3M COPYRIGHT 2014  
This document is the copyrighted property of the 3M Company and may not be reproduced without 3M written permission or used for other than 3M authorized purposes.

TITLE: **QFN TEST SOCKET, 0.5mm 80 POS, EVEN ROW, 12x12 PKG WITH TP**

CAGE NUMBER: **C** DRAWING NO.: **78-5100-2476-9** REV. **B**

MODEL: **TEXTTOOL - QFN** DET. LISTS:  YES  NO SHT 1 OF 2

# 3M™ TEXTTOOL™ OPEN-TOP SOCKETS FOR QFN APPLICATIONS



DESIGN REFERENCE		NEXT ASSEMBLY		REV	ECO	ISSUE DATE AND DESCRIPTION		DRFT	CHKD
DISTRIBUTION CODES				DRFT		DATE	MFG	DATE	
				CHKD		DATE	APPVL	DATE	
DIVISION		DIVISION CODE		<p>3M Center St. Paul, MN 55144</p> <p>© 3M COPYRIGHT 2014 This document is the copyrighted property of the 3M Company and may not be reproduced without 3M written permission or used for other than 3M authorized purposes.</p>					
DO NOT SCALE DRAWING		SCALE 5 1							
THIRD ANGLE PROJECTION		INCHES		.0 ± .1		<b>QFN TEST SOCKET, 0.5mm 80 POS, EVEN ROW, 12x12 PKG WITH TP</b>			
INTERPRET PER ASME Y14.5 - 1994		MILLIMETERS		.00 ± .02					
MAX SURFACE ROUGHNESS		MILLIMETERS		.000 ± .005		CAGE NUMBER		SIZE	DRAWING NO.
125		<input type="checkbox"/> ALL SURFACES <input checked="" type="checkbox"/> MARKED ONLY		.000 ±		<b>C</b>		<b>78-5100-2476-9</b>	REV. <b>B</b>
		ANGLES ± 1°		MODEL		TEXTTOOL - QFN		DET. LISTS	<input type="checkbox"/> YES <input checked="" type="checkbox"/> NO
						SHT		2 OF 2	