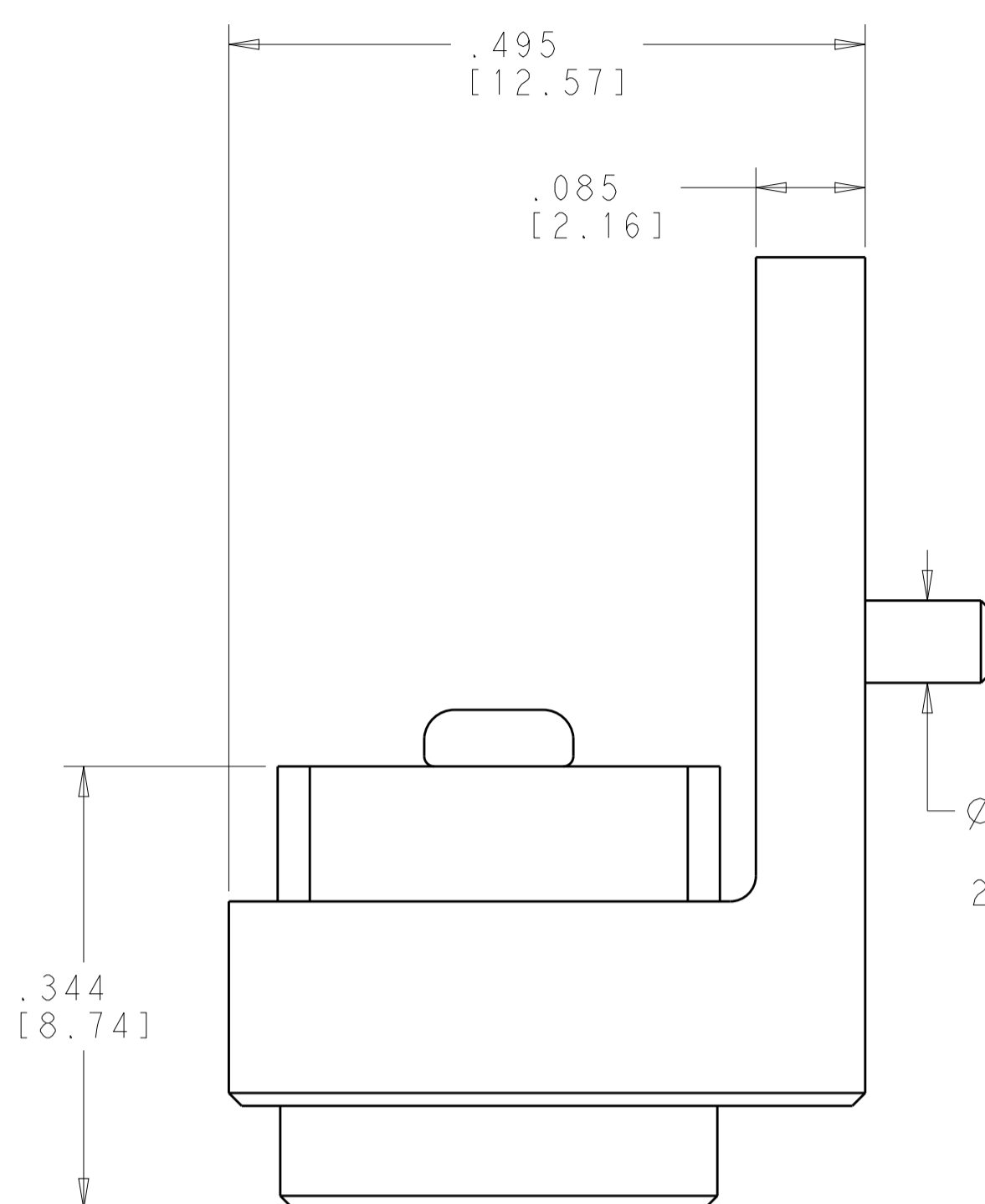
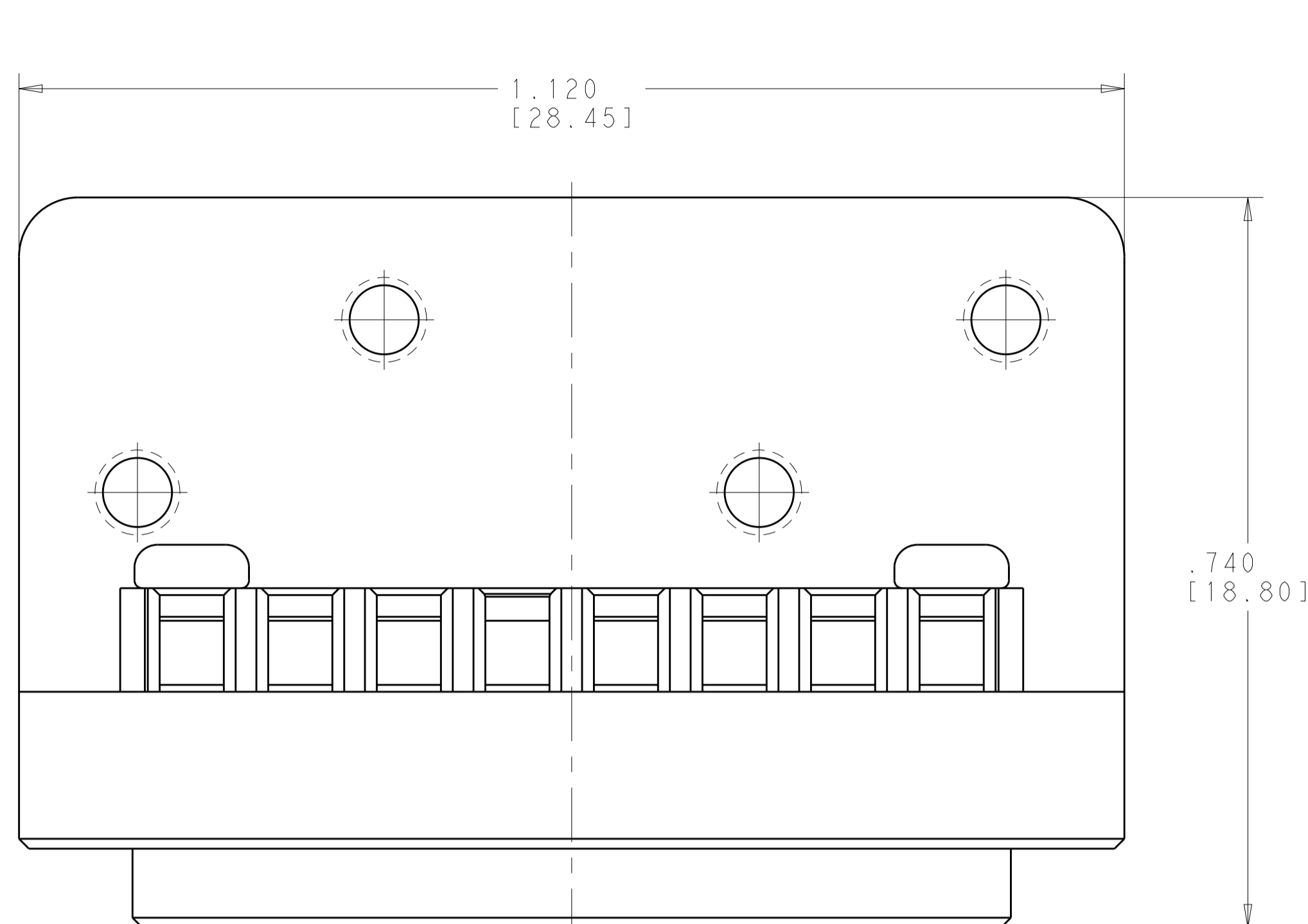
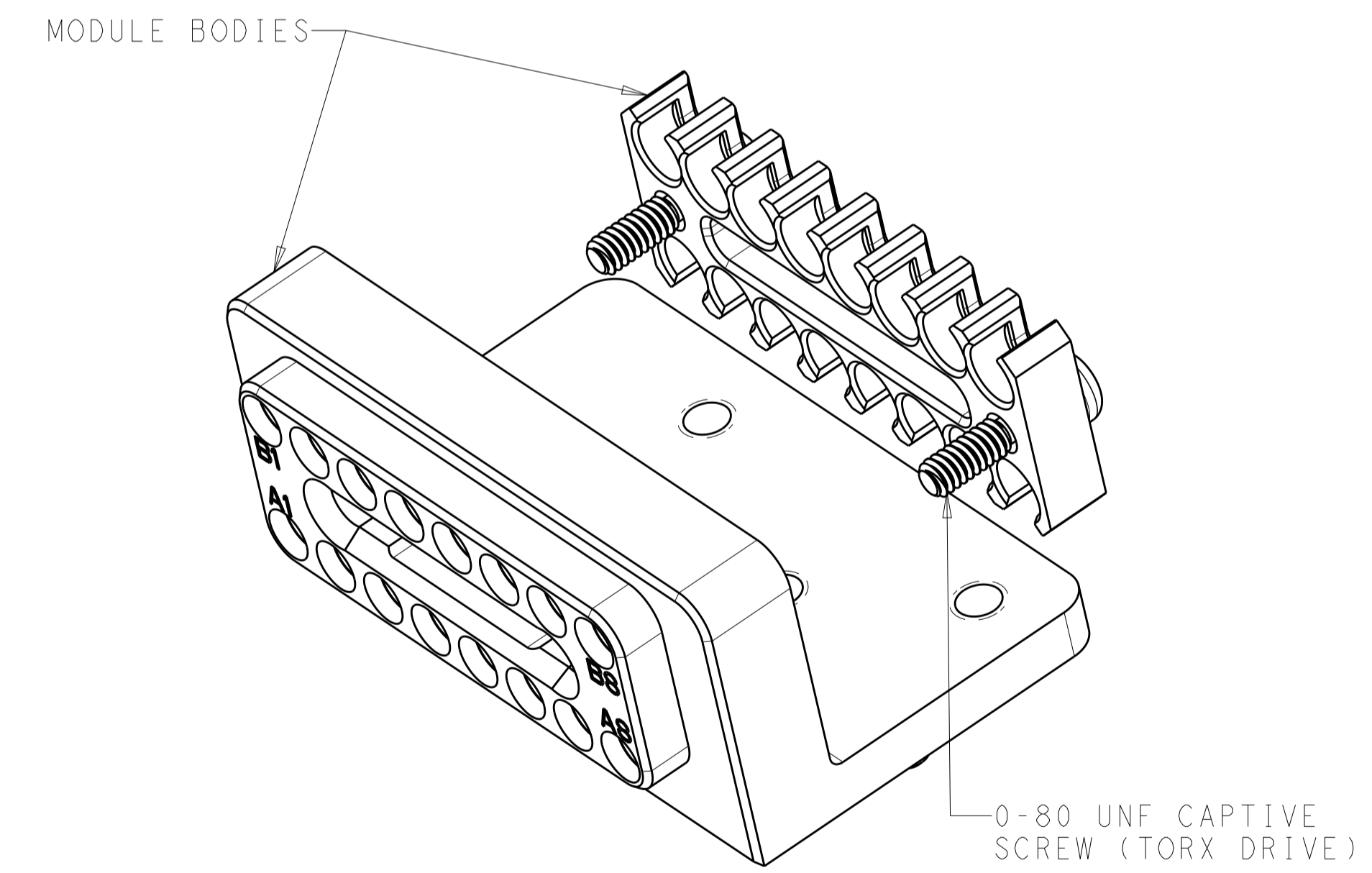
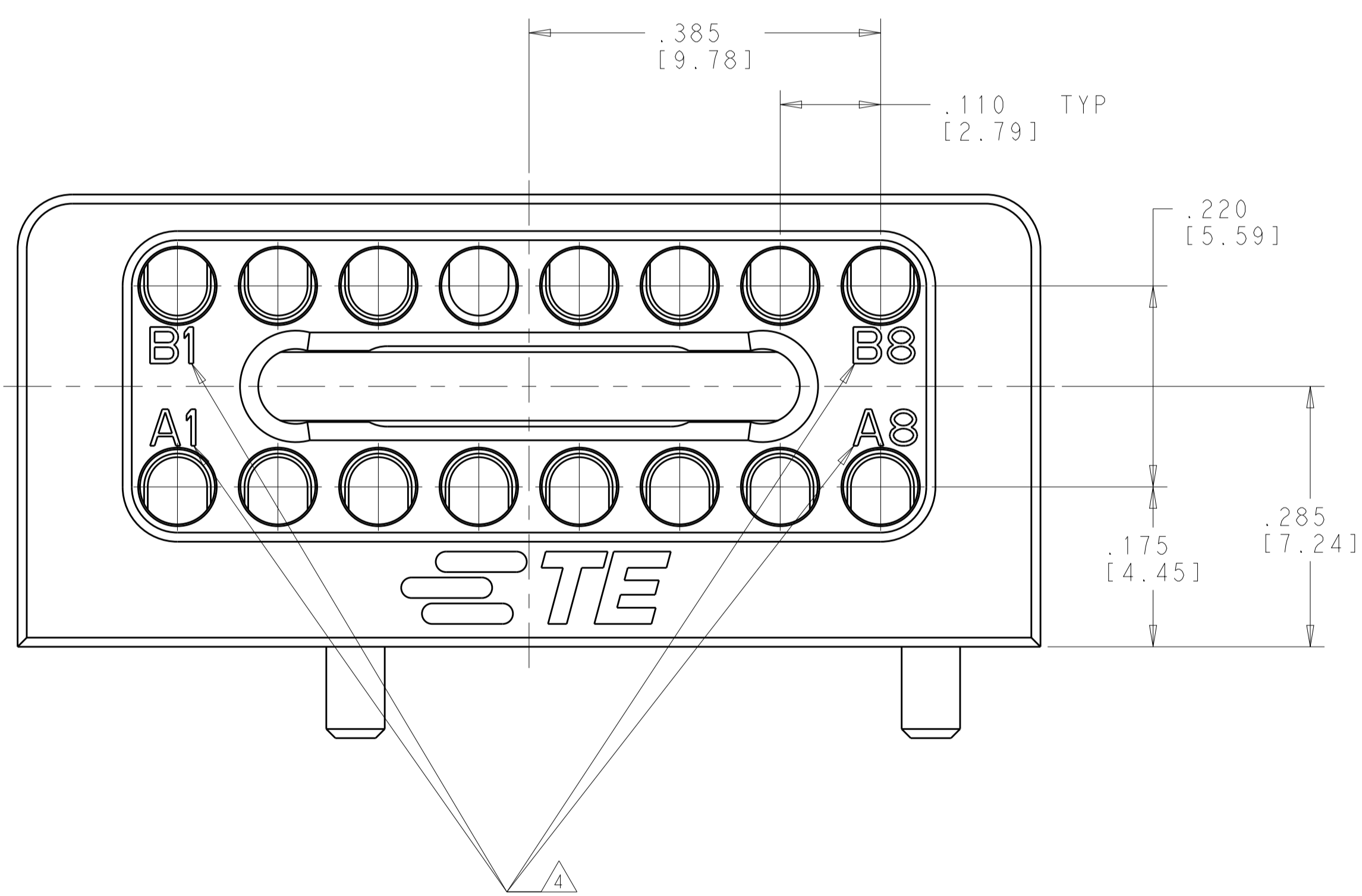
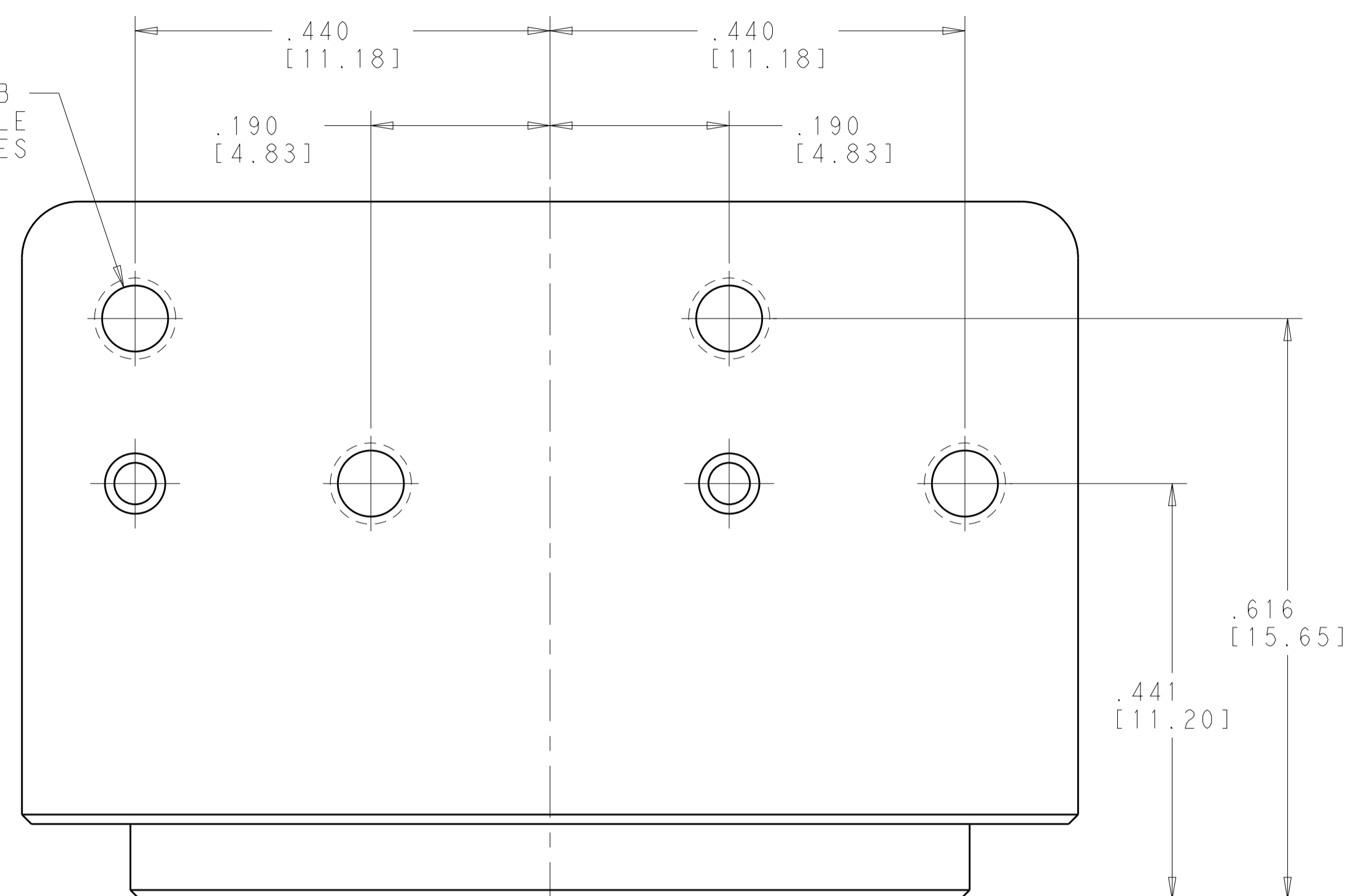


REVISIONS				
P.	LTN.	DESCRIPTION	DATE	APVD.
B		RELEASED PER ECO 19-005475	4-9-19	CT FB



2-56 UNC-2B
THREADED THRU HOLE
4 PLACES



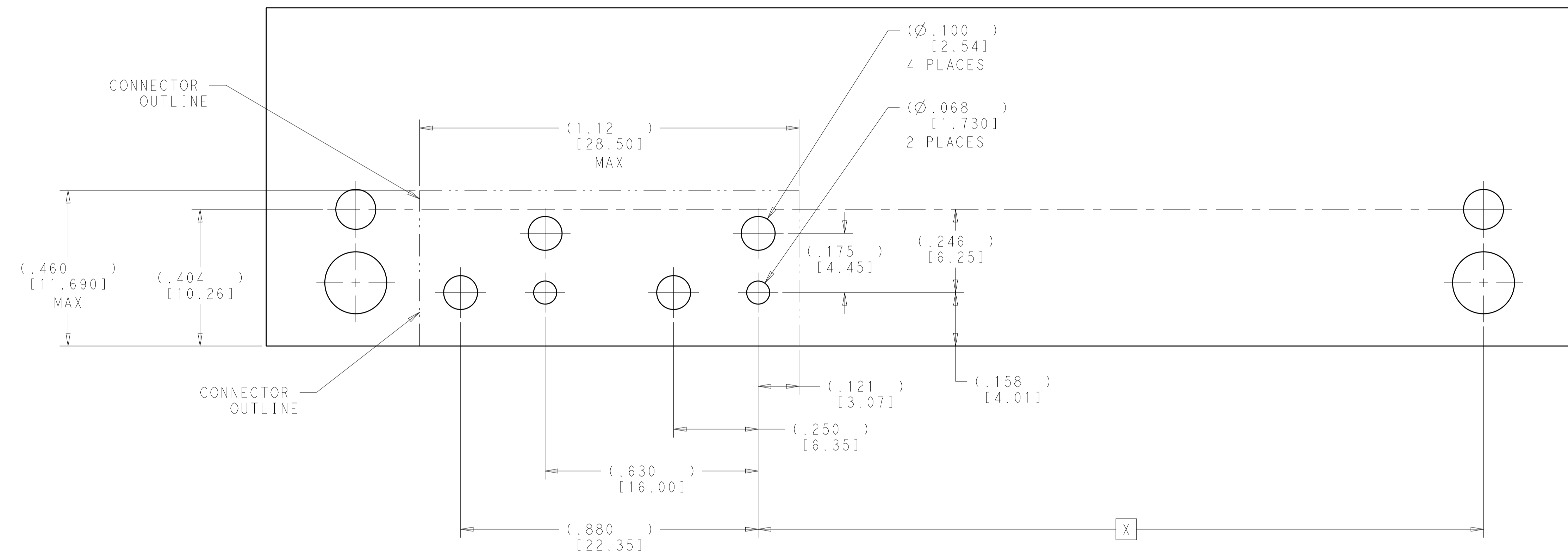
SCALE 5:1

- 1 MATERIAL:
MODULE BODIES - SEE TABLE
SCREWS - 300 SERIES STAINLESS STEEL
- 2 FINISH:
MODULE BODIES - SEE TABLE
SCREWS - PASSIVATED
- 3. SHIPPED IN KIT FORM.
- 4 CIRCUIT IDENTIFICATION MARKING
- 5 P3 MODULE LOCATION CAN BE MOVED - .129[3.28] TO POSITION P3 = 3.702[94.03] TO ALLOW FOR USE OF A FULL MULTIGIG CONNECTOR IN P4. THE BACKPLANE MODULE POSITION MUST ALSO BE ADJUSTED ACCORDINGLY.

CLEAR CHROMATE CONVERSION COATING	ALUMINUM ALLOY 7075	2828392-2
PASSIVATED	STAINLESS STEEL PER UNS S30300	2828392-1
MODULE FINISH 2	MODULE MATERIAL 1	PART NUMBER

THIS DRAWING IS A CONTROLLED DOCUMENT.		DWN R. MILLER 06AUG2015	TE Connectivity	
DIMENSIONS: INCHES/mm		CHK C. YI 14AUG2015	NAME 16 POSITION NanoRF MODULE P.C.B. MOUNT - DAUGHTERCARD VITA	
TOLERANCES UNLESS OTHERWISE SPECIFIED:		APVD K. DOWNHOWER 11APR2018	SIZE CAGE CODE DRAWING NO	
0 PLC ±		PRODUCT SPEC	RESTRICTED TO	
2 PLC ±		108-163006	A 00779 C=2828392	
3 PLC ±.005(0.13)		APPLICATION SPEC	SCALE 8:1 SHEET 1 OF 2 REV B	
4 PLC ±		408-163016		
ANGLES ±		WEIGHT		
MATERIAL 1		FINISH 2	CUSTOMER DRAWING	

REVISIONS				
P.	LTN	DESCRIPTION	DATE	APVD
-		SEE SHEET 1	-	-



DESIGNED FOR VITA 67.2 PCB LAYOUT
(VIEW FROM TOP SIDE)

P2	2.145 [54.48]
\triangle P3	3.831 [97.31]
P4	4.965 [126.11]
P5	6.099 [154.91]
P6	7.233 [183.71]
POSITION	DIM "X"

THIS DRAWING IS A CONTROLLED DOCUMENT.		DWN H. MILLER 14AUG2015	TE Connectivity														
DIMENSIONS: INCHES/mm		CHK C. YI 14AUG2015															
TOLERANCES UNLESS OTHERWISE SPECIFIED:		APVD K. DOWNHOWER 11APR2018	NAME 16 POSITION NanoRF MODULE P.C.B. MOUNT - DAUGHTERCARD VITA														
<table border="1"> <tr><td>0 PLC</td><td>±</td></tr> <tr><td>1 PLC</td><td>±</td></tr> <tr><td>2 PLC</td><td>±</td></tr> <tr><td>3 PLC</td><td>±.005[0.13]</td></tr> <tr><td>4 PLC</td><td>±</td></tr> <tr><td>ANGLES</td><td>±</td></tr> <tr><td>FINISH</td><td>±</td></tr> </table>		0 PLC	±	1 PLC	±	2 PLC	±	3 PLC	±.005[0.13]	4 PLC	±	ANGLES	±	FINISH	±	PRODUCT SPEC 108-163006	SIZE A
0 PLC	±																
1 PLC	±																
2 PLC	±																
3 PLC	±.005[0.13]																
4 PLC	±																
ANGLES	±																
FINISH	±																
MATERIAL		APPLICATION SPEC 408-163016	CAGE CODE 00779														
		WEIGHT	DRAWING NO C=2828392														
		CUSTOMER DRAWING	RESTRICTED TO SCALE 4:1 SHEET 2 OF 2 REV B														