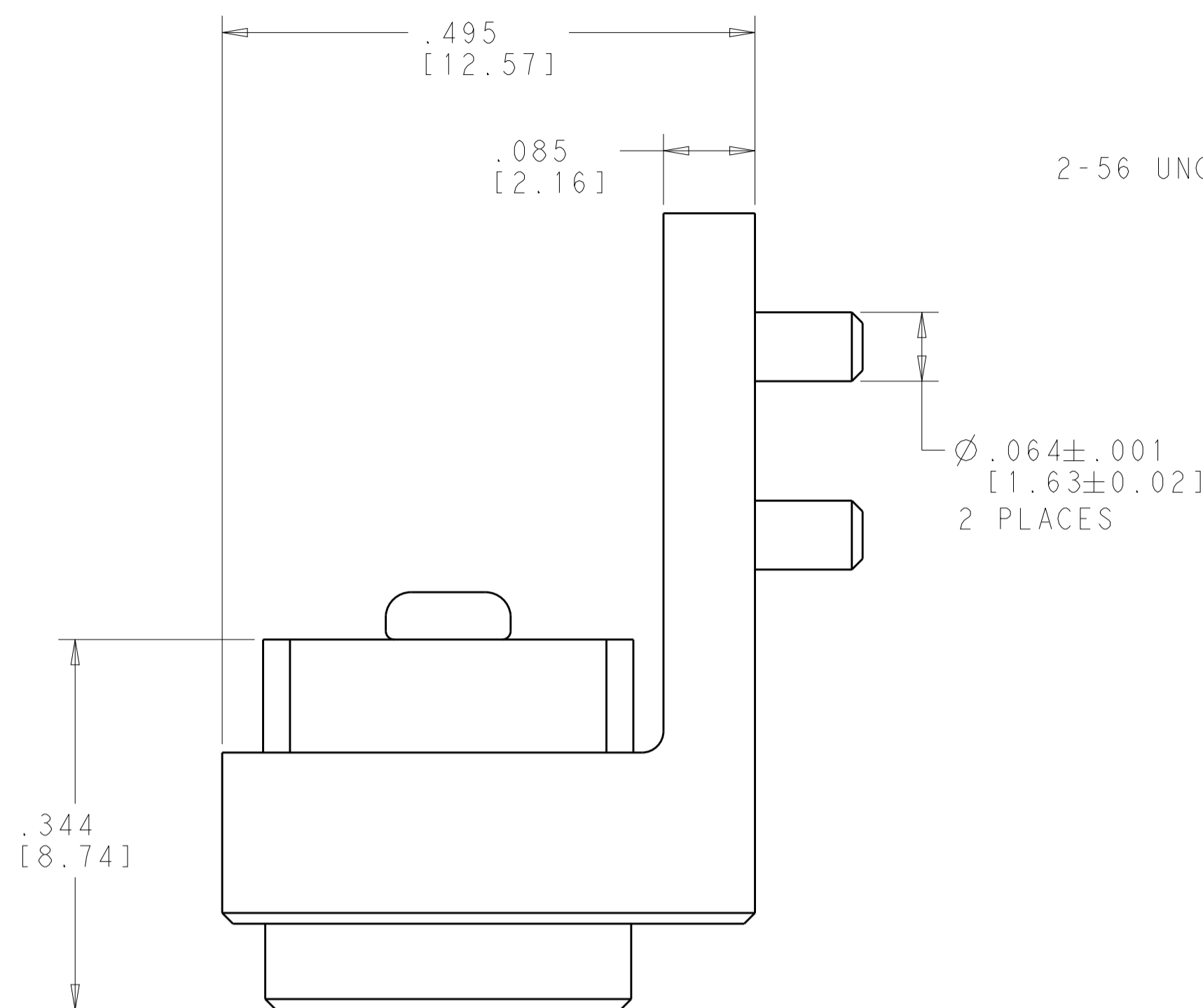
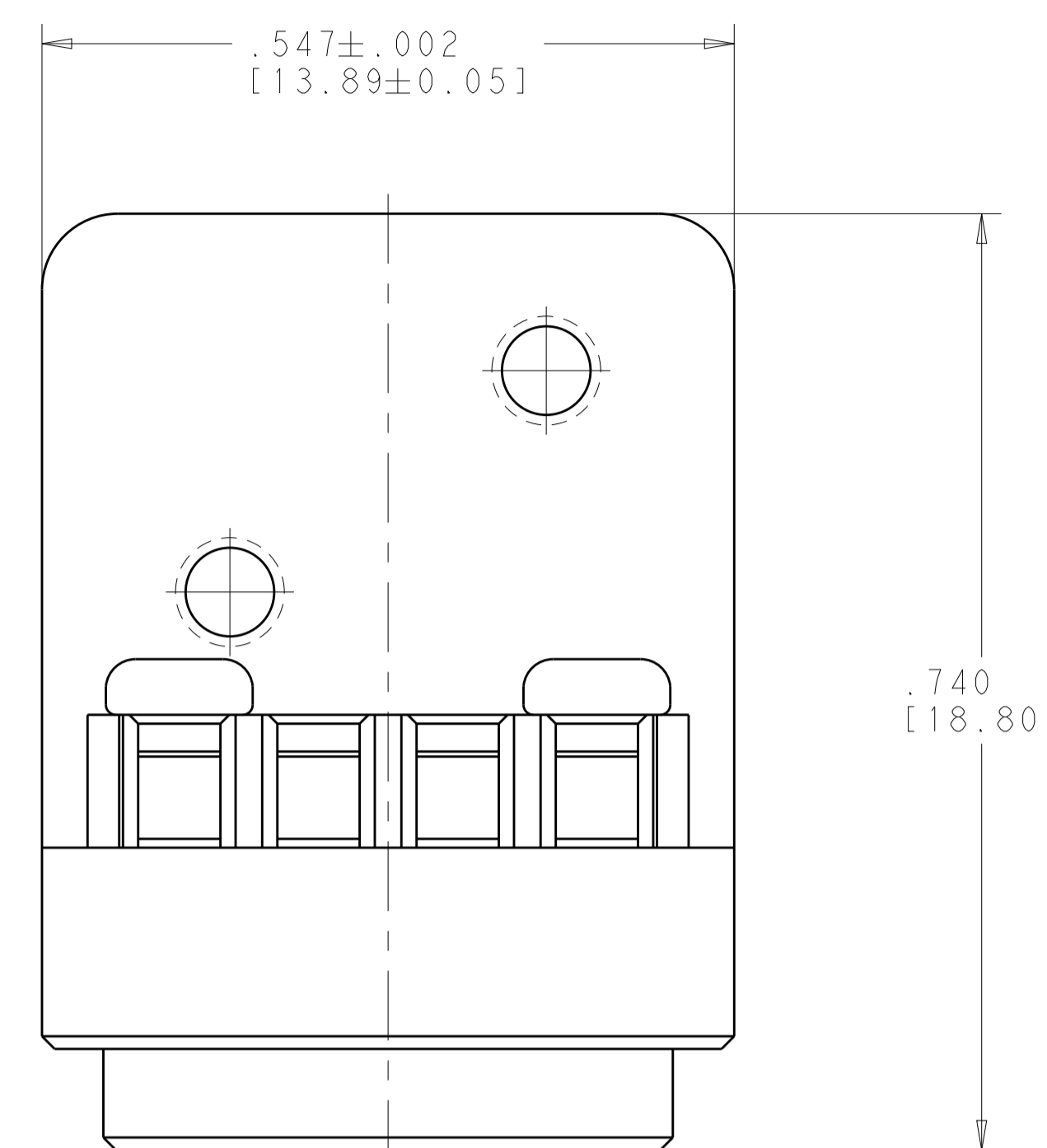
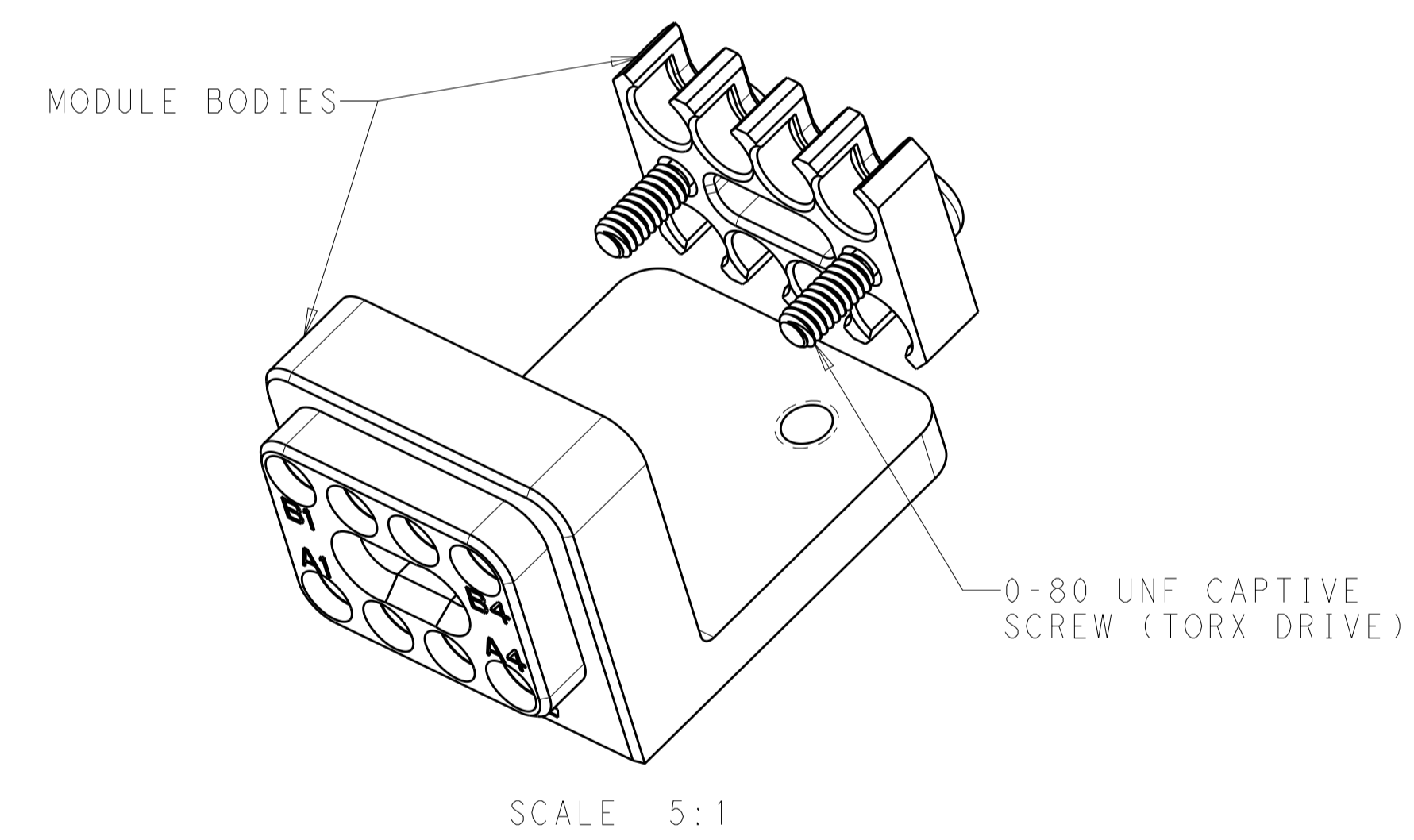
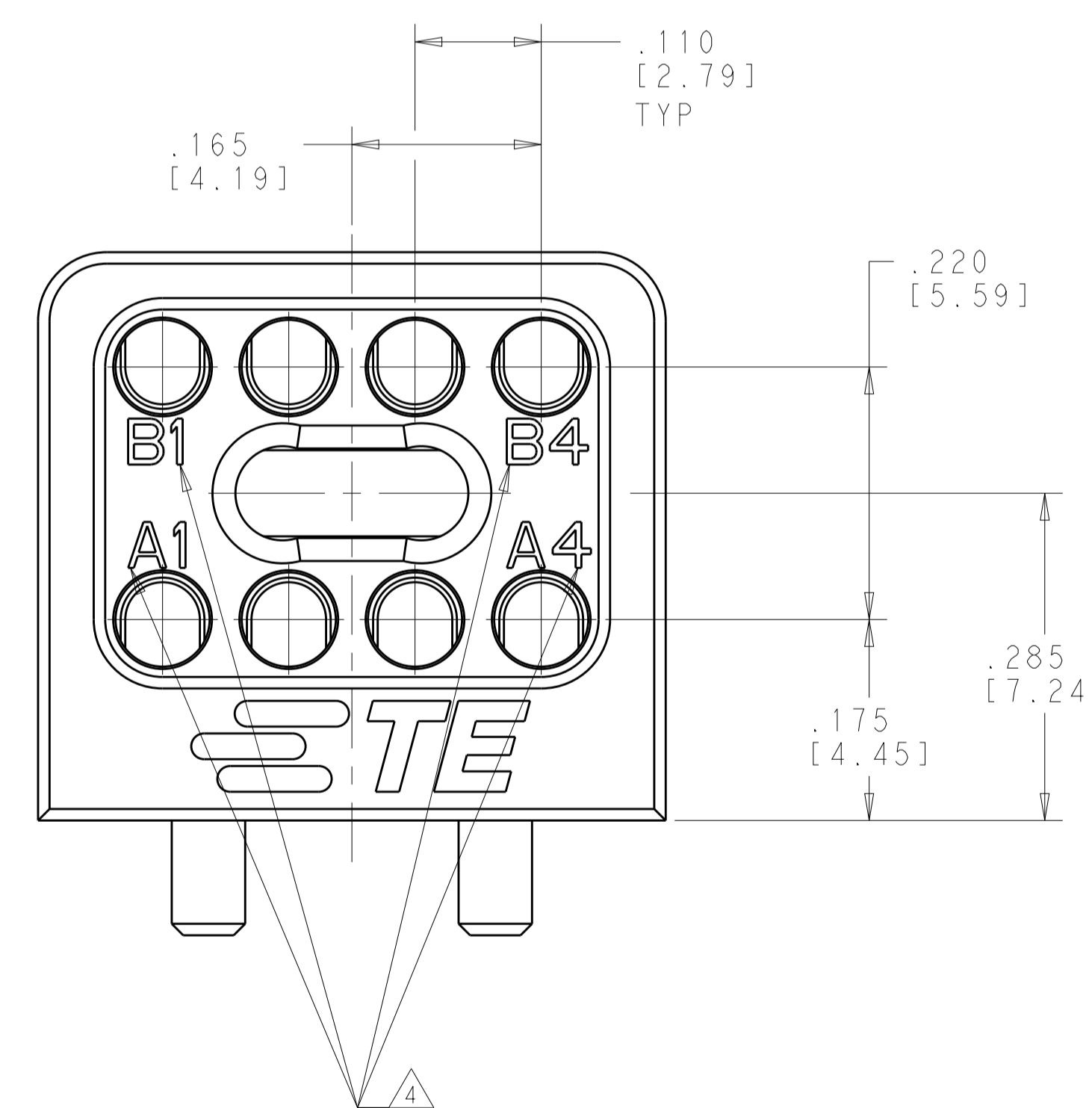
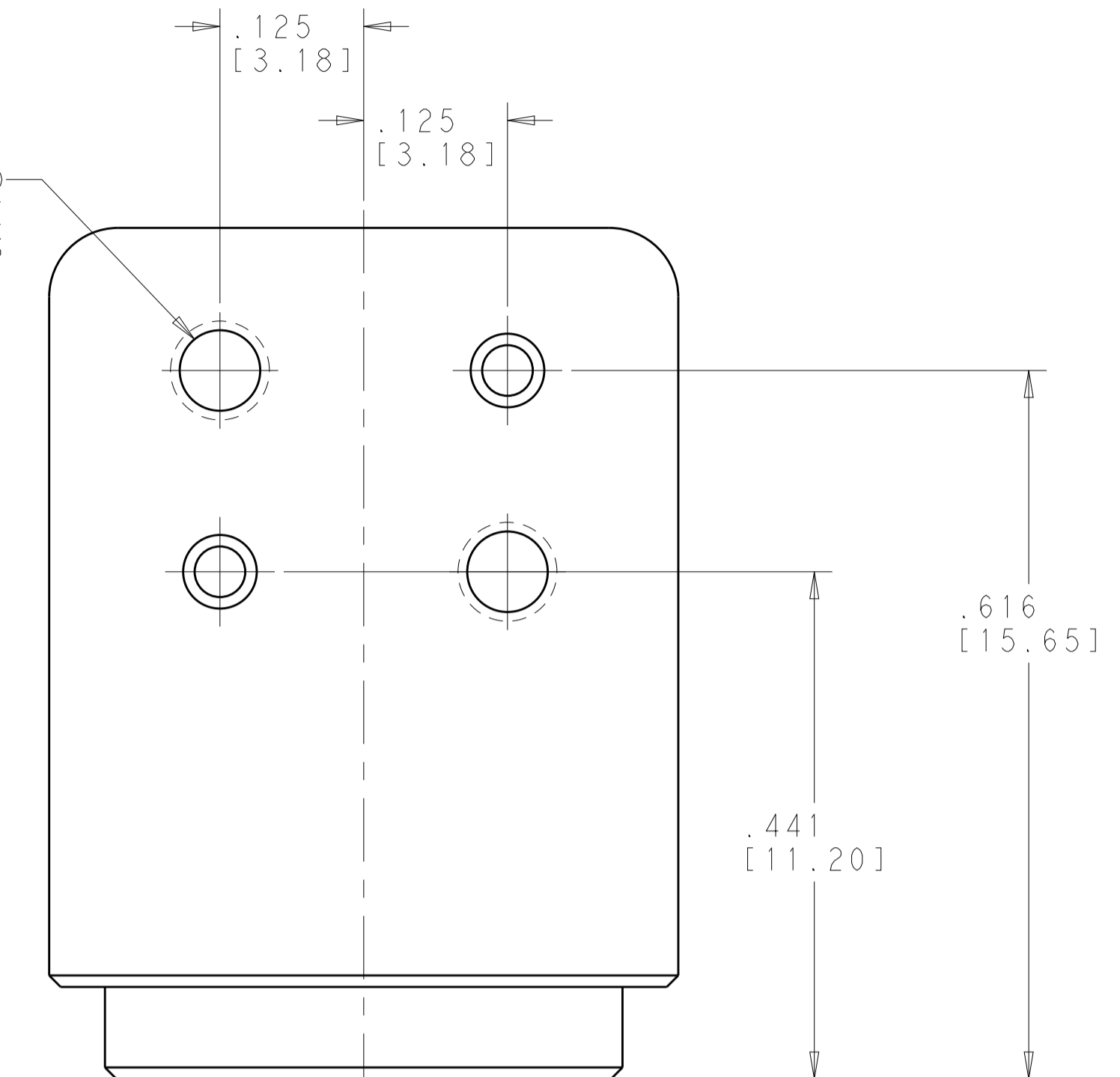


REVISIONS				
P.	LTM	DESCRIPTION	DATE	APVD
B		RELEASED PER ECO 19-005475	4-9-19	CT FB



2-56 UNC-2B THREADED THRU HOLE 2 PLACES

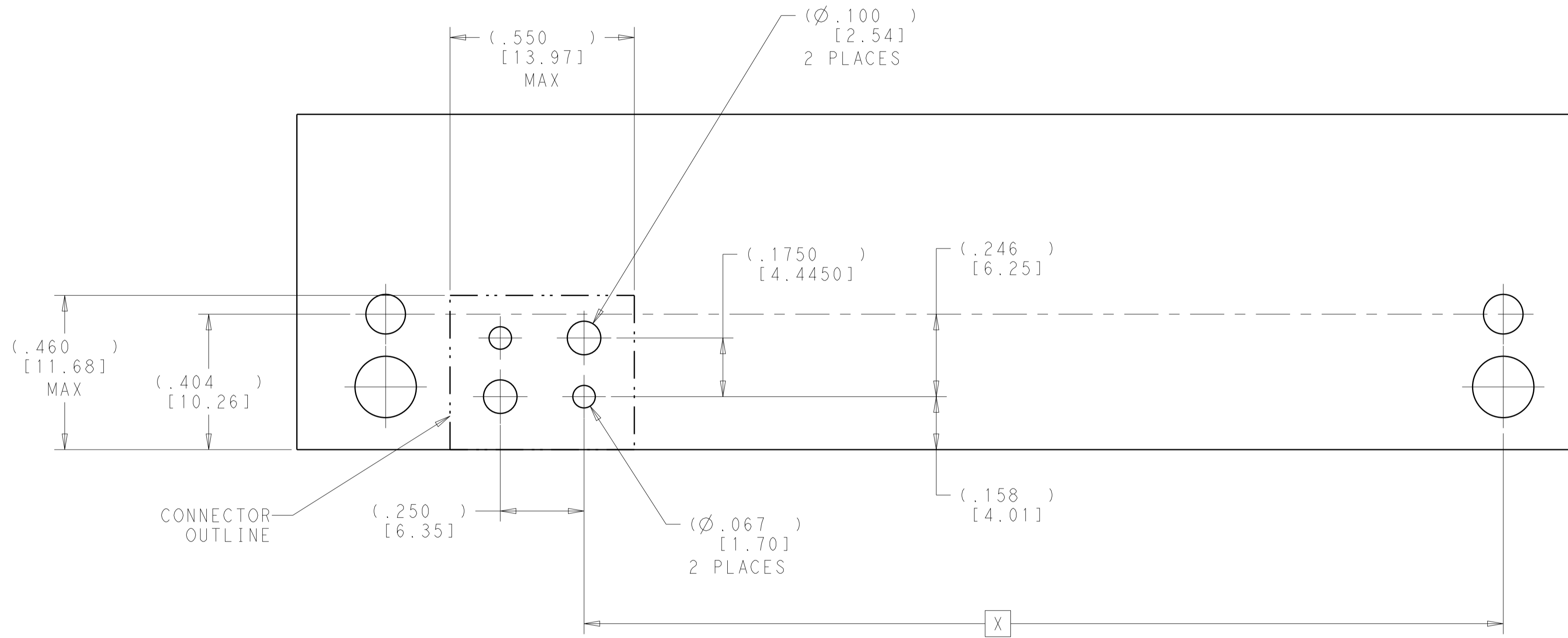


- 1 MATERIAL:
MODULE BODIES - SEE TABLE
SCREWS - 300 SERIES STAINLESS STEEL
- 2 FINISH:
MODULE BODIES - SEE TABLE
SCREWS - PASSIVATED
- 3. SHIPPED IN KIT FORM.
- 4 CIRCUIT IDENTIFICATION MARKING

CLEAR CHROMATE CONVERSION COATING	ALUMINUM ALLOY 7075	2828431-2
PASSIVATED	STAINLESS STEEL PER UNS S30300	2828431-1
MODULE FINISH 2	MODULE MATERIAL 1	PART NUMBER


THIS DRAWING IS A CONTROLLED DOCUMENT.		DWN R. MILLER CHK C. YI	23APR2015 14AUG2015	TE Connectivity
DIMENSIONS: INCHES/mm	TOLERANCES UNLESS OTHERWISE SPECIFIED:	APVD K. DOWNHOWER	11APR2018	
0 PLC ± 2 PLC ± 3 PLC ±.005(0.13) 4 PLC ± ANGLES ±	± ± ±.005(0.13) ± ±	PRODUCT SPEC 108-163006	APPLICATION SPEC 408-163016	NAME 8 POSITION NanoRF MODULE P.C.B. MOUNT - DAUGHTERCARD VITA
MATERIAL 1	FINISH 2	WEIGHT	SIZE CAGE CODE DRAWING NO A100779C=2828431	RESTRICTED TO
CUSTOMER DRAWING		SCALE 8:1	SHEET 1 OF 2	REV B

REVISIONS				
P.	LTN	DESCRIPTION	DATE	APVD
-		SEE SHEET 1	-	-



DESIGNED FOR VITA 67.1 PCB LAYOUT
(VIEW FROM TOP SIDE)

P2A	2.187[55.55]
P2B	2.743[69.67]
P3A	3.875[98.42]
P3B	4.431[112.54]
P4A	5.009[127.22]
P4B	5.565[141.34]
P5A	6.142[156.02]
P5B	6.698[170.14]
P6A	7.276[184.82]
P6B	7.832[198.94]
POSITION	DIM "X"

THIS DRAWING IS A CONTROLLED DOCUMENT.		DWN H. MILLER	23APR2015	 TE Connectivity
DIMENSIONS: INCHES/mm		CHK C. YI	14AUG2015	
TOLERANCES UNLESS OTHERWISE SPECIFIED:		APVD K. DOWNHOWER	11APR2018	NAME 8 POSITION NanoRF MODULE P.C.B. MOUNT - DAUGHTERCARD VITA
0 PLC ±. 1 PLC ±. 2 PLC ±. 3 PLC ±. 4 PLC ±.005[0.13] ANGLES ±.		PRODUCT SPEC 108-163006	APPLICATION SPEC 408-163016	
MATERIAL	FINISH	WEIGHT	SIZE A 00779	DRAWING NO C=2828431
CUSTOMER DRAWING		SCALE	5:1	SHEET 2 OF 2
		REV	B	