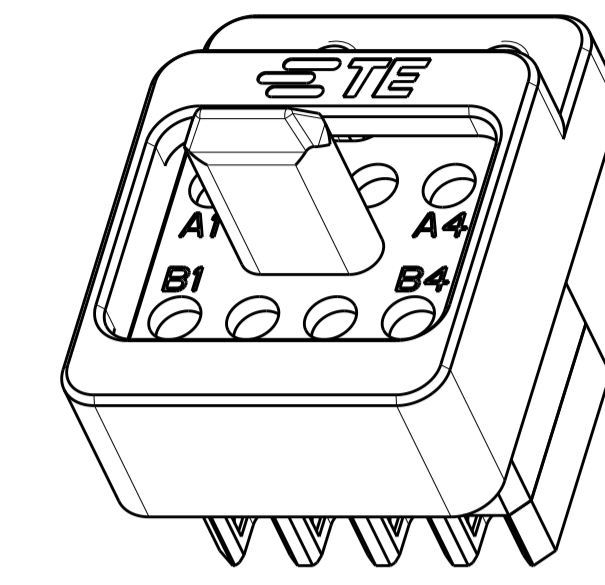
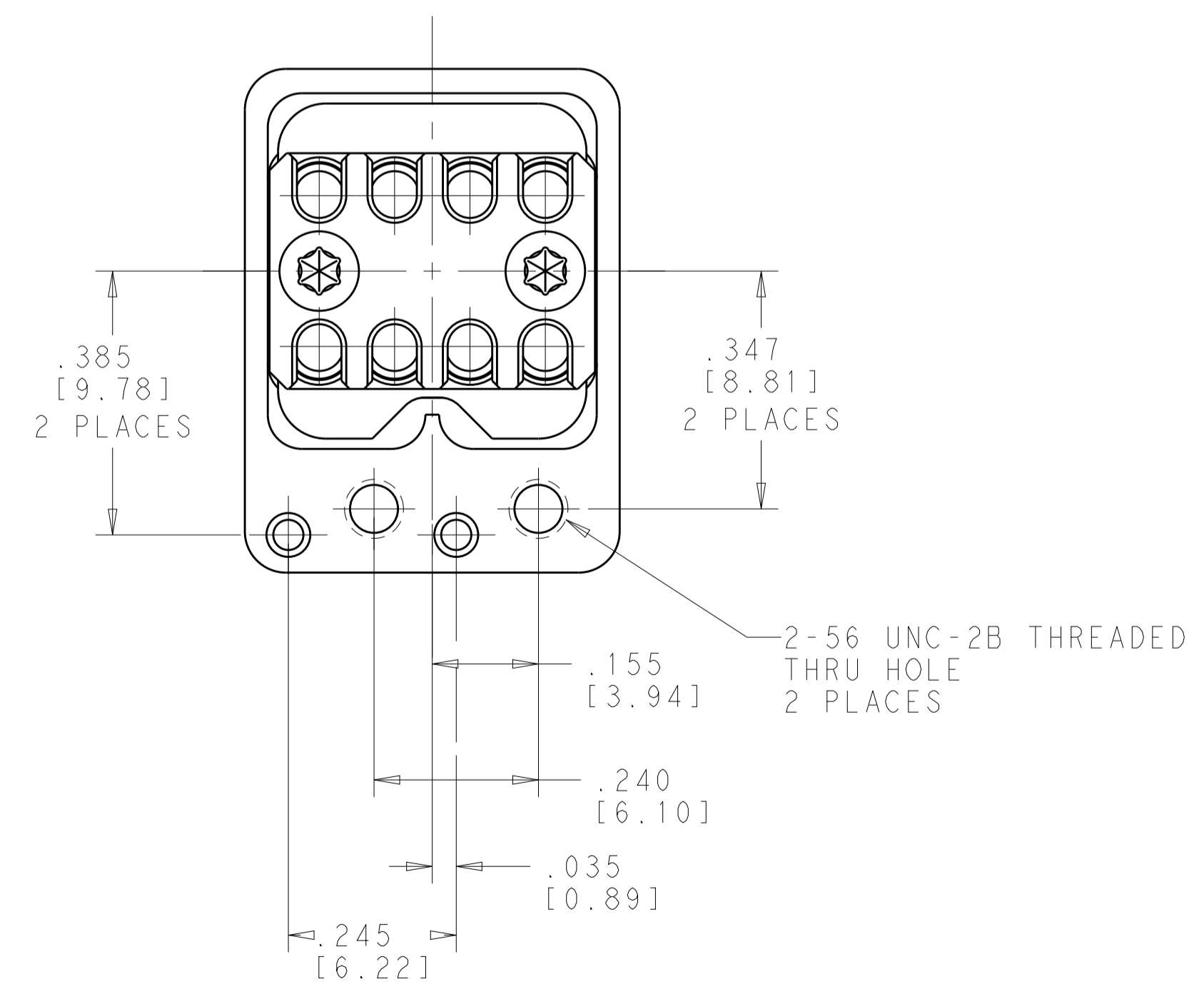
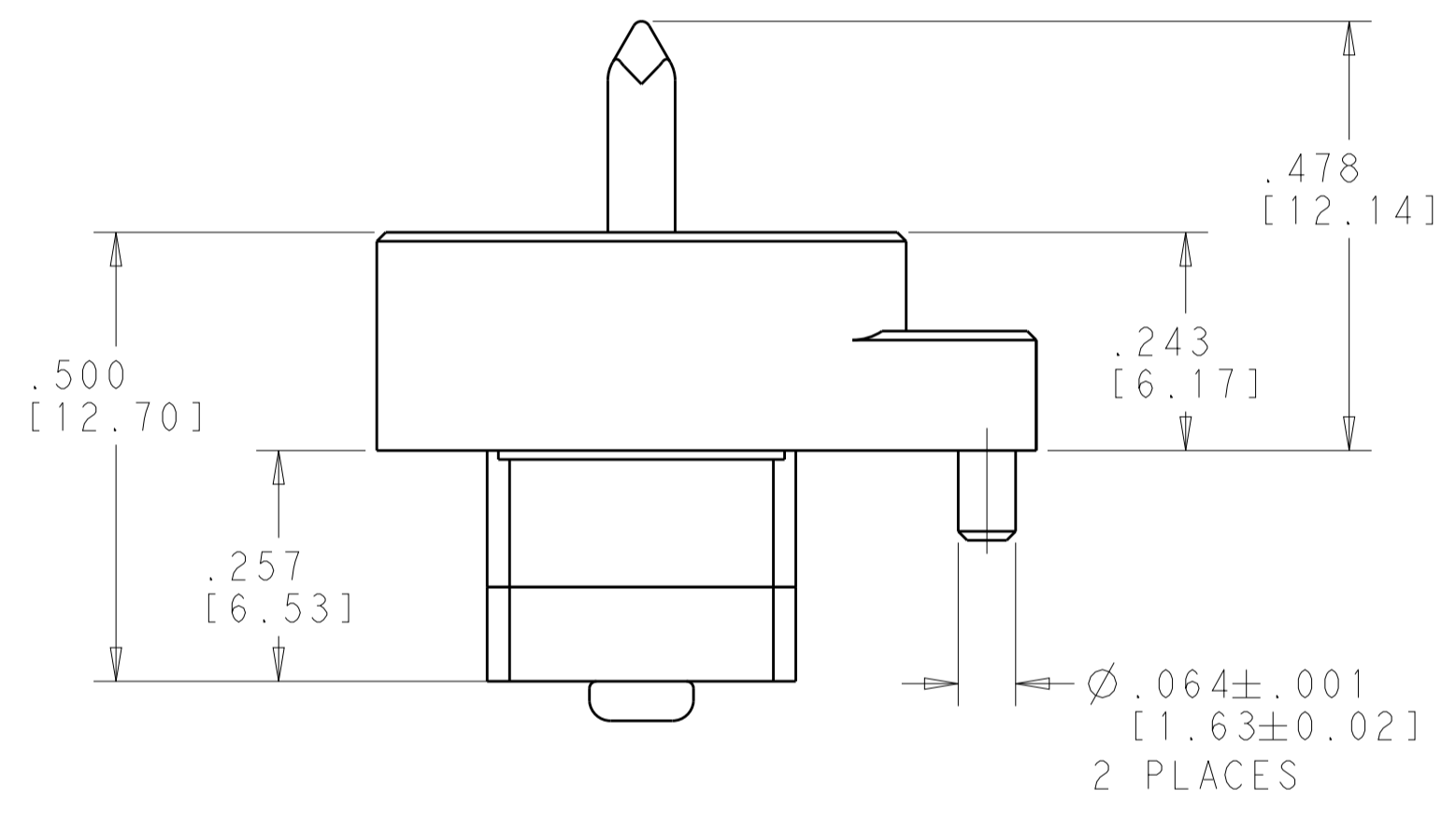
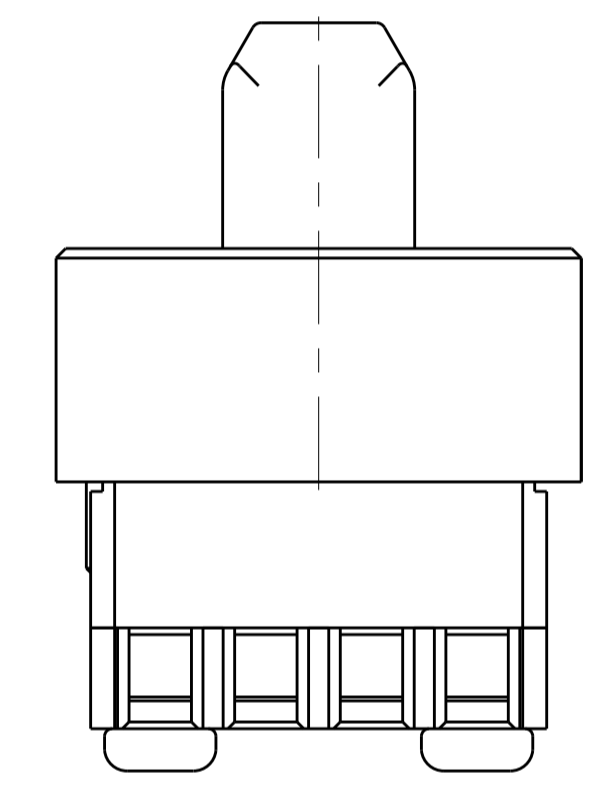
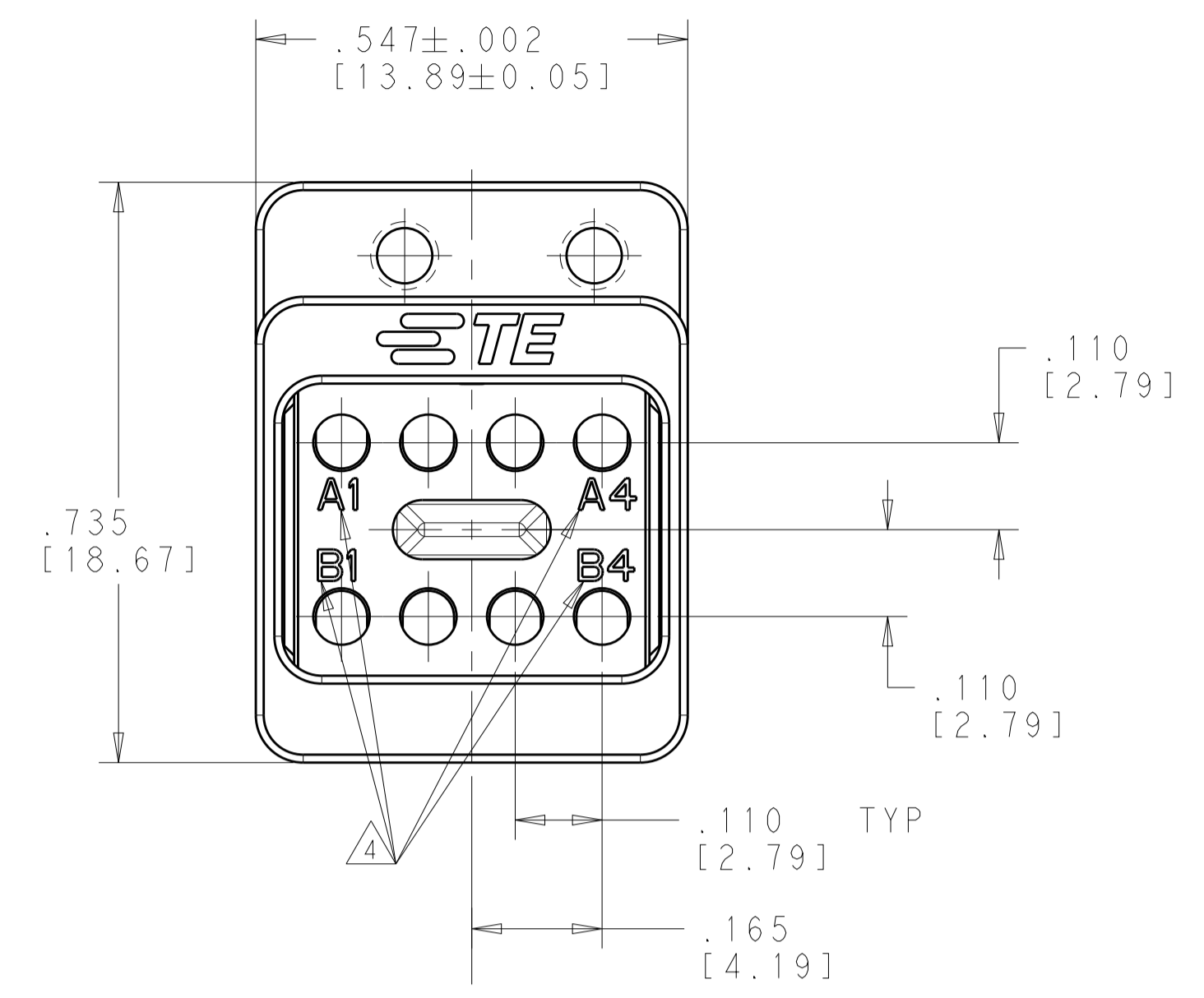
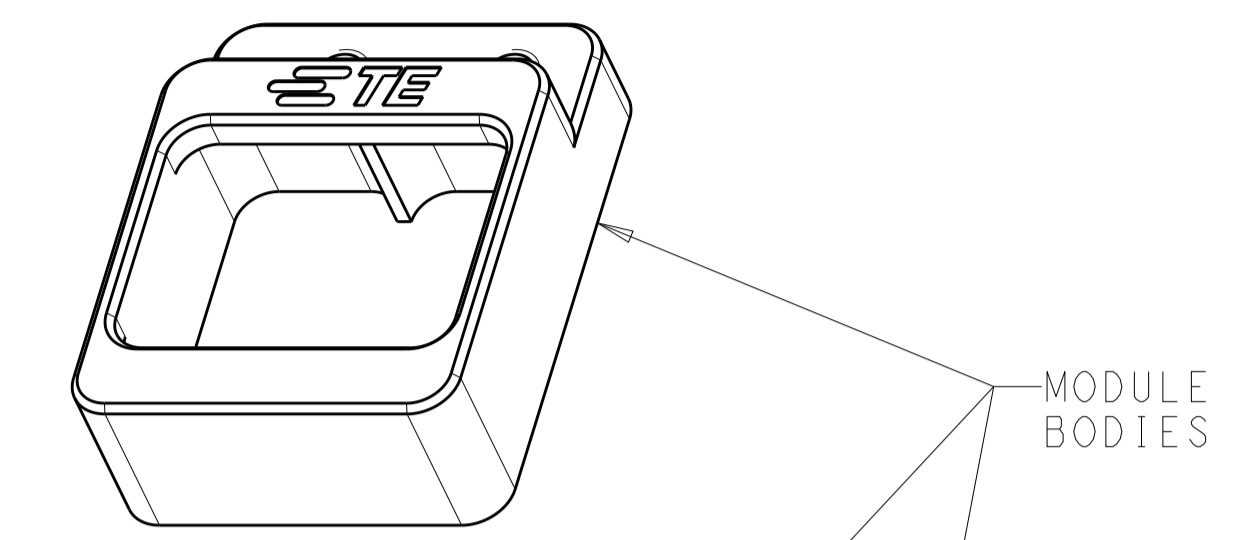


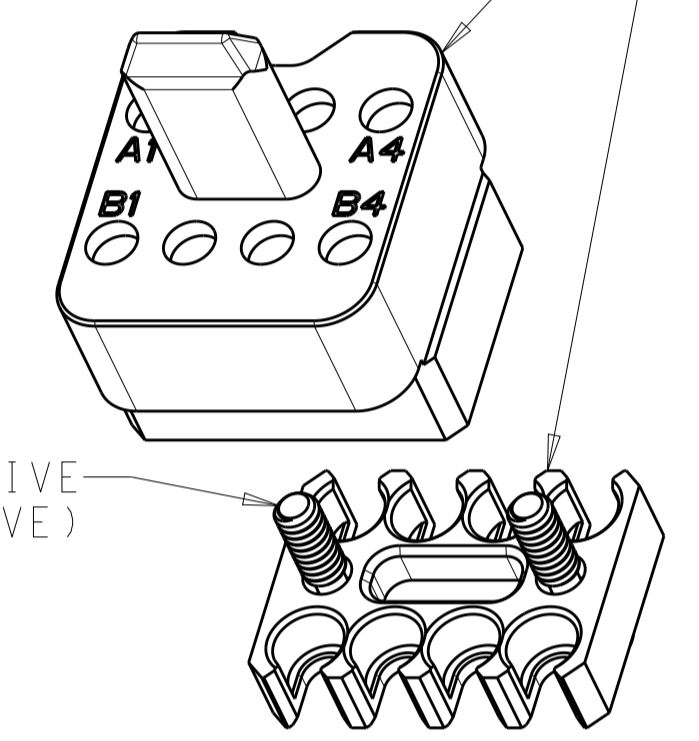
REVISIONS				
P.	LTN	DESCRIPTION	DATE	APP'D
C		REV PER ECO-19-005475	4-9-19	CT FB



SCALE 4:1



MODULE BODIES



0-80 UNF CAPTIVE SCREW (TORX DRIVE)

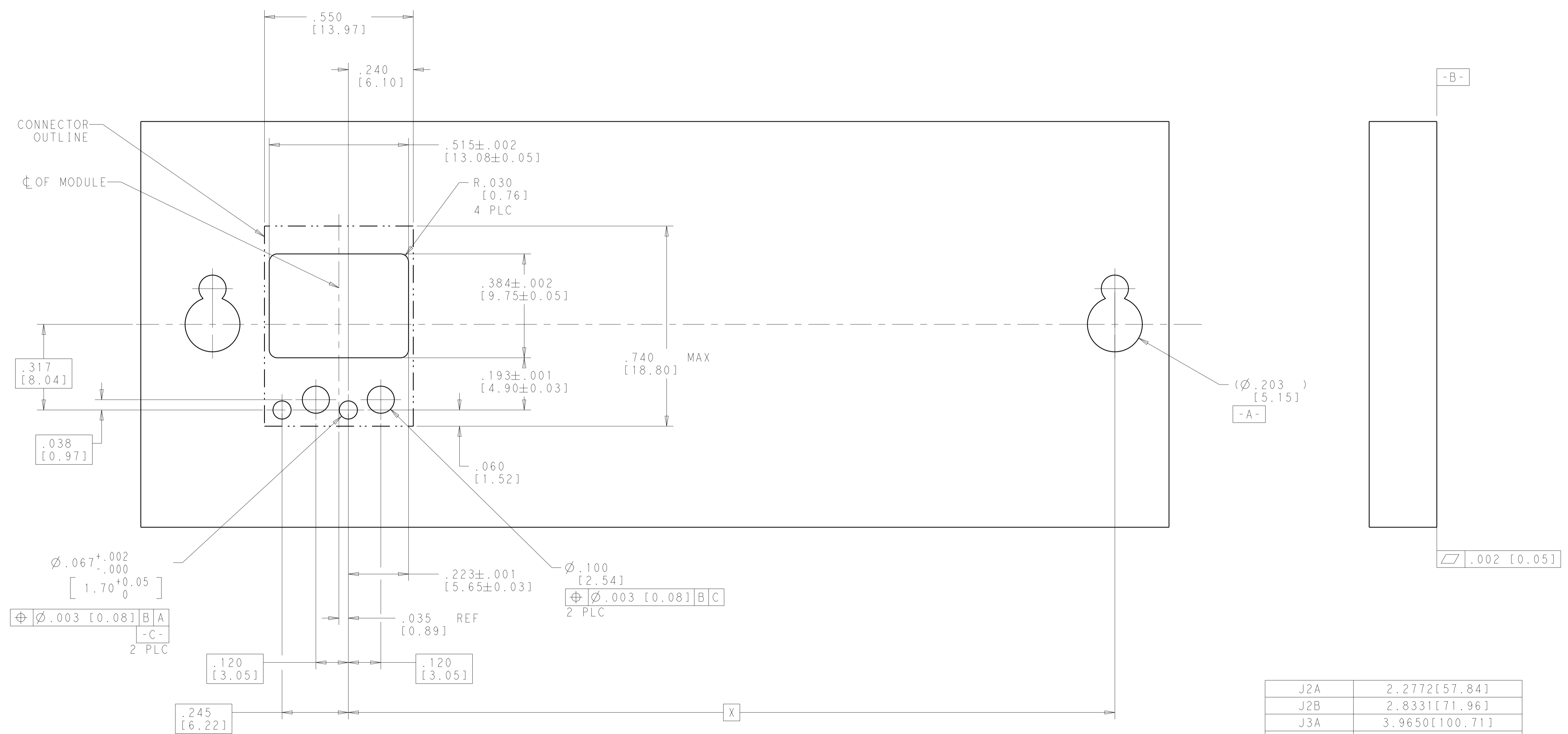
SCALE 4:1

- ① MATERIAL:
MODULE BODIES - SEE TABLE
GUIDE PIN - STAINLESS STEEL, PER UNS S30300
SCREWS - 300 SERIES STAINLESS STEEL
- ② FINISH:
MODULE BODIES - SEE TABLE
SCREWS AND GUIDE PIN - PASSIVATED
- 3. SHIPPED IN KIT FORM.
- ④ CIRCUIT IDENTIFICATION MARKING

CLEAR CHROMATE CONVERSION COATING	ALUMINUM	2828434-2
PASSIVATED	STAINLESS STEEL PER UNS S30300	2828434-1
MODULE FINISH ②	MODULE MATERIAL ①	PART NUMBER

THIS DRAWING IS A CONTROLLED DOCUMENT.		OWN: P. MILLER 23APR2015	TE Connectivity
DIMENSIONS: INCHES/mm		CHK: C. YI 14AUG2015	
TOLERANCES UNLESS OTHERWISE SPECIFIED:		APVD: K. DOWNHOWER 11APR2017	NAME: 8 POSITION NanoRF MODULE P.C.B. MOUNT - BACKPLANE VITA
0 PLC ± 1 PLC ± 2 PLC ± 3 PLC ±.005(0.13) 4 PLC ± ANGLES ±		PRODUCT SPEC: 108-163006 APPLICATION SPEC: 408-163016 WEIGHT:	
MATERIAL ①	FINISH ②	CUSTOMER DRAWING	SIZE: A 00779 C=2828434 SCALE: 5:1 SHEET 1 OF 2 REV C

REVISIONS				
P.	LTN	DESCRIPTION	DATE	APVD
-		SEE SHEET 1	-	-



TYP PCB LAYOUT - VIEWED FROM BACKSIDE OF BACKPLANE

J2A	2.2772[57.84]
J2B	2.8331[71.96]
J3A	3.9650[100.71]
J3B	4.5209[114.83]
J4A	5.0988[129.51]
J4B	5.6547[143.63]
J5A	6.2327[158.31]
J5B	6.7886[172.43]
J6A	7.3665[187.11]
J6B	7.9224[201.23]
POSITION	DIM "X"

THIS DRAWING IS A CONTROLLED DOCUMENT.		DWN R. MILLER 23APR2015	TE Connectivity
DIMENSIONS: INCHES/mm		CHK C. YI 14AUG2015	
TOLERANCES UNLESS OTHERWISE SPECIFIED:		APVD K. DOWNHOWER 11APR2017	NAME 8 POSITION NanoRF MODULE P.C.B. MOUNT - BACKPLANE VITA
0 PLC ± 1 PLC ± 2 PLC ± 3 PLC ±.005[0.13] 4 PLC ± ANGLES ±		PRODUCT SPEC 108-163006	RESTRICTED TO
MATERIAL		APPLICATION SPEC 408-163016	SIZE CAGE CODE DRAWING NO A100779C=2828434
FINISH		WEIGHT	SCALE 8:1 SHEET 2 OF 2 REV C
CUSTOMER DRAWING			