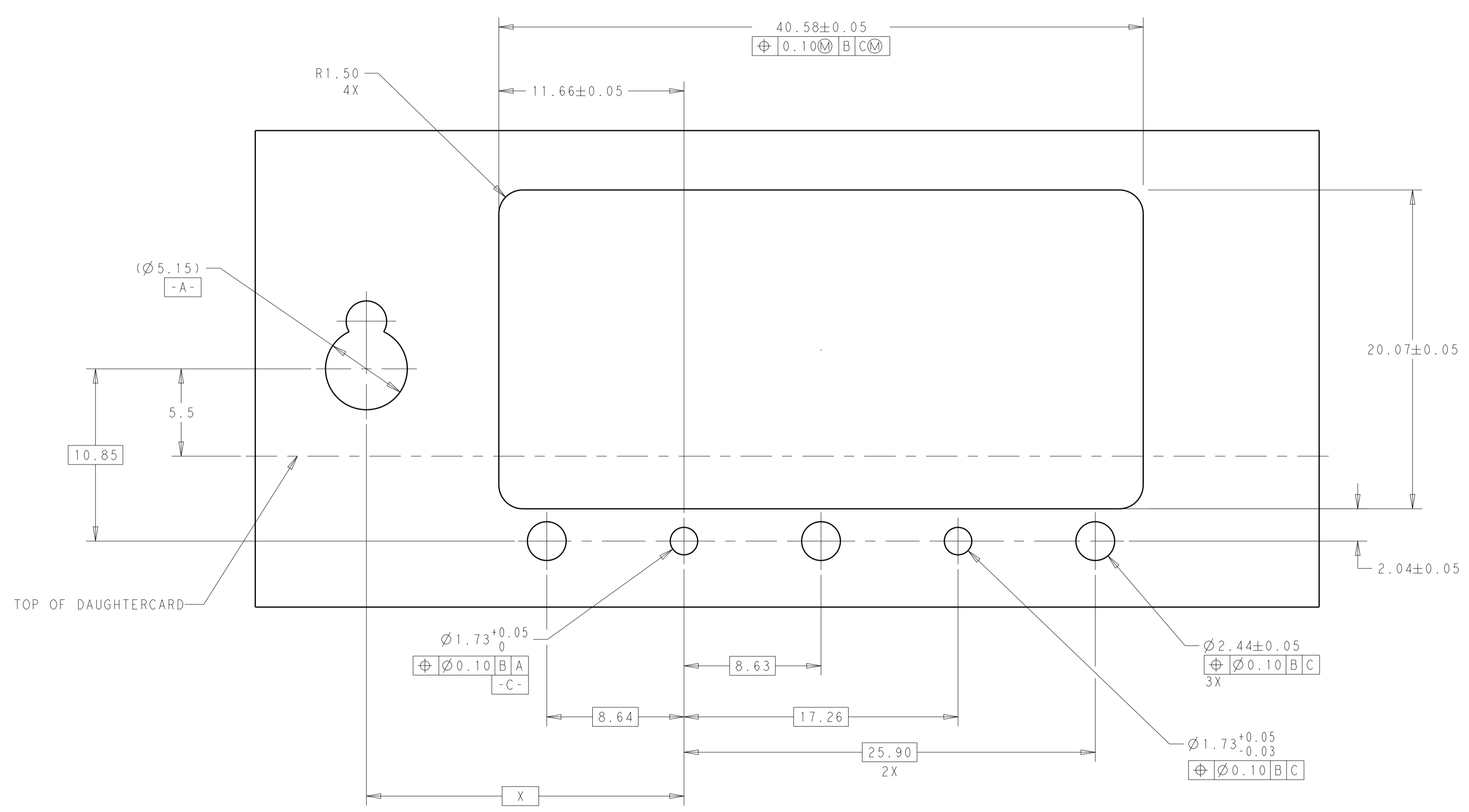
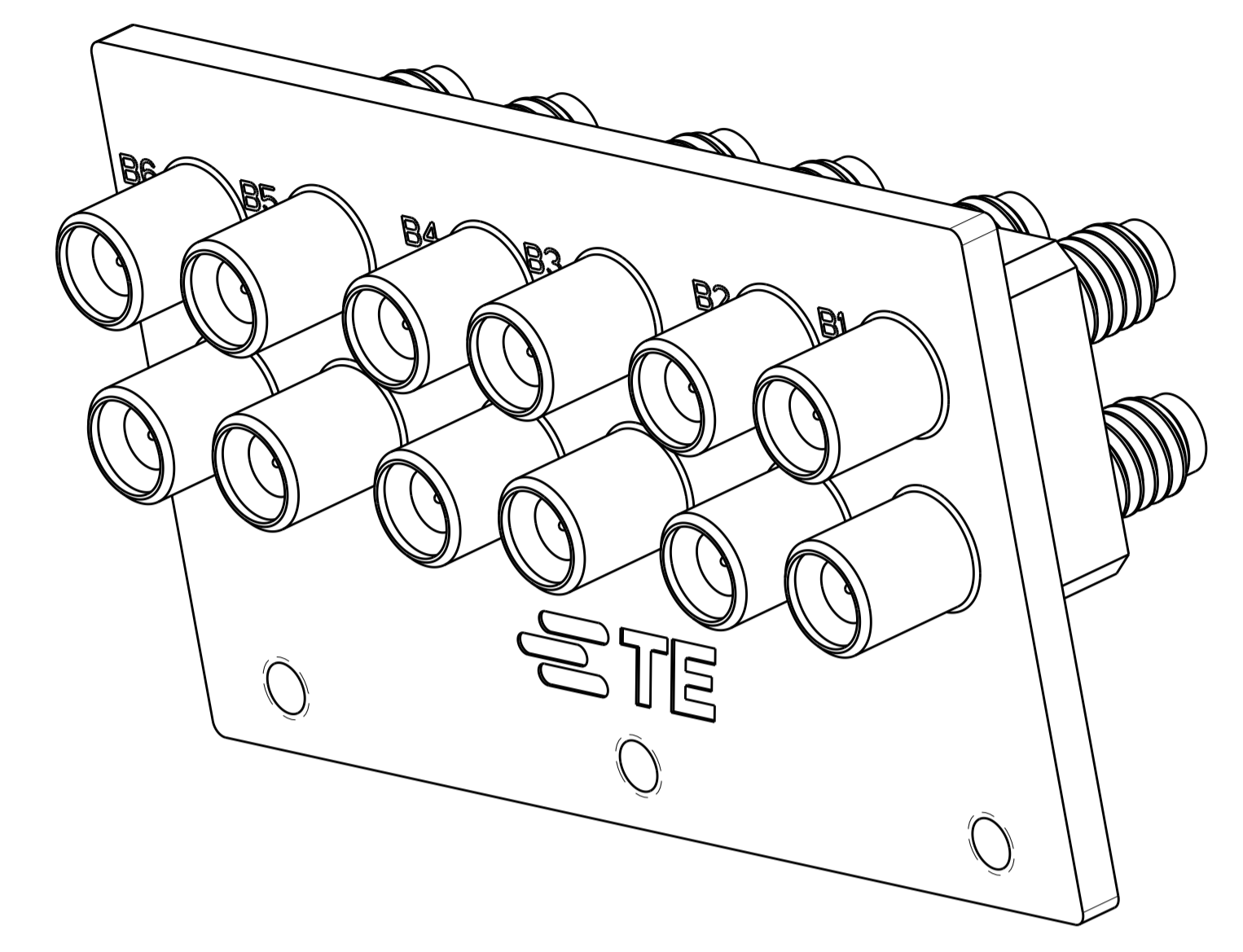
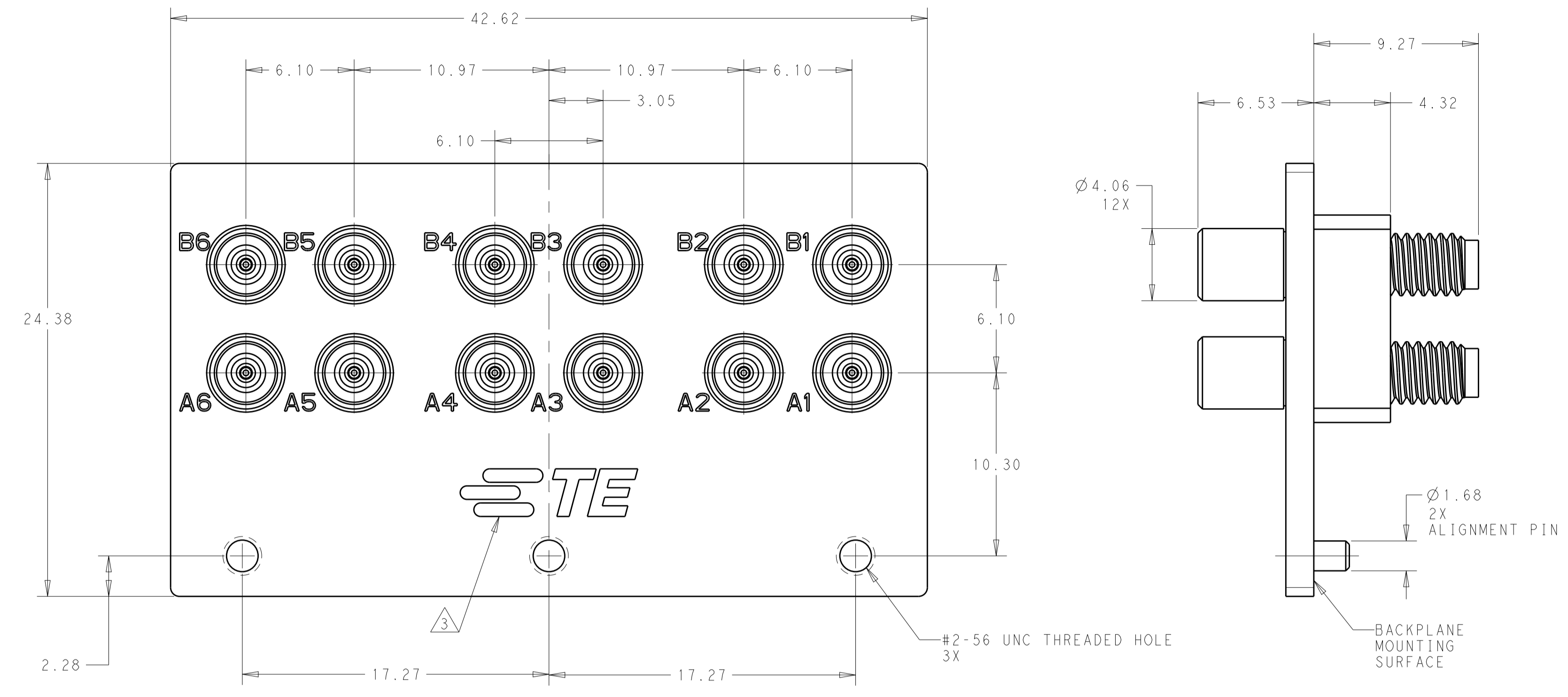


REVISIONS				
P.	LTN.	DESCRIPTION	DATE	APP'D.
A		RELEASED PER ECO 16-008512	6-9-16	CT DW



- 1 MATERIAL:
 CONNECTOR BODY: STAINLESS STEEL
 SMPM CONTACTS: BERYLLIUM COPPER
 INSULATORS: TEFLON
 OSM CONTACTS: STAINLESS STEEL
- 2 FINISH:
 CONNECTOR BODY: PASSIVATED
 SMPM CONTACTS: GOLD OVER NICKEL
 OSM CONTACTS: PASSIVATED
- 3 PART NUMBER AND DATE CODE MARKING

**RECOMMENDED BACKPLANE CUT OUT
 (SEE VITA 67.3, MODULE "E"; FIGURE 6.1.5.2-1)**

THIS DRAWING IS A CONTROLLED DOCUMENT.		DWN M. MILLER 26 JAN 2016	2828777-1 PART NO	
DIMENSIONS:		CHK C. YI 26 JAN 2016	APVD C. YI 26 JAN 2016	
mm	TOLERANCES UNLESS OTHERWISE SPECIFIED:	NAME CONNECTOR KIT, RECEPTACLE 12 POSITION OSM, VITA 67.3, MODULE E COMPATIBLE		
Ø	0 PLC ±	PRODUCT SPEC		
Ø	1 PLC ±	APPLICATION SPEC		
Ø	2 PLC ±0.13	SIZE A100779C=2828777		
Ø	3 PLC ±0.013	WEIGHT		
Ø	4 PLC ±	CUSTOMER DRAWING		
ANGLES	FINISH	SCALE 5:1 SHEET 1 OF 1 REV A		