

4

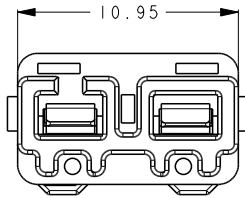
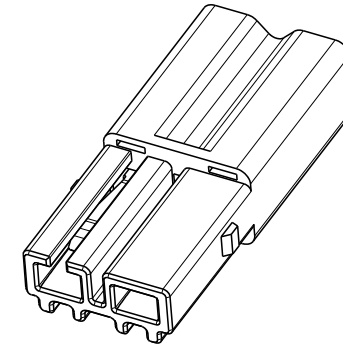
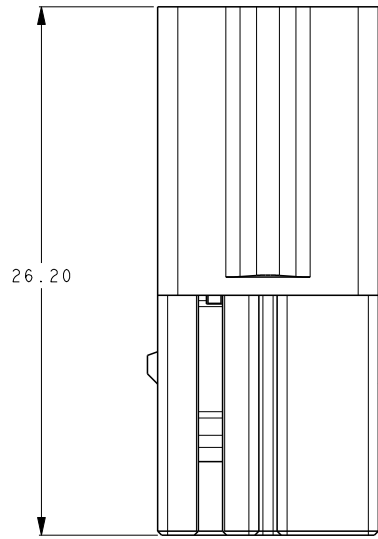
3

2

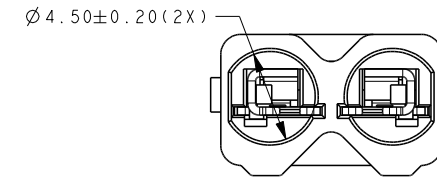
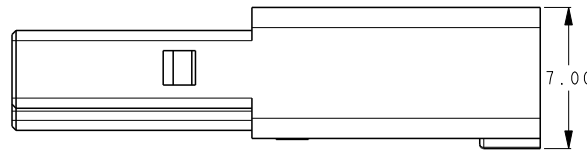
1

THIS DRAWING IS UNPUBLISHED. RELEASED FOR PUBLICATION 20
 © COPYRIGHT 20 ALL RIGHTS RESERVED.

LOC	DIST	REVISIONS			
P	LTR	DESCRIPTION	DATE	DWN	APVD
ES					
	C	ECR-17-000969	20DEC2016	X.X	X.X
	D	ECR-18-018978	15FEB2019	F.F	M.S
	E	ECR-19-010701	16AUG2019	M.S	M.S
	E1	ECR-19-013399	26DEC2019	F.F	M.S



SCALE 4:1



PART NUMBER	PART COLOR
2834036-1	ORANGE

NOTES:

- 1. TE PART NUMBER: SEE TABLE.
- 2. MATERIAL
- 3. TERMINAL: COPPER ALLOY.
- 4. HOUSING: NYLON, UL 94-V0. COLOR: ORANGE.
- 5. FINISH
- 6. TERMINAL: TIN PLATING OVERALL.
- 7. APPLICABLE MATING RECEPTACLE: 2834037 SERIES.
- 8. APPLICABLE WIRE: 18-22 AWG SOLID.
- 9. STRIP LENGTH: 9.0-9.5mm.
- 10. PRODUCT COMPLIES TO UL 2459 REQUIREMENT AND QUALIFIED: ZMNA.E308110; ZMNA7.E208110.

THIS DRAWING IS A CONTROLLED DOCUMENT.		DWN	26DEC2019	STE TE Connectivity				
		CHK	FRANK FAN					
		APVD	GEORGE FU					
		NAME	MING SHI					
DIMENSIONS:		TOLERANCES UNLESS OTHERWISE SPECIFIED:		PLUG 2 PIN WIRE TO WIRE CONNECTOR				
mm		± 0.5						
		0-PLC ±						
		1-PLC ±10						
		2-PLC ±5.0						
		3-PLC ±						
MATERIAL		FINISH		SIZE	CAGE CODE	DRAWING NO	RESTRICTED TO	
				WEIGHT		A300779	C-2834036	
				CUSTOMER DRAWING		SCALE 4:1	SHEET 1 OF 2	REV E1

4

3

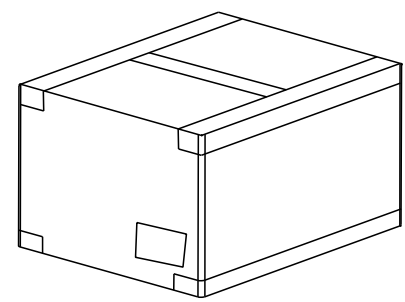
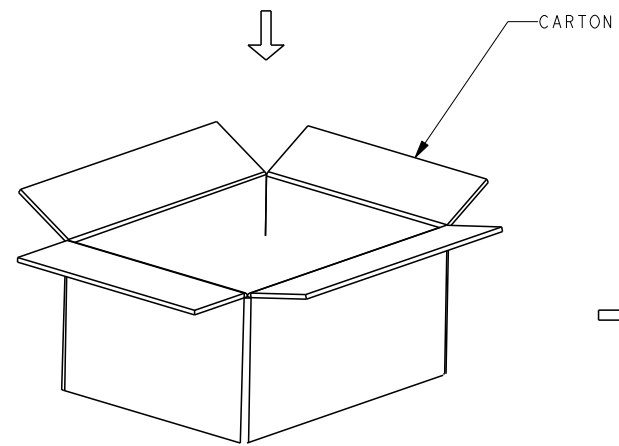
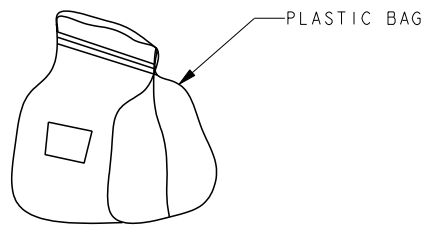
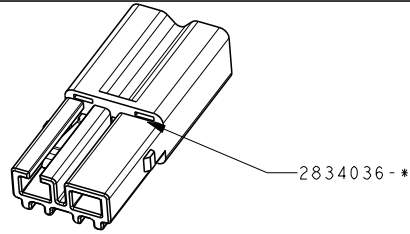
2

1

THIS DRAWING IS UNPUBLISHED. RELEASED FOR PUBLICATION 20

© COPYRIGHT 20 ALL RIGHTS RESERVED.

LOC	DIST	REVISIONS					
ES		P	LTR	DESCRIPTION	DATE	DWN	APVD



NOTE:
1. PACKAGING QUANTITY: SEE TABLE.

PARTS PER BAG	BAGS PER CARTON	PARTS PER CARTON
500 PCS	8	4000 PCS

THIS DRAWING IS A CONTROLLED DOCUMENT.		DWN	26DEC2019	STE TE Connectivity					
		CHK	FRANK FAN						
		APVD	GEORGE FU						
		NAME	MING SHI						
DIMENSIONS:	TOLERANCES UNLESS OTHERWISE SPECIFIED:	PRODUCT SPEC		PLUG 2 PIN WIRE TO WIRE CONNECTOR					
mm		-							
	0 PLC	±		SIZE	CAGE CODE	DRAWING NO	RESTRICTED TO		
	1 PLC	±	10	A300779	C=2834036				
	2 PLC	±	5.0						
	3 PLC	±							
4 PLC	±								
	ANGLES	±	5°	WEIGHT	-				
MATERIAL	FINISH	-		CUSTOMER DRAWING					
				SCALE	4:1	SHEET	2 OF 2	REV	E1