

THIS DRAWING IS UNPUBLISHED.

RELEASED FOR PUBLICATION

20

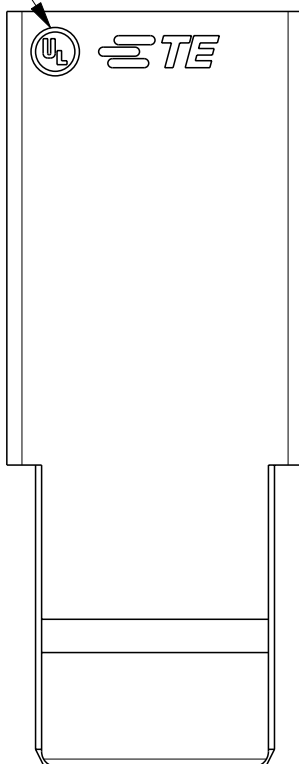
© COPYRIGHT 20 BY -

ALL RIGHTS RESERVED.

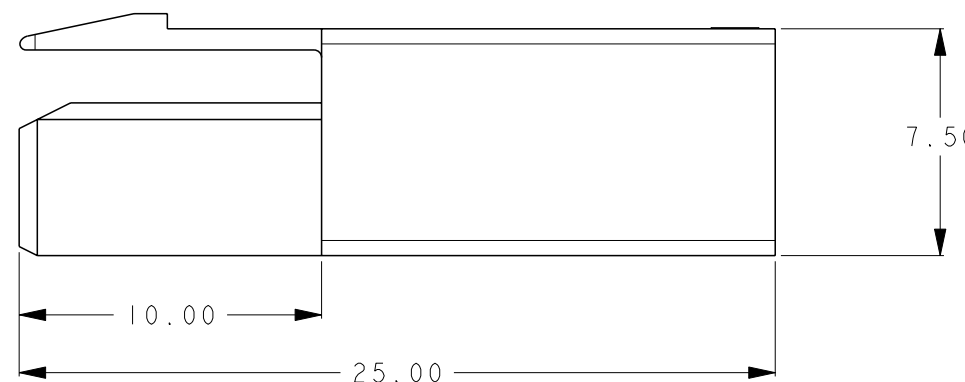
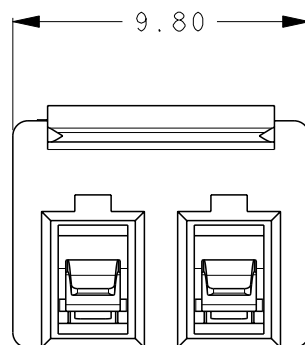
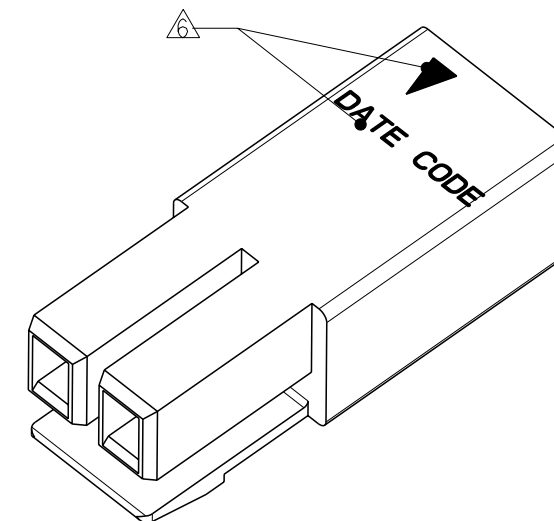
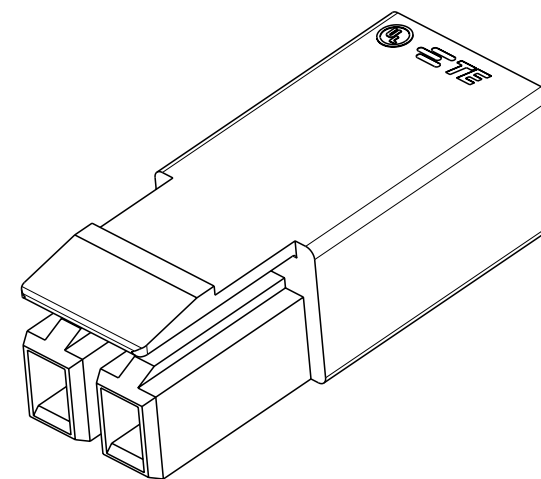
REVISIONS

P	LTR	DESCRIPTION	DATE	DWN	APVD
A		INITIAL RELEASE	6JUN2016	Z.W	X.X
B		ADD UL MARK	16JUL2018	Z.W	S.M
BI		ECR-21-104905	11JUN2021	F.F	M.S

Ⓢ UL MARK



DATE CODE  
 YY WW X  
 ↑ ↑ ↑  
 YY=YEAR  
 EX: 16=2016  
 WW=WEEK  
 EX: 12=12  
 X=DAY  
 EX: 5=5




NOTE:

- PART NUMBER: SEE TABLE.
  - MATERIAL:  
 TERMINAL: COPPER ALLOY  
 HOUSING: THERMOPLASTIC, UL94-V0.
  - FINISH  
 TERMINAL: TIN PLATING OVERALL.
  - PACKAGING: PLASTIC BAG.
  - APPLICABLE WIRE:  
 SOLID: 18-22AWG.  
 STRANDED WIRE: 16-20 AWG(26 STRANDS MAX. FOR 16 AWG  
 16 STRANDS MAX. FOR 18AWG, 7 STRANDS MAX. FOR 20AWG.  
 (14AWG: 7 STRANDS, 16 AWG: 26 STRANDS, 18AWG:16STRANDS)
- ⚠ MARK APPROXIMATION LOCATION.

AS SHOWN: 2834048-1/2/3/4

2834048-4	2834049-4	RED
2834048-3	2834049-3	ORANGE
2834048-2	2834049-2	BLACK
2834048-1	2834049-1	NATURAL
PART NUMBER	MATING SIDE P/N	PART COLOR

THIS DRAWING IS A CONTROLLED DOCUMENT.		DWN 11JUN2021 FRANK FAN	 TE Connectivity NAME 2 PIN LATCHED WIRE TO WIRE CONNECTOR PLUG ASSEMBLY				
DIMENSIONS: mm		CHK 11JUN2021 GEORGE FU					
TOLERANCES UNLESS OTHERWISE SPECIFIED: ±0.5		APVD 11JUN2021 MING SHI					
0-PLC ± 1-PLC ± 2-PLC ± 3-PLC ± 4-PLC ± ANGLES ±1°		PRODUCT SPEC 108-137159					
MATERIAL -		APPLICATION SPEC 114-137159	SIZE A300779	CAGE CODE C-2834048	DRAWING NO -	RESTRICTED TO	
-		FINISH -	WEIGHT 1.35g	SCALE 3:1		SHEET 1 OF 3	REV BI
-			CUSTOMER DRAWING				

printed on 1 Jun 2021 08:59 (China Standard Time) from TE310617

A

A

D

D

C

B

THIS DRAWING IS UNPUBLISHED.

RELEASED FOR PUBLICATION

20

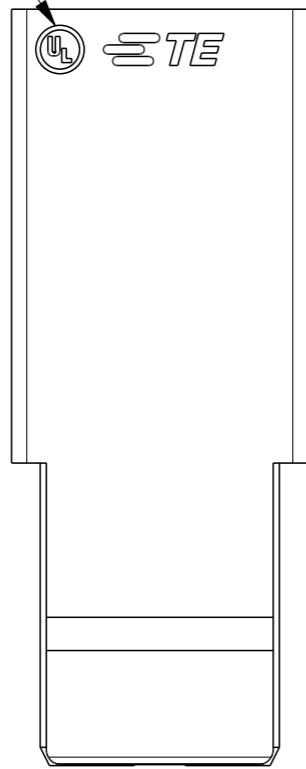
© COPYRIGHT 20 BY -

ALL RIGHTS RESERVED.

REVISIONS

P	LTR	DESCRIPTION	DATE	DWN	APVD
		SEE SHEET 1			

UL MARK



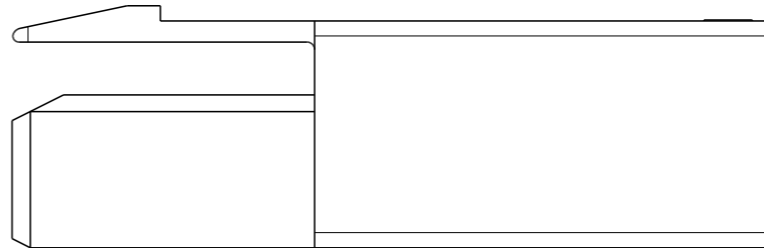
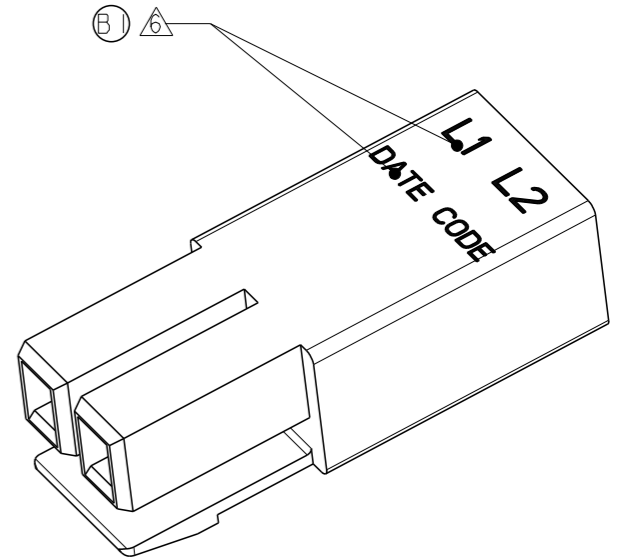
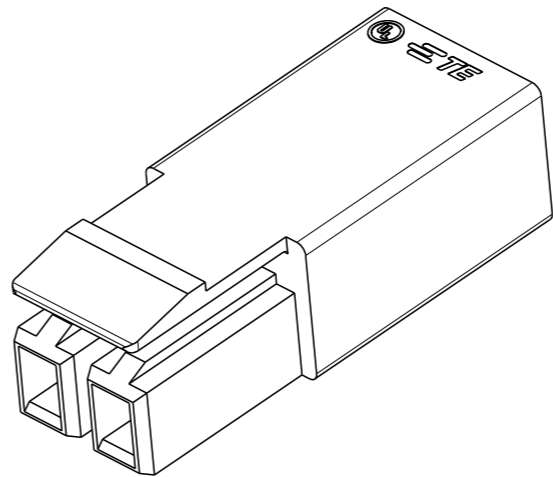
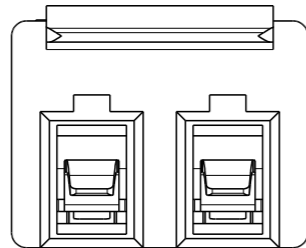
DATE CODE

YY WW X

YY=YEAR  
EX: 16=2016

WW=WEEK  
EX: 12=12


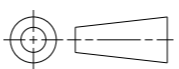
X=DAY  
EX: 5=5



- NOTE:
- PART NUMBER: SEE TABLE.
  - MATERIAL:  
TERMINAL: COPPER ALLOY  
HOUSING: THERMOPLASTIC, UL94-V0.
  - FINISH  
TERMINAL: TIN PLATING OVERALL.
  - PACKAGING: PLASTIC BAG.
  - APPLICABLE WIRE:  
SOLID: 18-22AWG.  
STRANDED WIRE: 16-20 AWG(26 STRANDS MAX. FOR 16 AWG  
16 STRANDS MAX. FOR 18AWG, 7 STRANDS MAX. FOR 20AWG.  
(14AWG: 7 STRANDS, 16 AWG: 26 STRANDS, 18AWG: 16STRANDS)
- ⚠ MARK APPROXIMATION LOCATION.

AS SHOWN: 1 - 2834048 - 1 / 2 / 3 / 4

PART NUMBER	MATING SIDE P/N	PART COLOR
1-2834048-4	4-2834049-4	RED
1-2834048-3	4-2834049-3	ORANGE
1-2834048-2	4-2834049-2	BLACK
1-2834048-1	4-2834049-1	NATURAL

THIS DRAWING IS A CONTROLLED DOCUMENT.		DWN FRANK FAN 11JUN2021	 TE Connectivity	
DIMENSIONS: mm		CHK GEORGE FU 11JUN2021		
TOLERANCES UNLESS OTHERWISE SPECIFIED: ±0.5		APVD MING SHI 11JUN2021	NAME 2 PIN LATCHED WIRE TO WIRE CONNECTOR PLUG ASSEMBLY	
		PRODUCT SPEC 108-137159	RESTRICTED TO	
MATERIAL -		APPLICATION SPEC 114-137159	SIZE A300779	DRAWING NO C-2834048
FINISH -		WEIGHT 1.35g	CAGE CODE	SCALE 3:1
		CUSTOMER DRAWING	SHEET 2 OF 3	REV B1

Printed on 11 Jun 2021 09:00 (China Standard Time) from EST10617