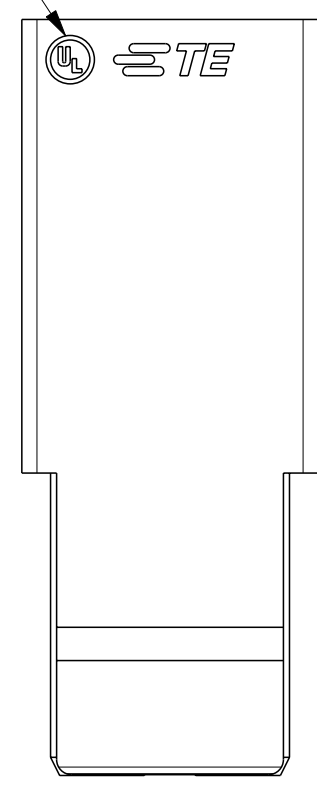


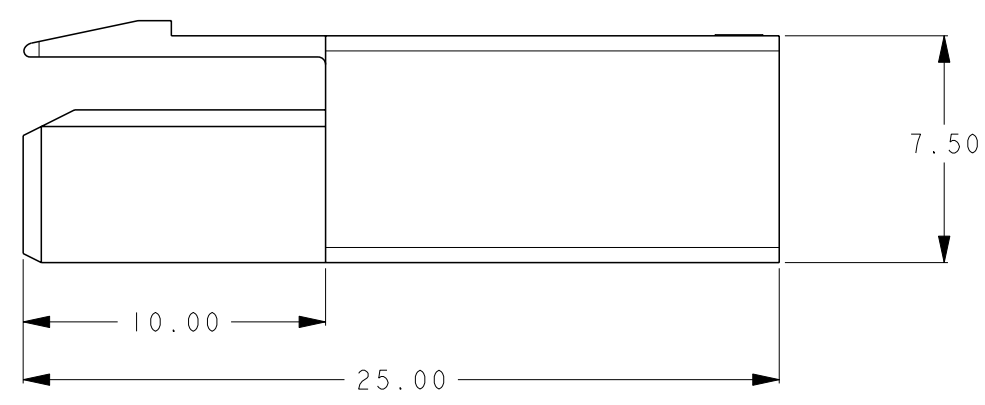
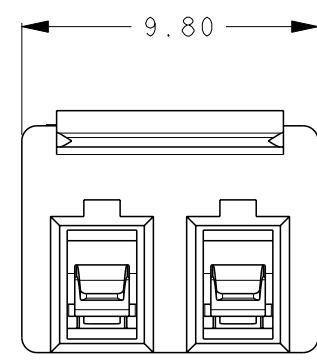
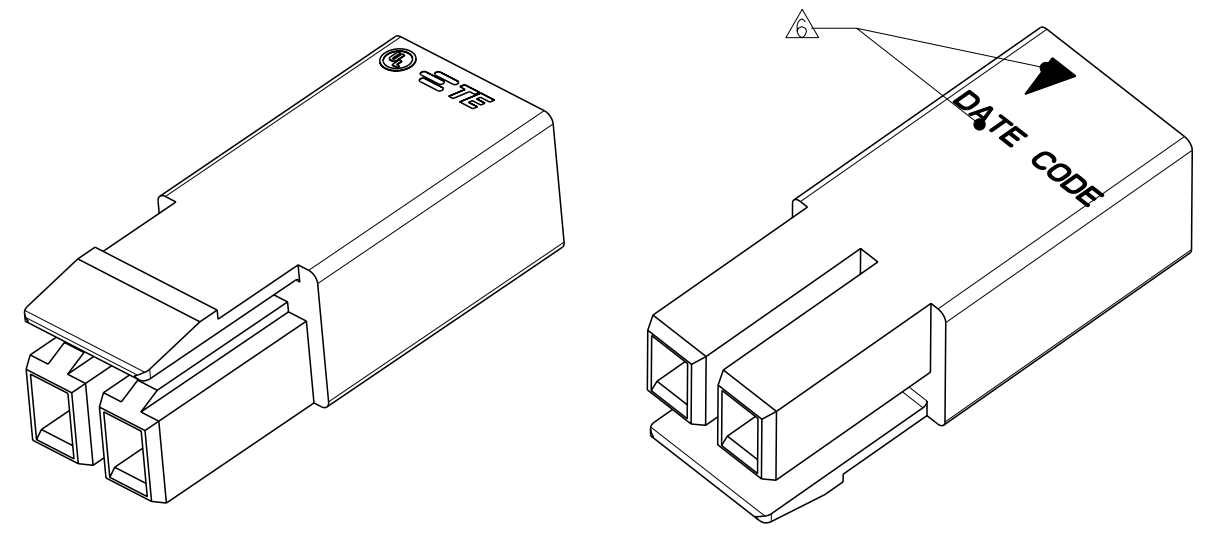
THIS DRAWING IS UNPUBLISHED. RELEASED FOR PUBLICATION 20
 © COPYRIGHT 20 BY - ALL RIGHTS RESERVED.

P	LTR	DESCRIPTION	DATE	DWN	APVD
	A	INITIAL RELEASE	6JUN2016	Z.W	X.X
	B	ADD UL MARK	16JUL2018	Z.W	S.M
	BI	ECR-21-104905	11JUN2021	F.F	M.S

Ⓢ UL MARK



DATE CODE
 YY WW X
 ↑ ↑ ↑
 YY=YEAR
 EX: 16=2016
 WW=WEEK
 EX: 12=12
 X=DAY
 EX: 5=5




NOTE:

- PART NUMBER: SEE TABLE.
 - MATERIAL:
 TERMINAL: COPPER ALLOY
 HOUSING: THERMOPLASTIC, UL94-V0.
 - FINISH
 TERMINAL: TIN PLATING OVERALL.
 - PACKAGING: PLASTIC BAG.
 - APPLICABLE WIRE:
 SOLID: 18-22AWG.
 STRANDED WIRE: 16-20 AWG(26 STRANDS MAX. FOR 16 AWG
 16 STRANDS MAX. FOR 18AWG, 7 STRANDS MAX. FOR 20AWG.
 (14AWG: 7 STRANDS, 16 AWG: 26 STRANDS, 18AWG:16STRANDS)
- ⚠ MARK APPROXIMATION LOCATION.

AS SHOWN: 2834048-1/2/3/4

2834048-4	2834049-4	RED
2834048-3	2834049-3	ORANGE
2834048-2	2834049-2	BLACK
2834048-1	2834049-1	NATURAL
PART NUMBER	MATING SIDE P/N	PART COLOR

THIS DRAWING IS A CONTROLLED DOCUMENT.		DWN 11JUN2021 FRANK FAN	 TE Connectivity NAME 2 PIN LATCHED WIRE TO WIRE CONNECTOR PLUG ASSEMBLY		
DIMENSIONS: mm		CHK 11JUN2021 GEORGE FU			PRODUCT SPEC 108-137159
TOLERANCES UNLESS OTHERWISE SPECIFIED: ±0.5		APVD 11JUN2021 MING SHI			APPLICATION SPEC 114-137159
0-PLC ± 1-PLC ± 2-PLC ± 3-PLC ± 4-PLC ± ANGLES ±1°		WEIGHT 1.35g			RESTRICTED TO
MATERIAL -		CUSTOMER DRAWING		SIZE A300779 CAGE CODE C-2834048 DRAWING NO SCALE 3:1 SHEET 1 OF 3 REV BI	

printed on 1 Jun 2021 08:59 (China Standard Time) from TE310617

THIS DRAWING IS UNPUBLISHED.

RELEASED FOR PUBLICATION

20

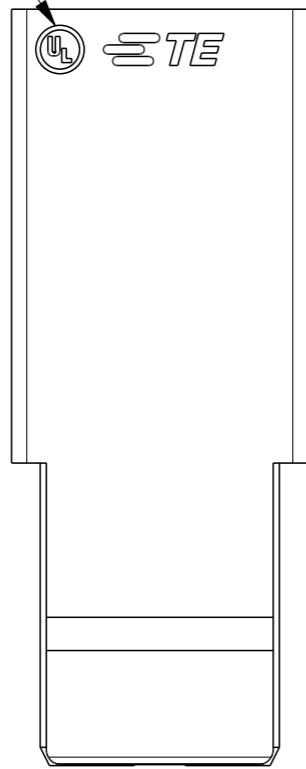
© COPYRIGHT 20 BY -

ALL RIGHTS RESERVED.

REVISIONS

P	LTR	DESCRIPTION	DATE	DWN	APVD
		SEE SHEET 1			

UL MARK



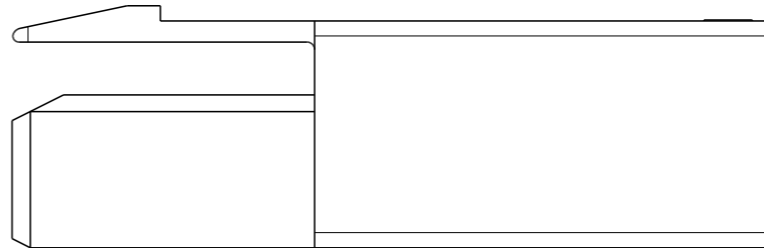
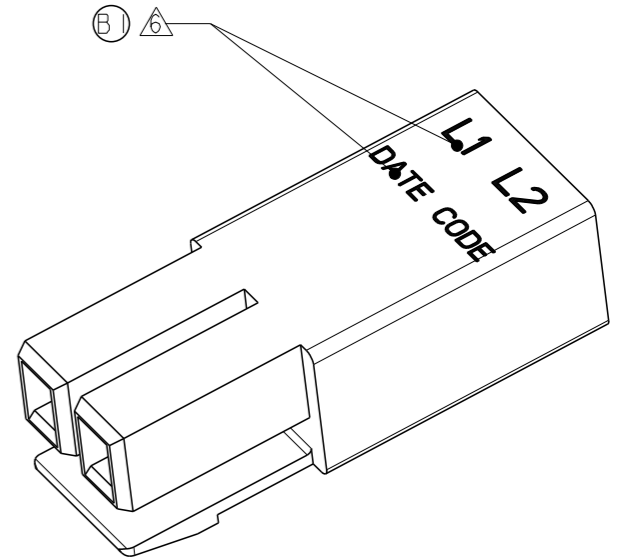
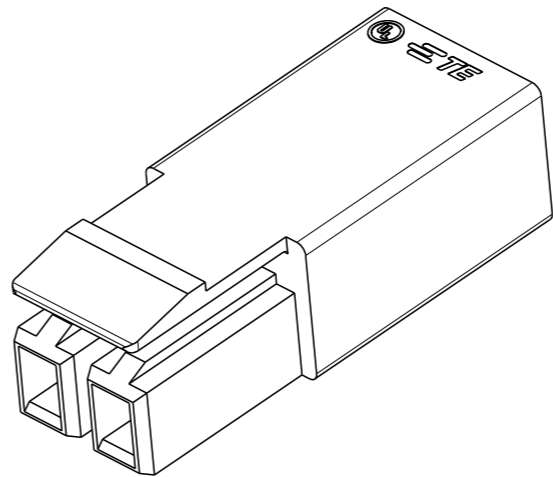
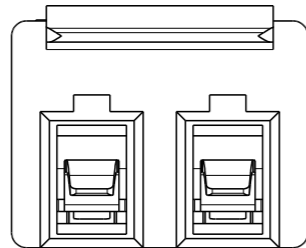
DATE CODE

YY WW X

YY=YEAR
EX: 16=2016

WW=WEEK
EX: 12=12


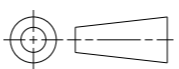
X=DAY
EX: 5=5



- NOTE:
- PART NUMBER: SEE TABLE.
 - MATERIAL:
TERMINAL: COPPER ALLOY
HOUSING: THERMOPLASTIC, UL94-V0.
 - FINISH
TERMINAL: TIN PLATING OVERALL.
 - PACKAGING: PLASTIC BAG.
 - APPLICABLE WIRE:
SOLID: 18-22AWG.
STRANDED WIRE: 16-20 AWG(26 STRANDS MAX. FOR 16 AWG
16 STRANDS MAX. FOR 18AWG, 7 STRANDS MAX. FOR 20AWG.
(14AWG: 7 STRANDS, 16 AWG: 26 STRANDS, 18AWG: 16STRANDS)
- ⚠ MARK APPROXIMATION LOCATION.

AS SHOWN: 1 - 2834048 - 1 / 2 / 3 / 4

PART NUMBER	MATING SIDE P/N	PART COLOR
1-2834048-4	4-2834049-4	RED
1-2834048-3	4-2834049-3	ORANGE
1-2834048-2	4-2834049-2	BLACK
1-2834048-1	4-2834049-1	NATURAL

THIS DRAWING IS A CONTROLLED DOCUMENT.		DWN FRANK FAN 11JUN2021	 TE Connectivity	
DIMENSIONS: mm		CHK GEORGE FU 11JUN2021		
TOLERANCES UNLESS OTHERWISE SPECIFIED: ±0.5		APVD MING SHI 11JUN2021	NAME 2 PIN LATCHED WIRE TO WIRE CONNECTOR PLUG ASSEMBLY	
		PRODUCT SPEC 108-137159	RESTRICTED TO	
MATERIAL -		APPLICATION SPEC 114-137159	SIZE A300779	DRAWING NO C-2834048
FINISH -		WEIGHT 1.35g	SCALE 3:1	SHEET 2 OF 3
		CUSTOMER DRAWING	REV B1	

Printed on 11 Jun 2021 09:00 (China Standard Time) from EST10617