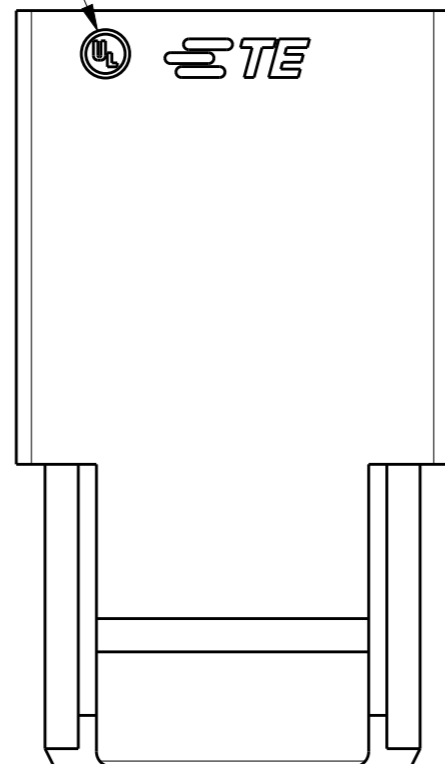


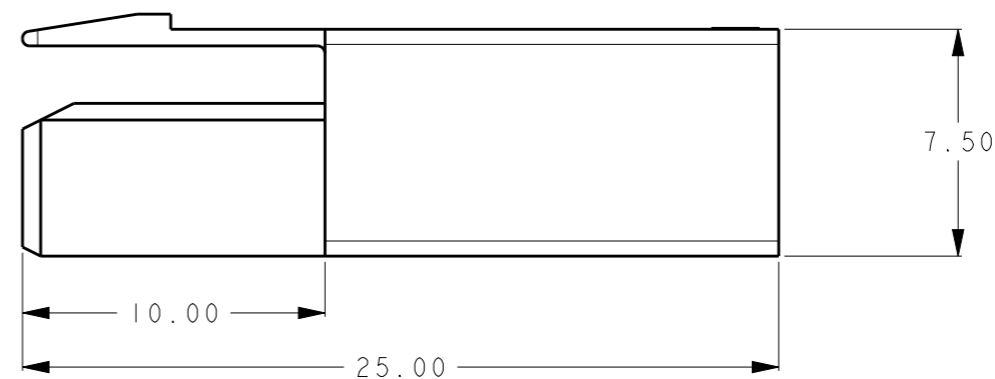
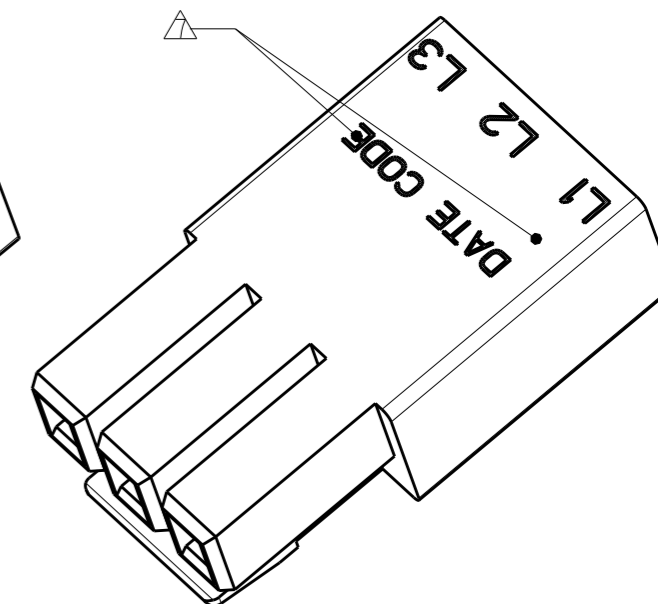
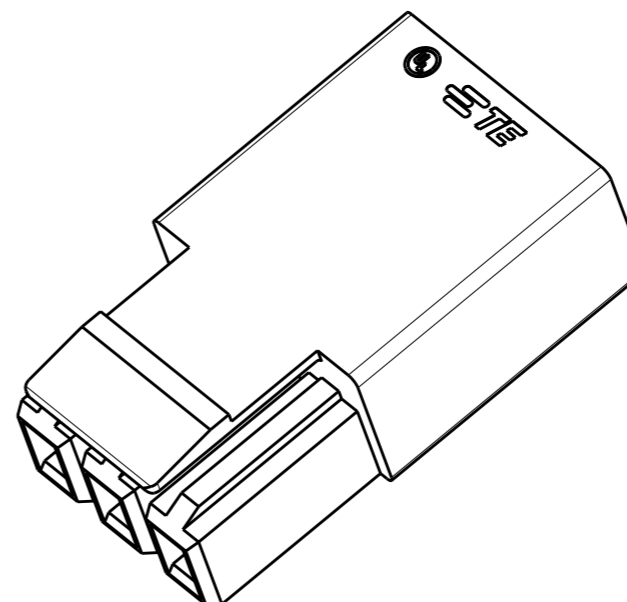
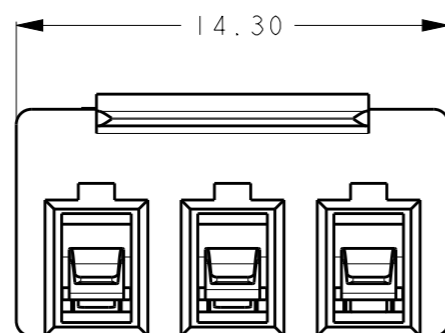
REVISIONS

| P | LTR | DESCRIPTION | DATE | DWN | APVD |
|---|-----|-----------------|--------------|-----|------|
| | A | INITIAL RELEASE | 11 JULY 2016 | Z.W | X.X |
| | B | ADD UL MARK | 16 JUL 2018 | Z.W | S.M |

UL MARK




DATE CODE
 YY WW X
 ↑ ↑ ↑
 YY=YEAR
 EX: 16=2016
 WW=WEEK
 EX: 12=12
 X=DAY
 EX: 5=5



NOTE:

- PART NUMBER: SEE TABLE.
 - MATERIAL:
 TERMINAL: COPPER ALLOY
 HOUSING: THERMOPLASTIC, UL94-V0.
 - FINISH
 TERMINAL: TIN PLATING OVERALL.
 - PACKAGING: PLASTIC BAG.
 - APPLICABLE WIRE:
 SOLID: 18-22AWG
 STRANDED WIRE: 16-20AWG(26 STRANDS MAX. FOR 16AWG
 16 STRANDS MAX. FOR 18AWG, 7 STRANDS MAX. FOR 20AWG)
- △ MARK APPROXIMATION LOCATION.

| | | |
|-------------|-------------|------------|
| 2834054-4 | 2834055-4 | RED |
| 2834054-3 | 2834055-3 | ORANGE |
| 2834054-2 | 2834055-2 | BLACK |
| 2834054-1 | 2834055-1 | NATURAL |
| PART NUMBER | MATING PART | PART COLOR |

| | | | | |
|---|--|--------------------------------|---|--|
| THIS DRAWING IS A CONTROLLED DOCUMENT. | | DWN 18DEC2015 ZHANG WEI |  TE Connectivity | |
| DIMENSIONS: mm | | CHK 18DEC2015 SHI MING | | |
| TOLERANCES UNLESS OTHERWISE SPECIFIED: ±0.50 | | APVD 18DEC2015 XU XIANG | NAME 3 PIN WIRE TO WIRE CONNECTOR PLUG ASSEMBLY | |
| 0-PLC ± 1-PLC ± 2-PLC ± 3-PLC ± 4-PLC ± ANGLES ±1° | | PRODUCT SPEC 108-137160 | SIZE CAGE CODE DRAWING NO RESTRICTED TO | |
| MATERIAL | | APPLICATION SPEC 114-137160 | A300779 C-2834054 | |
| FINISH | | WEIGHT 1.95g | SCALE 2:1 SHEET 1 OF 2 REV B | |
| | | CUSTOMER DRAWING | | |

THIS DRAWING IS UNPUBLISHED.

RELEASED FOR PUBLICATION

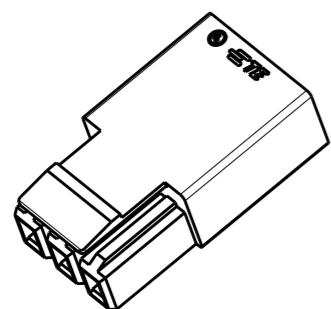
20

© COPYRIGHT 20 BY -

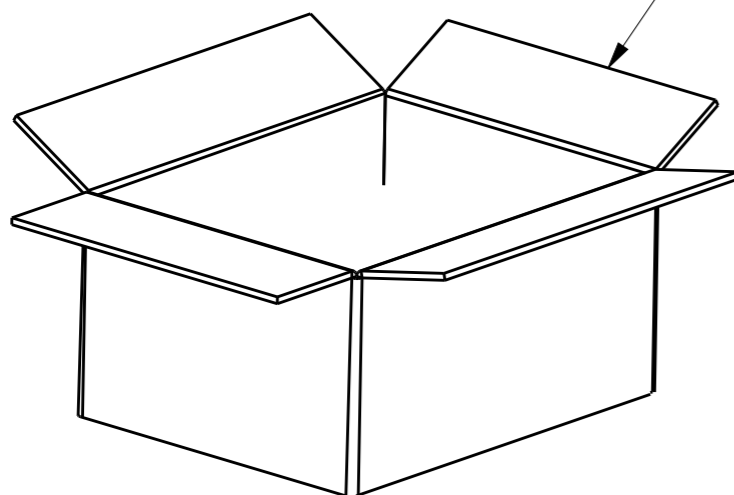
ALL RIGHTS RESERVED.

REVISIONS

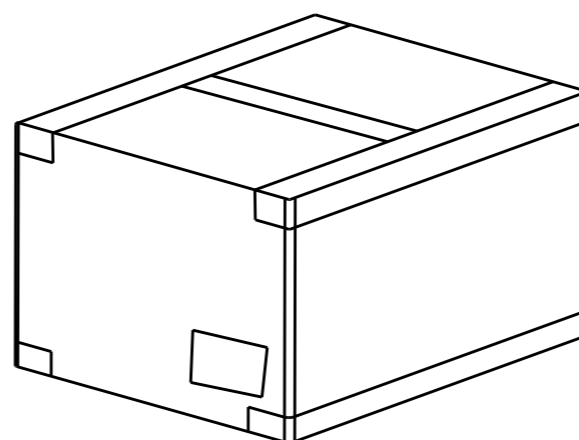
| P | LTR | DESCRIPTION | DATE | DWN | APVD |
|---|-----|-------------|------|-----|------|
| - | | SEE SHEET 1 | - | - | - |
| | | | | | |
| | | | | | |



PLASTIC BAG



CARTON



NOTE:
1. PACKAGING QUANTITY: SEE TABLE.

| PAIRS PER BAG | BAGS PER CARTON | PAIRS PER CARTON |
|---------------|-----------------|------------------|
| 400 | 6 | 2400 |

THIS DRAWING IS A CONTROLLED DOCUMENT.

| DIMENSIONS: | TOLERANCES UNLESS OTHERWISE SPECIFIED: |
|-------------|--|
| mm | |
| | 0 PLC ± |
| | 1 PLC ± |
| | 2 PLC ± |
| | 3 PLC ± |
| | 4 PLC ± |
| | ANGLES ± 1° |
| MATERIAL | FINISH |
| - | - |
| - | - |

| | | |
|------------------|------------|-----------|
| DWN | ZHANG WEI | 18DEC2015 |
| CHK | SHI MING | 18DEC2015 |
| APVD | XU XIANG | 18DEC2015 |
| PRODUCT SPEC | 108-137160 | |
| APPLICATION SPEC | 114-137160 | |
| WEIGHT | 1.95g | |
| CUSTOMER DRAWING | | |



| | | | | | | | | | |
|---------|--|--|--|--|--|------------|--|---------------|--|
| NAME | | | | 3 PIN WIRE TO WIRE CONNECTOR PLUG ASSEMBLY | | | | | |
| SIZE | | | | CAGE CODE | | DRAWING NO | | RESTRICTED TO | |
| A300779 | | | | C=2834054 | | | | - | |
| SCALE | | | | SHEET | | OF | | REV | |
| 2:1 | | | | 2 | | 2 | | B | |