

THIS DRAWING IS UNPUBLISHED.

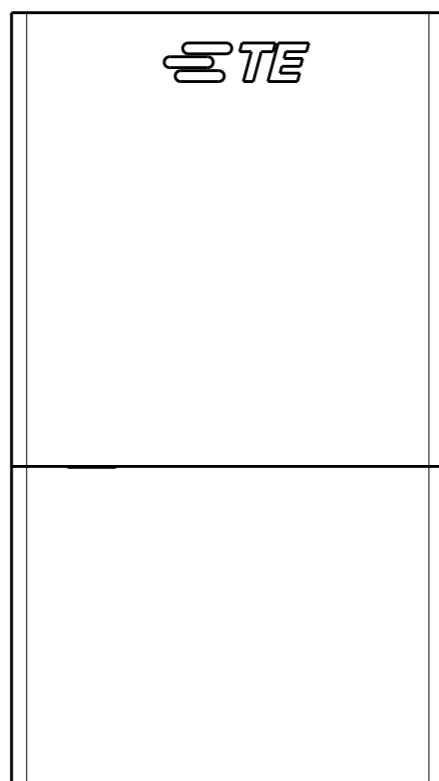
RELEASED FOR PUBLICATION

20

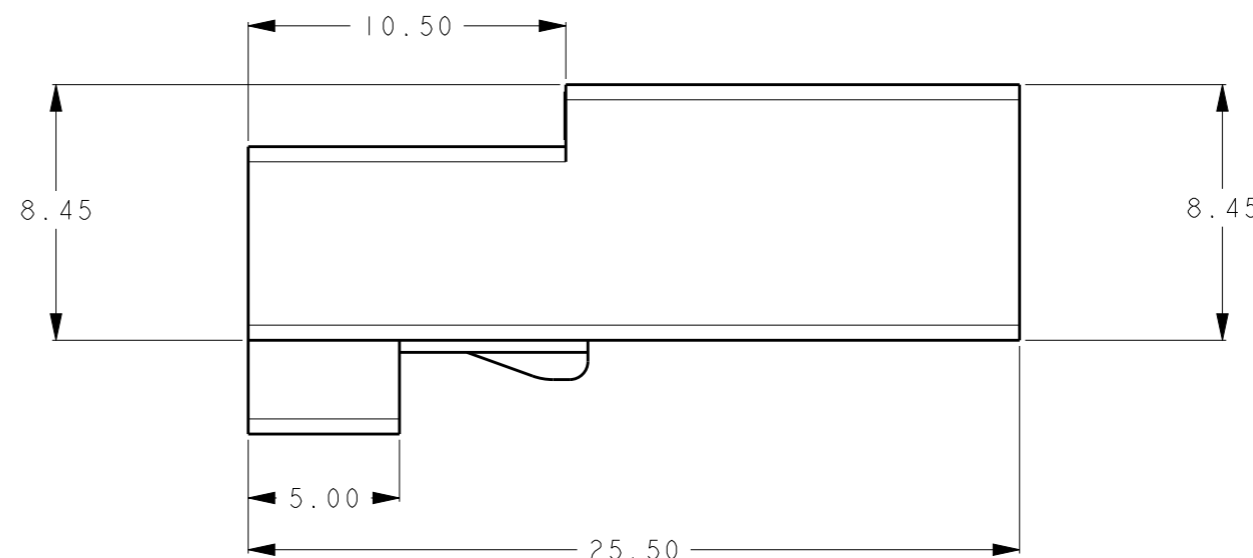
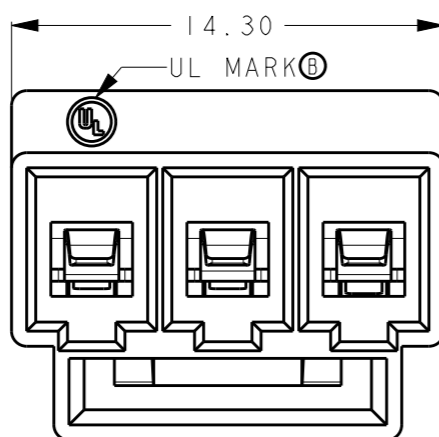
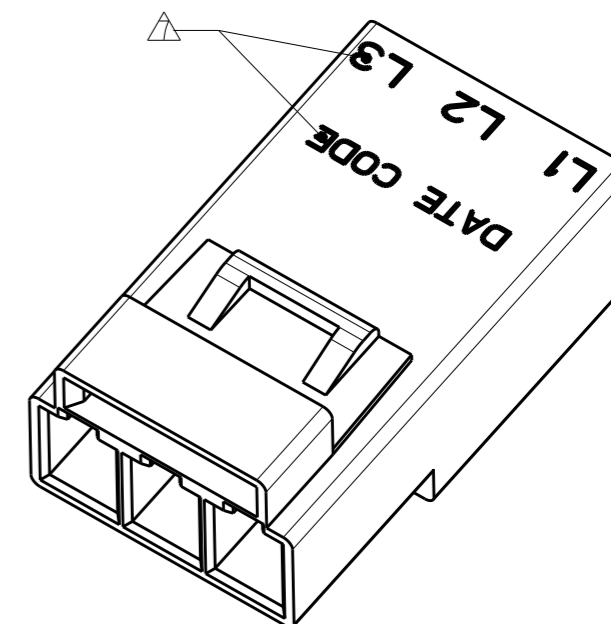
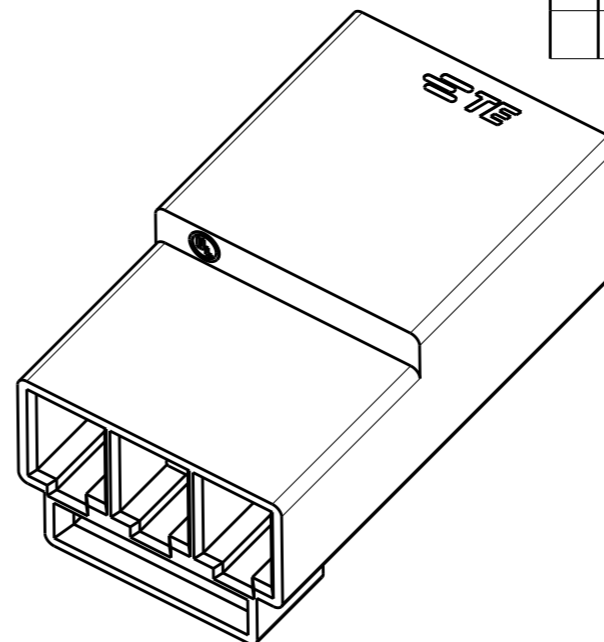
REVISIONS

© COPYRIGHT 20 BY - ALL RIGHTS RESERVED.

P	LTR	DESCRIPTION	DATE	DWN	APVD
	A	INITIAL RELEASE	11 JULY 2016	W. Z	X. X
	B	ADD UL MARK	16 JUL 2018	W. Z	S. M




DATE CODE  
 YY WW X  
 ↑ ↑ ↑  
 YY=YEAR  
 EX: 15=2015  
 WW=WEEK  
 EX: 12=12  
 X=DAY  
 EX: 5=5



NOTE:

- PART NUMBER: SEE TABLE.
  - MATERIAL:  
 TERMINAL: COPPER ALLOY  
 HOUSING: THERMOPLASTIC, UL94-V0.
  - FINISH  
 TERMINAL: TIN PLATING OVERALL.
  - PACKAGING: PLASTIC BAG.
  - APPLICABLE WIRE:  
 SOLID: 18-22AWG  
 STRANDED WIRE: 16-20AWG(26 STRANDS MAX. FOR 16AWG  
 16 STRANDS MAX. FOR 18AWG, 7 STRANDS MAX. FOR 20AWG)
- △ MARK APPROXIMATION LOCATION.

2834055-4	2834054-4	RED
2834055-3	2834054-3	ORANGE
2834055-2	2834054-2	BLACK
2834055-1	2834054-1	NATURAL
PART NUMBER	MATING PART	PART COLOR

THIS DRAWING IS A CONTROLLED DOCUMENT.		DWN 18DEC2015 ZHANG WEI	 TE Connectivity	
DIMENSIONS: mm		CHK 18DEC2015 SHI MING		
TOLERANCES UNLESS OTHERWISE SPECIFIED: ±0.50		APVD 18DEC2015 XU XIANG	NAME 3 PIN WIRE TO WIRE CONNECTOR REC ASSEMBLY	
0-PLC ± 1-PLC ± 2-PLC ± 3-PLC ± 4-PLC ± ANGLES ±1°		PRODUCT SPEC 108-137160	SIZE CAGE CODE DRAWING NO RESTRICTED TO	
MATERIAL		APPLICATION SPEC 114-137160	A300779 C-2834055	
FINISH		WEIGHT 2.32g	SCALE 2:1 SHEET 1 OF 4 REV B	
		CUSTOMER DRAWING		

THIS DRAWING IS UNPUBLISHED.

RELEASED FOR PUBLICATION

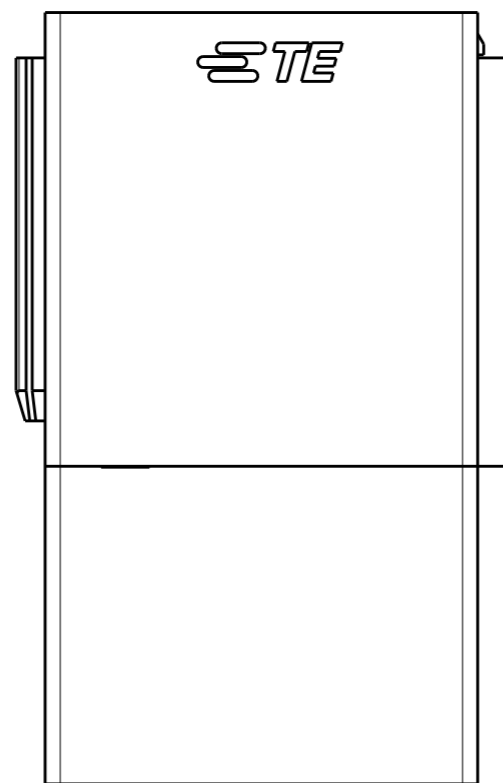
20

© COPYRIGHT 20 BY -

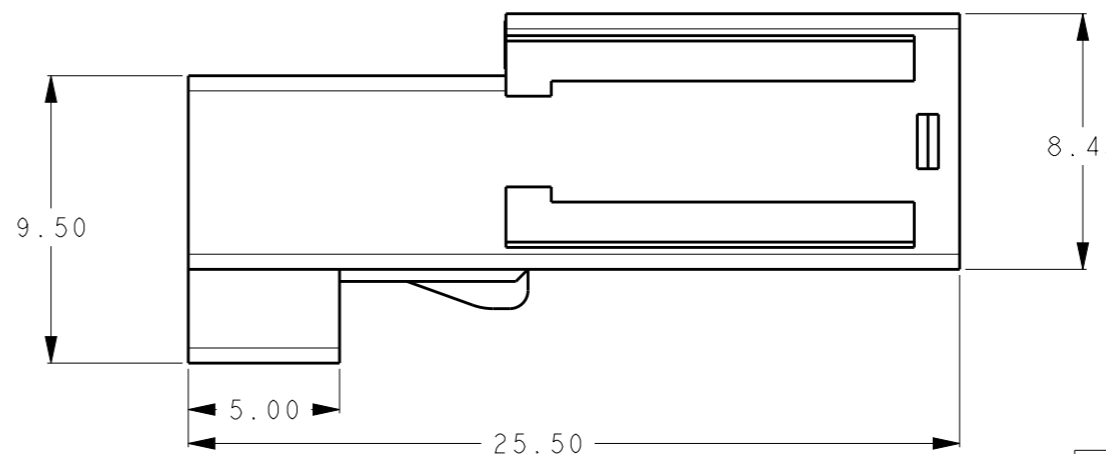
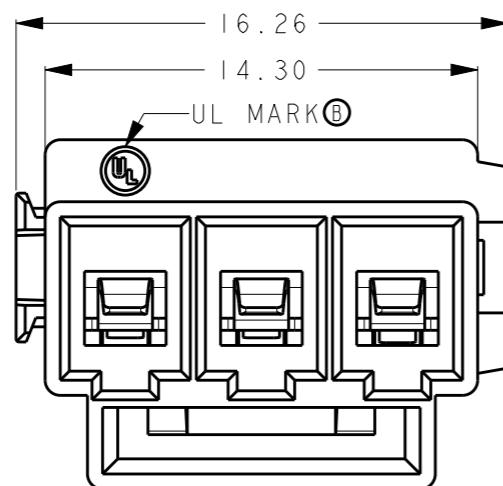
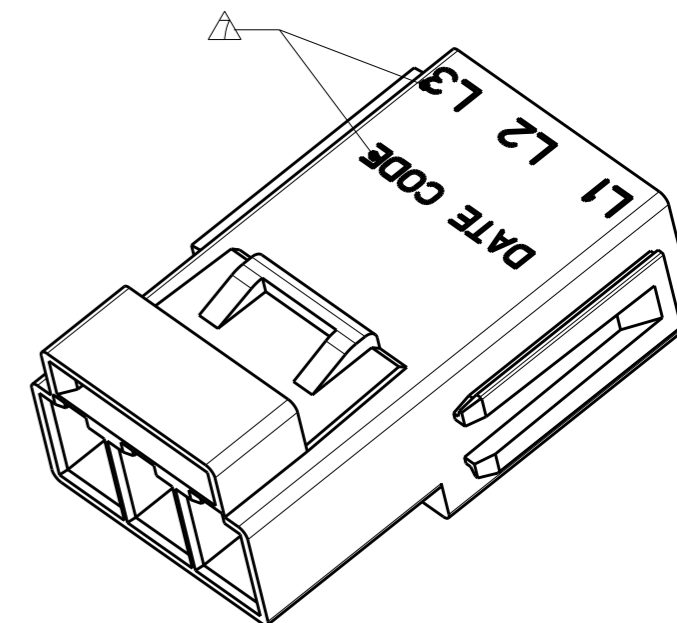
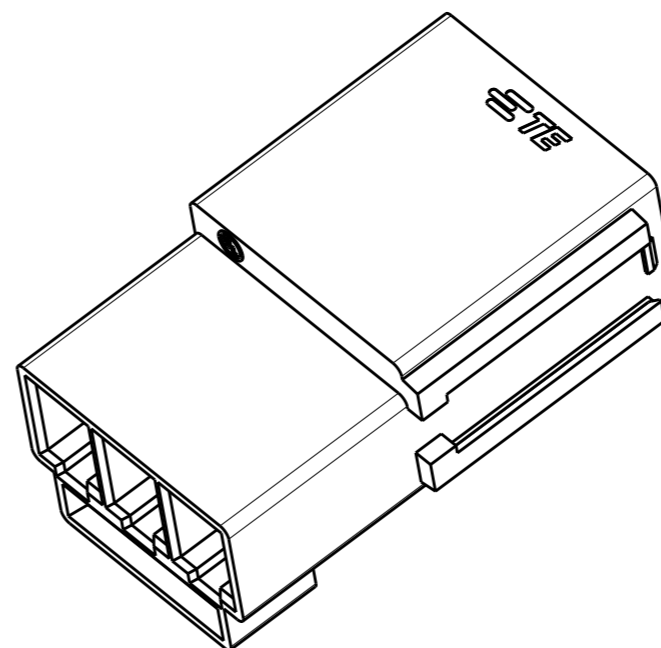
ALL RIGHTS RESERVED.

REVISIONS

P	LTR	DESCRIPTION	DATE	DWN	APVD
		SEE SHEET 1			




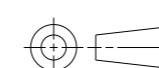
DATE CODE  
 YY WW X  
 ↑ ↑ ↑  
 YY=YEAR  
 EX: 15=2015  
 WW=WEEK  
 EX: 12=12  
 X=DAY  
 EX: 5=5



1-2834055-4	RED
1-2834055-3	ORANGE
1-2834055-2	BLACK
1-2834055-1	NATURAL
PART NUMBER	PART COLOR

NOTE:

- PART NUMBER: SEE TABLE.
  - MATERIAL:  
 TERMINAL: COPPER ALLOY  
 HOUSING: THERMOPLASTIC, UL94-V0.
  - FINISH  
 TERMINAL: TIN PLATING OVERALL.
  - PACKAGING: PLASTIC BAG.
  - APPLICABLE WIRE:  
 SOLID: 18-22AWG  
 STRANDED WIRE: 16-20AWG(26 STRANDS MAX. FOR 16AWG  
 16 STRANDS MAX. FOR 18AWG, 7 STRANDS MAX. FOR 20AWG)
- △ MARK APPROXIMATION LOCATION.

THIS DRAWING IS A CONTROLLED DOCUMENT.		DWN 18DEC2015 ZHANG WEI	 TE Connectivity	
DIMENSIONS: mm		CHK 18DEC2015 SHI MING		
TOLERANCES UNLESS OTHERWISE SPECIFIED: ±0.50		APVD 18DEC2015 XU XIANG	NAME 3 PIN WIRE TO WIRE CONNECTOR REC ASSEMBLY	
		PRODUCT SPEC 108-137160	SIZE CAGE CODE DRAWING NO RESTRICTED TO	
MATERIAL		APPLICATION SPEC 114-137160	A300779 C-2834055	
FINISH		WEIGHT 2.38g	SCALE 4:1 SHEET 2 OF 4 REV B	
		CUSTOMER DRAWING		

THIS DRAWING IS UNPUBLISHED.

RELEASED FOR PUBLICATION

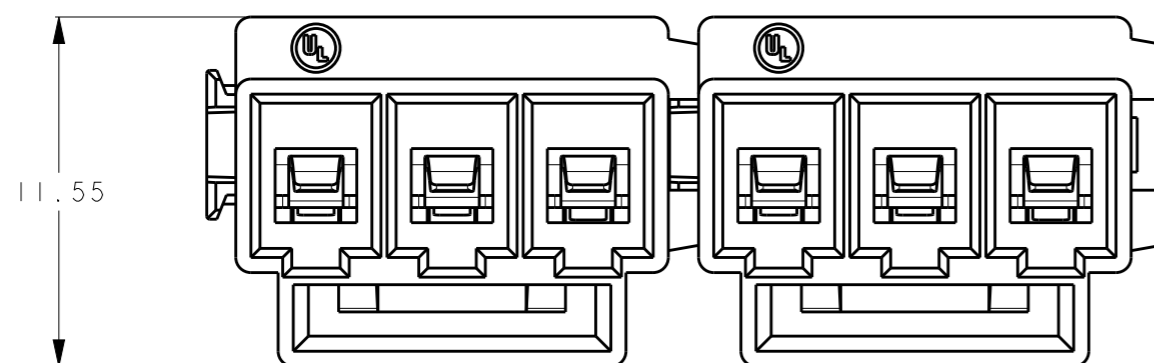
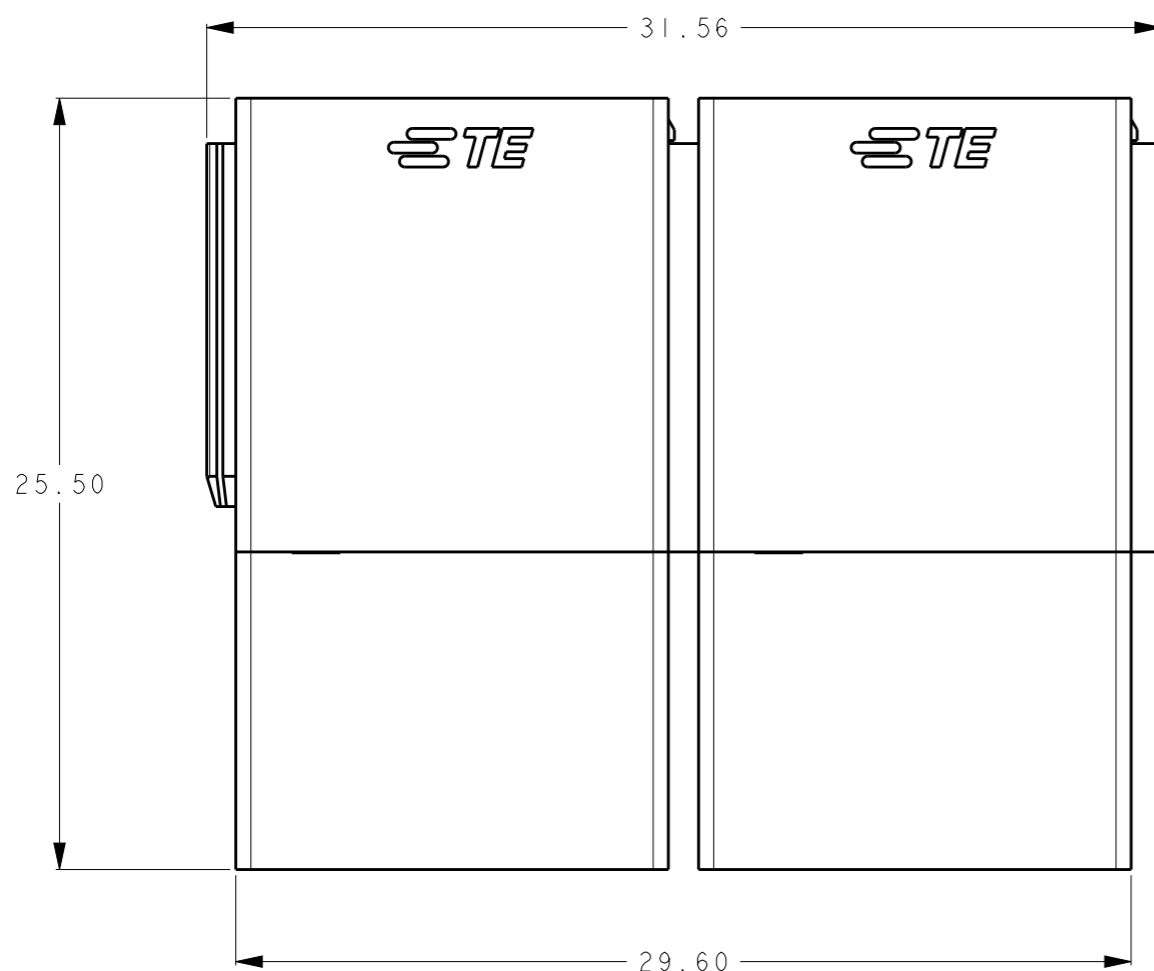
20

© COPYRIGHT 20 BY -

ALL RIGHTS RESERVED.

REVISIONS

P	LTR	DESCRIPTION	DATE	DWN	APVD
		SEE SHEET 1			



P/N: 2-2834055-1/2/3

NOTE:  
MODULE TYPE COLOR FROM LEFT TO RIGHT AS DRAWING SHOW.

2-2834055-3	I	1-2834055-3	ORANGE
	I	1-2834055-3	ORANGE
2-2834055-2	I	1-2834055-4	RED
	I	1-2834055-2	BLACK
2-2834055-1	I	1-2834055-2	BLACK
	I	1-2834055-1	NATURAL
PART NUMBER	Q'TY	MADE FROM	PART COLOR

THIS DRAWING IS A CONTROLLED DOCUMENT.

DIMENSIONS:	TOLERANCES UNLESS OTHERWISE SPECIFIED:
mm	$\pm 0.50$
	0-PLC $\pm$
	1-PLC $\pm$
	2-PLC $\pm$
	3-PLC $\pm$
	4-PLC $\pm$
	ANGLES $\pm 1^\circ$
MATERIAL	FINISH
-	-
-	-

DWN	ZHANG WEI	18DEC2015
CHK	SHI MING	18DEC2015
APVD	XU XIANG	18DEC2015
PRODUCT SPEC	108-137160	
APPLICATION SPEC	114-137160	
WEIGHT	4.76g	
CUSTOMER DRAWING		

**STE** TE Connectivity

NAME  
3 PIN WIRE TO WIRE CONNECTOR  
REC ASSEMBLY

SIZE	CAGE CODE	DRAWING NO	RESTRICTED TO
A3	00779	C-2834055	-
SCALE 2:1		SHEET 3 OF 4	REV B