

THIS DRAWING IS UNPUBLISHED.

RELEASED FOR PUBLICATION

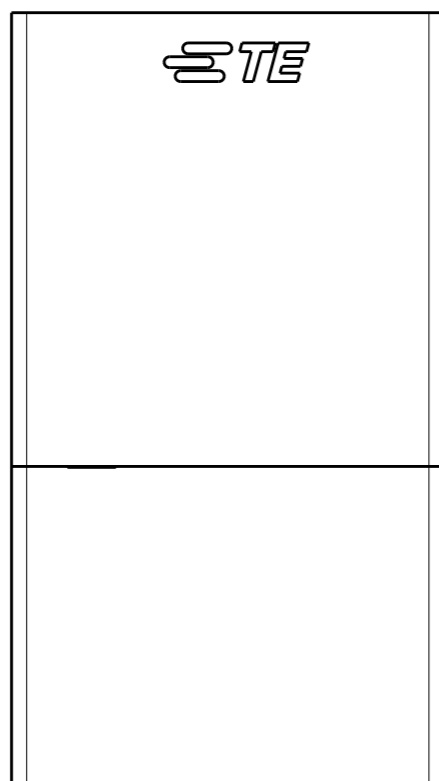
20

© COPYRIGHT 20 BY -

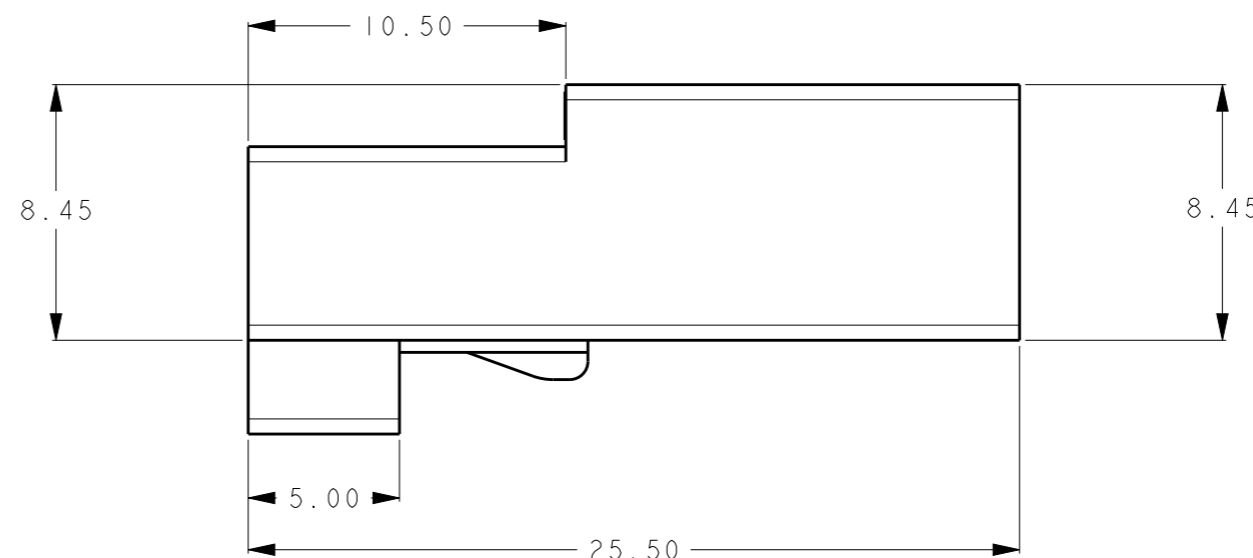
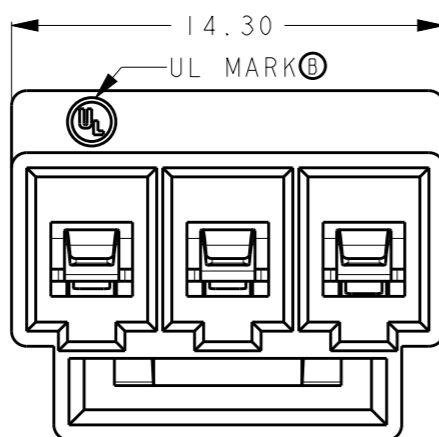
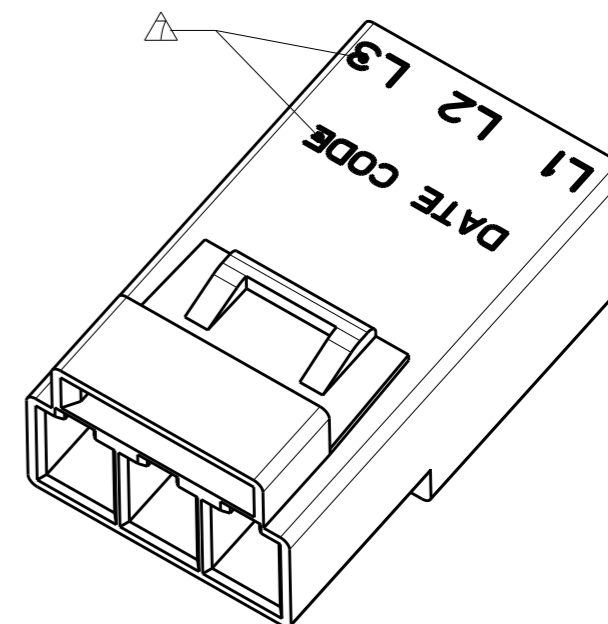
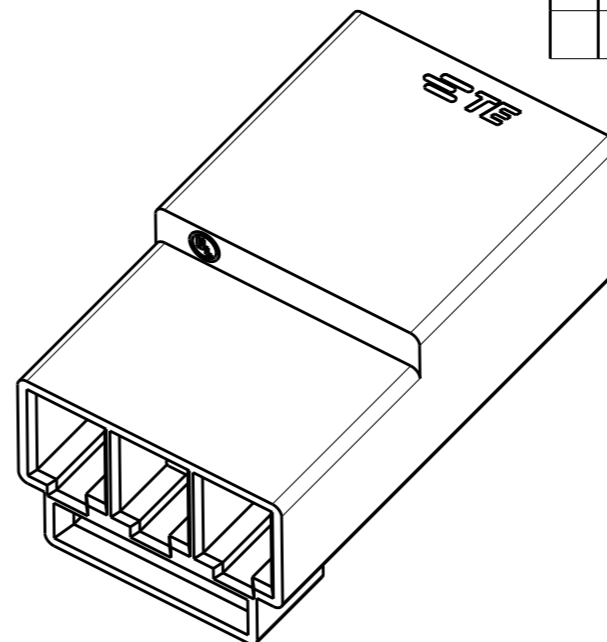
ALL RIGHTS RESERVED.

REVISIONS

P	LTR	DESCRIPTION	DATE	DWN	APVD
	A	INITIAL RELEASE	11 JULY 2016	W. Z	X. X
	B	ADD UL MARK	16 JUL 2018	W. Z	S. M




DATE CODE
 YY WW X
 ↑ ↑ ↑
 YY=YEAR
 EX: 15=2015
 WW=WEEK
 EX: 12=12
 X=DAY
 EX: 5=5



NOTE:

- PART NUMBER: SEE TABLE.
 - MATERIAL:
 TERMINAL: COPPER ALLOY
 HOUSING: THERMOPLASTIC, UL94-V0.
 - FINISH
 TERMINAL: TIN PLATING OVERALL.
 - PACKAGING: PLASTIC BAG.
 - APPLICABLE WIRE:
 SOLID: 18-22AWG
 STRANDED WIRE: 16-20AWG(26 STRANDS MAX. FOR 16AWG
 16 STRANDS MAX. FOR 18AWG, 7 STRANDS MAX. FOR 20AWG)
- △ MARK APPROXIMATION LOCATION.

2834055-4	2834054-4	RED
2834055-3	2834054-3	ORANGE
2834055-2	2834054-2	BLACK
2834055-1	2834054-1	NATURAL
PART NUMBER	MATING PART	PART COLOR

THIS DRAWING IS A CONTROLLED DOCUMENT.		DWN 18DEC2015 ZHANG WEI	 TE Connectivity	
DIMENSIONS: mm		CHK 18DEC2015 SHI MING		
TOLERANCES UNLESS OTHERWISE SPECIFIED: ±0.50		APVD 18DEC2015 XU XIANG	NAME 3 PIN WIRE TO WIRE CONNECTOR REC ASSEMBLY	
0-PLC ± 1-PLC ± 2-PLC ± 3-PLC ± 4-PLC ± ANGLES ±1°		PRODUCT SPEC 108-137160	SIZE CAGE CODE DRAWING NO RESTRICTED TO	
MATERIAL		APPLICATION SPEC 114-137160	A300779 C-2834055	
FINISH		WEIGHT 2.32g	SCALE 2:1 SHEET 1 OF 4 REV B	
		CUSTOMER DRAWING		

THIS DRAWING IS UNPUBLISHED.

RELEASED FOR PUBLICATION

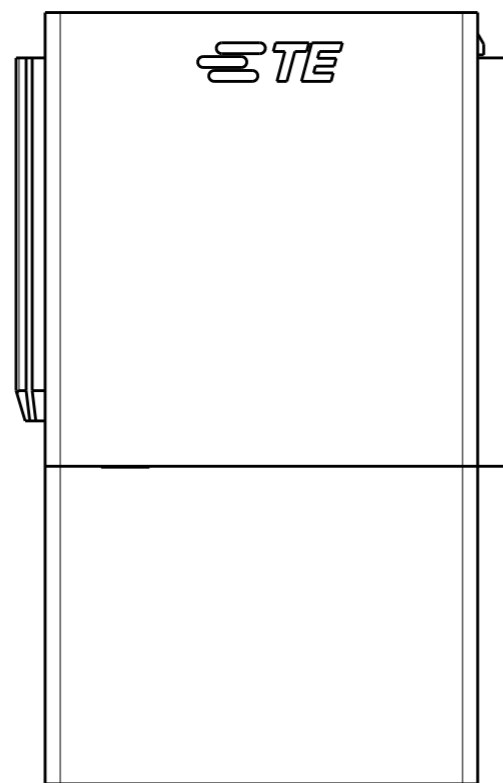
20

© COPYRIGHT 20 BY -

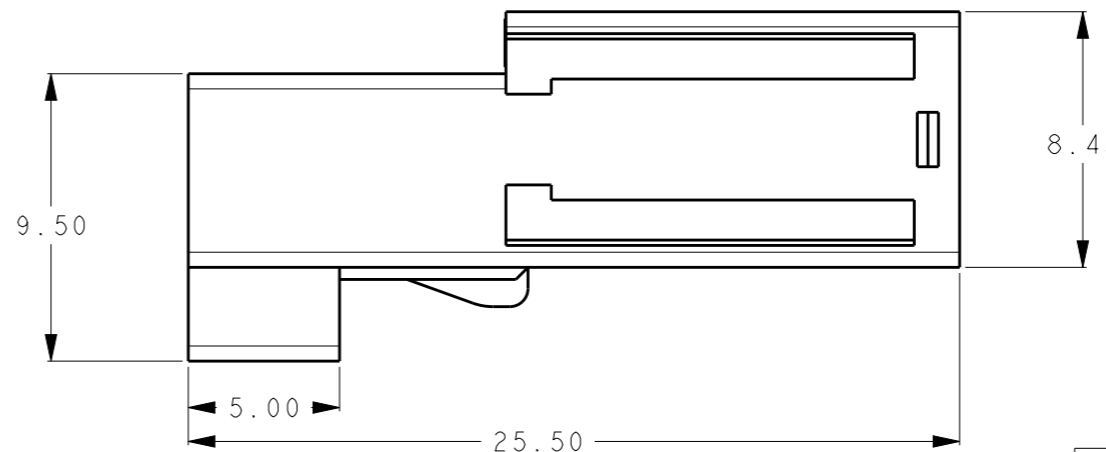
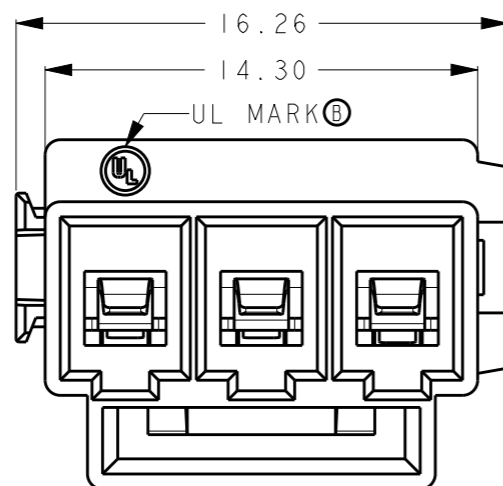
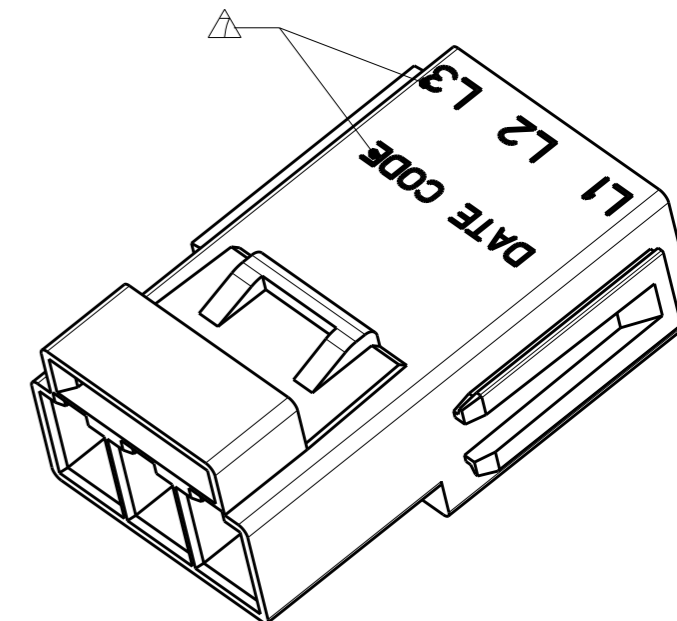
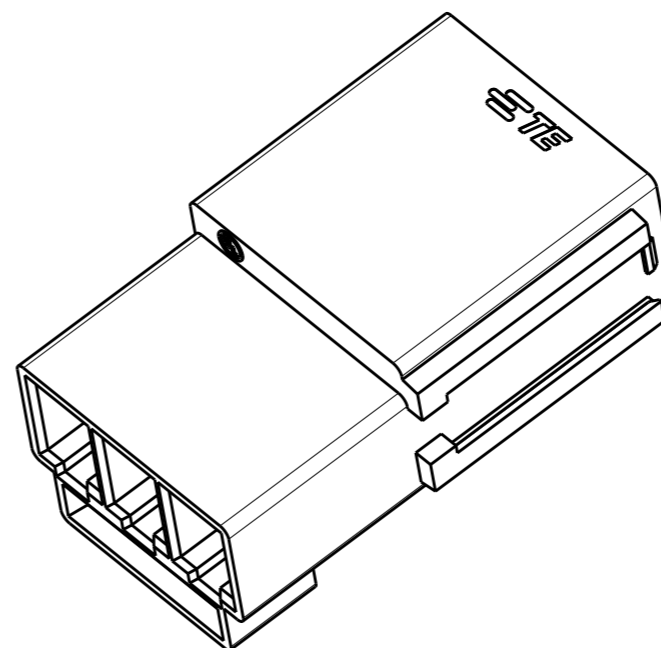
ALL RIGHTS RESERVED.

REVISIONS

P	LTR	DESCRIPTION	DATE	DWN	APVD
		SEE SHEET 1			




DATE CODE
 YY WW X
 ↑ ↑ ↑
 YY=YEAR
 EX: 15=2015
 WW=WEEK
 EX: 12=12
 X=DAY
 EX: 5=5



1-2834055-4	RED
1-2834055-3	ORANGE
1-2834055-2	BLACK
1-2834055-1	NATURAL
PART NUMBER	PART COLOR

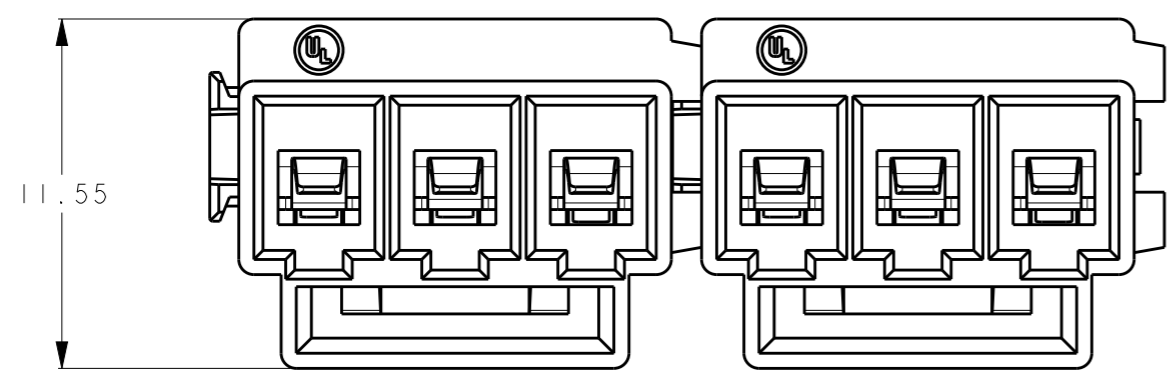
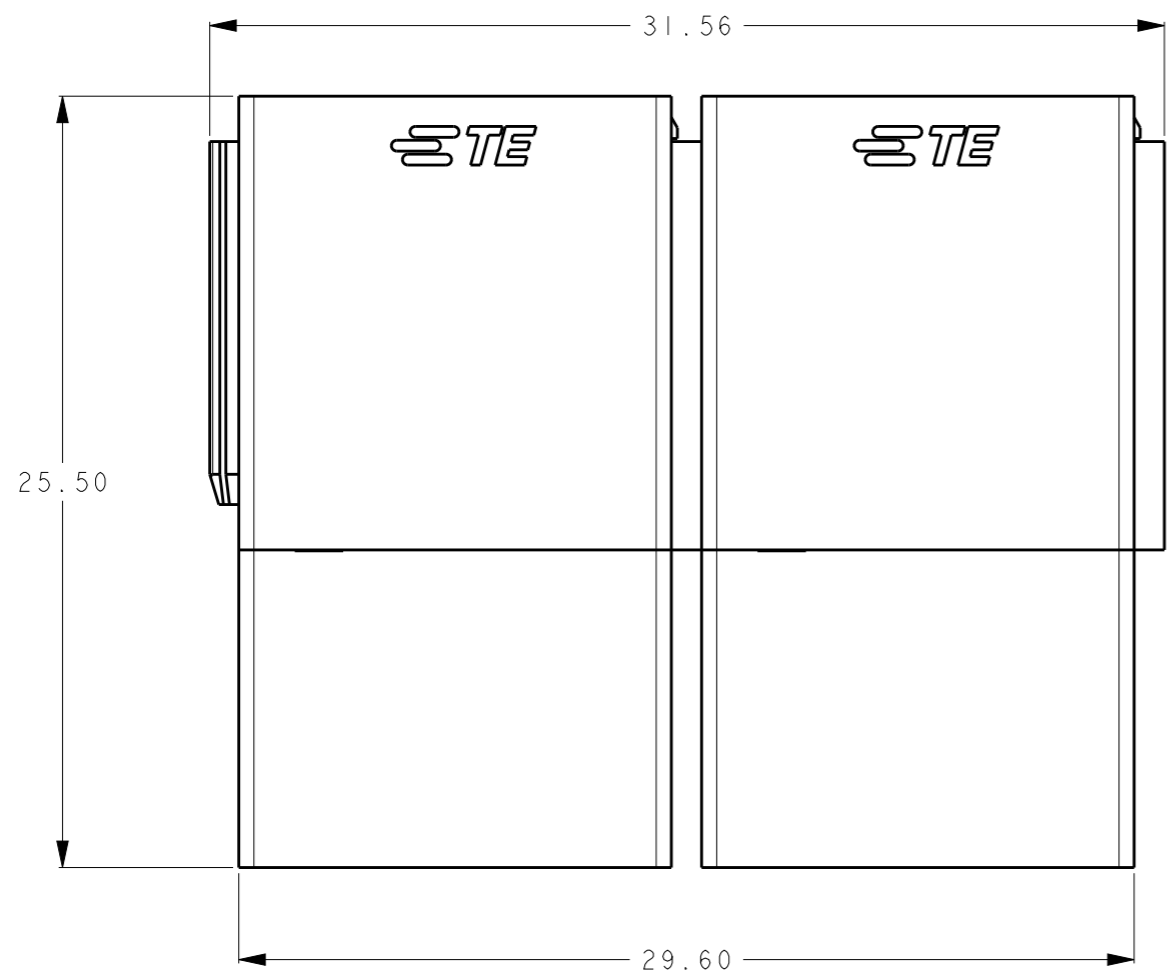
NOTE:

- PART NUMBER: SEE TABLE.
 - MATERIAL:
 TERMINAL: COPPER ALLOY
 HOUSING: THERMOPLASTIC, UL94-V0.
 - FINISH
 TERMINAL: TIN PLATING OVERALL.
 - PACKAGING: PLASTIC BAG.
 - APPLICABLE WIRE:
 SOLID: 18-22AWG
 STRANDED WIRE: 16-20AWG(26 STRANDS MAX. FOR 16AWG
 16 STRANDS MAX. FOR 18AWG, 7 STRANDS MAX. FOR 20AWG)
- △ MARK APPROXIMATION LOCATION.

THIS DRAWING IS A CONTROLLED DOCUMENT.		DWN 18DEC2015 ZHANG WEI	 TE Connectivity	
DIMENSIONS: mm		CHK 18DEC2015 SHI MING		
TOLERANCES UNLESS OTHERWISE SPECIFIED: ±0.50		APVD 18DEC2015 XU XIANG	NAME 3 PIN WIRE TO WIRE CONNECTOR REC ASSEMBLY	
0-PLC ± 1-PLC ± 2-PLC ± 3-PLC ± 4-PLC ± ANGLES ±1°		PRODUCT SPEC 108-137160	SIZE CAGE CODE DRAWING NO RESTRICTED TO	
MATERIAL		APPLICATION SPEC 114-137160	A300779 C-2834055	
FINISH		WEIGHT 2.38g	SCALE 4:1 SHEET 2 OF 4 REV B	
		CUSTOMER DRAWING		

THIS DRAWING IS UNPUBLISHED. RELEASED FOR PUBLICATION 20
 © COPYRIGHT 20 BY - ALL RIGHTS RESERVED.


REVISIONS					
P	LTR	DESCRIPTION	DATE	DWN	APVD
		SEE SHEET 1			



P/N: 2-2834055-1/2/3

NOTE:
MODULE TYPE COLOR FROM LEFT TO RIGHT AS DRAWING SHOW.

2-2834055-3	I	1-2834055-3	ORANGE
	I	1-2834055-3	ORANGE
2-2834055-2	I	1-2834055-4	RED
	I	1-2834055-2	BLACK
2-2834055-1	I	1-2834055-2	BLACK
	I	1-2834055-1	NATURAL
PART NUMBER	Q'TY	MADE FROM	PART COLOR

THIS DRAWING IS A CONTROLLED DOCUMENT.		DWN ZHANG WEI 18DEC2015	 TE Connectivity	
DIMENSIONS: mm		CHK SHI MING 18DEC2015		
TOLERANCES UNLESS OTHERWISE SPECIFIED: ±0.50		APVD XU XIANG 18DEC2015	NAME 3 PIN WIRE TO WIRE CONNECTOR REC ASSEMBLY	
0-PLC ±		PRODUCT SPEC 108-137160	SIZE A3	
1-PLC ±		APPLICATION SPEC 114-137160	CAGE CODE 00779	DRAWING NO C-2834055
2-PLC ±		WEIGHT 4.76g	RESTRICTED TO -	
3-PLC ±		CUSTOMER DRAWING	SCALE 2:1	SHEET 3 OF 4
4-PLC ±			REV B	
ANGLES ±1°				
MATERIAL -				
FINISH -				