

THIS DRAWING IS UNPUBLISHED.

RELEASED FOR PUBLICATION

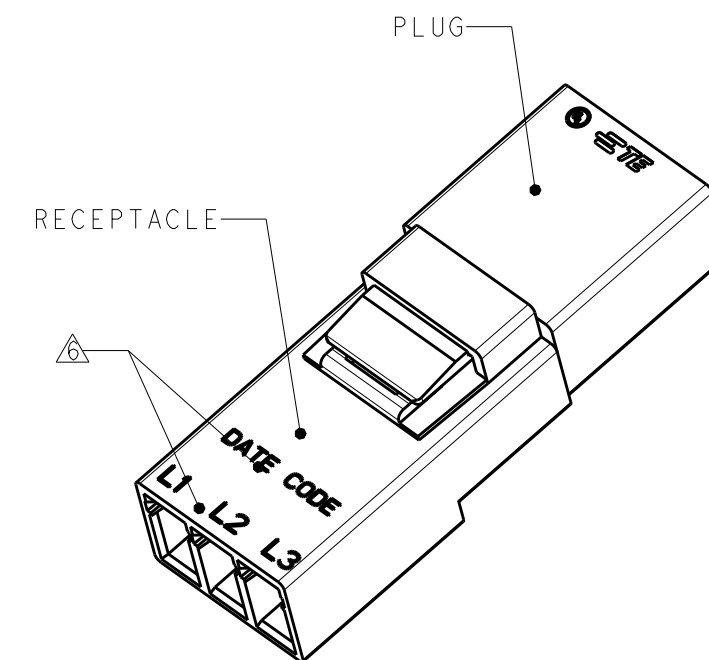
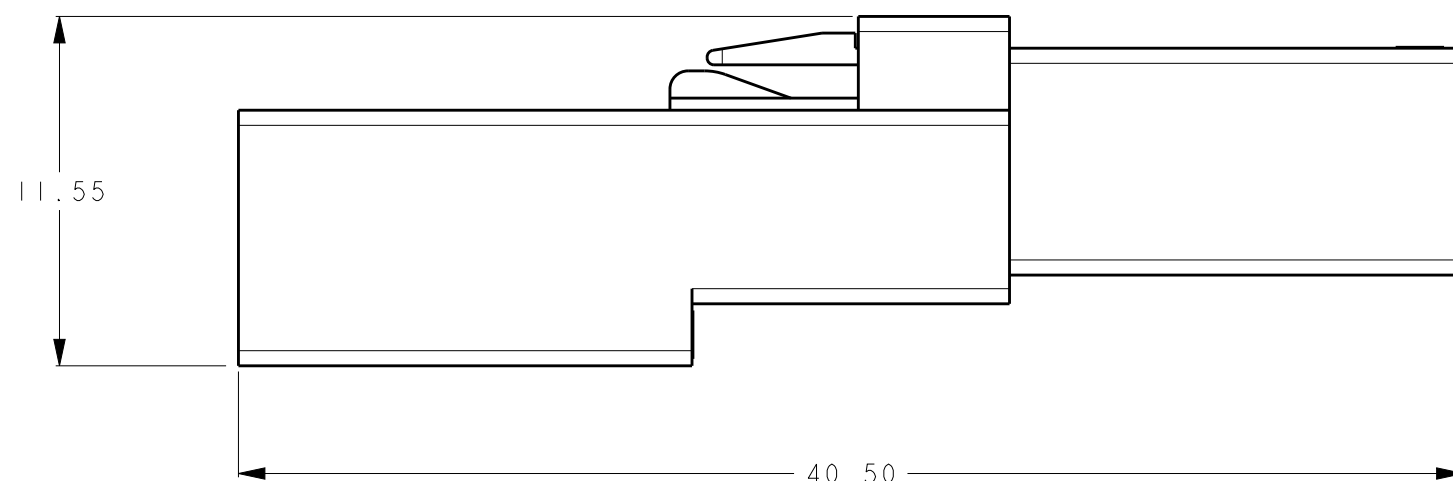
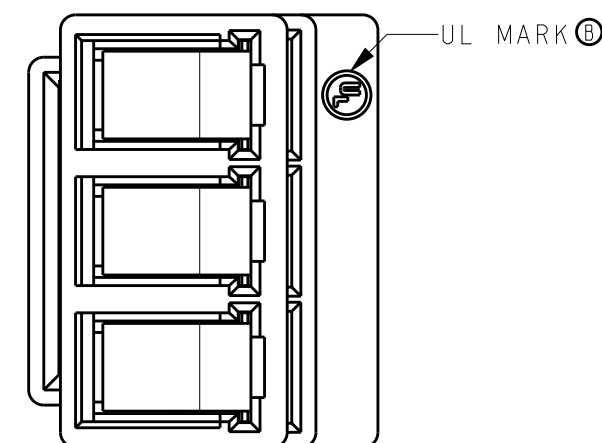
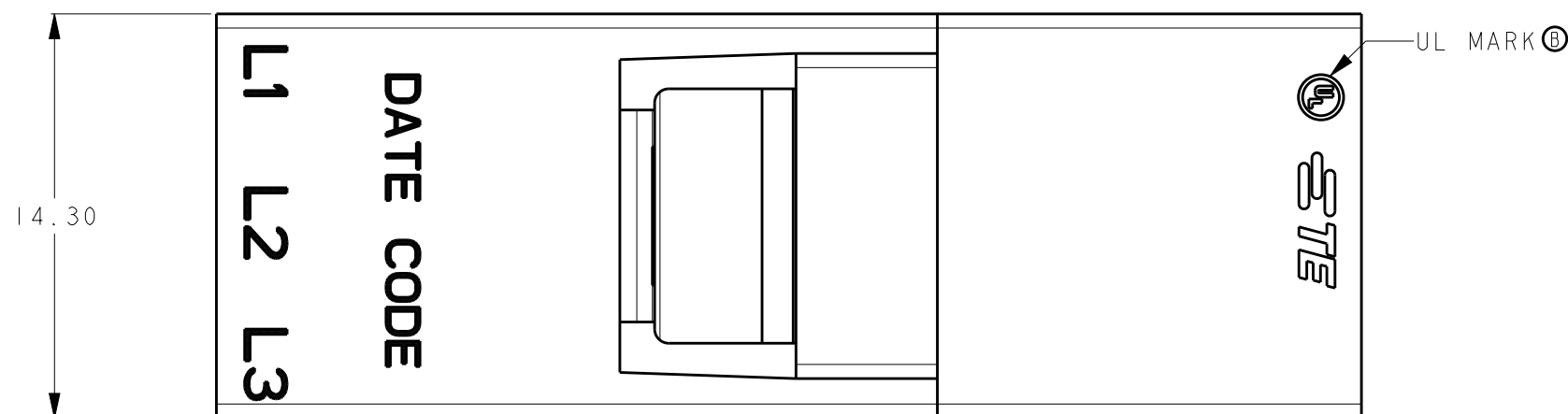
20

© COPYRIGHT 20 BY -

ALL RIGHTS RESERVED.

REVISIONS


| P | LTR | DESCRIPTION | DATE | DWN | APVD |
|---|-----|-----------------|--------------|-----|------|
| | A | INITIAL RELEASE | 11 JULY 2016 | W.Z | X.X |
| | B | ADD UL MARK | 16 JUL 2018 | W.Z | S.M |
| | | | | | |
| | | | | | |



NOTE:

- PART NUMBER: SEE TABLE.
 - MATERIAL:
TERMINAL: COPPER ALLOY
HOUSING: THERMOPLASTIC, UL94-V0.
 - FINISH
TERMINAL: TIN PLATING OVERALL.
 - PACKAGING: PLASTIC BAG.
 - APPLICABLE WIRE:
SOLID: 18-22AWG
STRANDED WIRE: 16-20AWG (26 STRANDS MAX. FOR 16AWG
16 STRANDS MAX. FOR 18AWG, 7 STRANDS MAX. FOR 20AWG)
- △ MARK APPROXIMATION LOCATION.

| | | | |
|-------------|-----------|----------------|------------|
| 2834056-4 | 2834054-4 | 2834055-4 | RED |
| 2834056-3 | 2834054-3 | 2834055-3 | ORANGE |
| 2834056-2 | 2834054-2 | 2834055-2 | BLACK |
| 2834056-1 | 2834054-1 | 2834055-1 | NATURAL |
| PART NUMBER | PLUG P/N | RECEPTACLE P/N | PART COLOR |

| | | | | | | | | | | | | | | | | |
|---|----|--------------------------------|---|-----------------|---|-------|---|-------|---|-------|---|--------|----|----------------------------|-----------------|--|
| THIS DRAWING IS A CONTROLLED DOCUMENT. | | DWN 18DEC2015 ZHANG WEI |  TE Connectivity | | | | | | | | | | | | | |
| DIMENSIONS: mm | | CHK 18DEC2015 SHI MING | | | | | | | | | | | | | | |
| TOLERANCES UNLESS OTHERWISE SPECIFIED: ± 0.50 | | APVD 18DEC2015 XU XIANG | NAME 3 PIN WIRE TO WIRE CONNECTOR MATING ASSEMBLY | | | | | | | | | | | | | |
| <table border="1"> <tr><td>0-PLC</td><td>±</td></tr> <tr><td>1-PLC</td><td>±</td></tr> <tr><td>2-PLC</td><td>±</td></tr> <tr><td>3-PLC</td><td>±</td></tr> <tr><td>4-PLC</td><td>±</td></tr> <tr><td>ANGLES</td><td>±°</td></tr> </table> | | 0-PLC | ± | 1-PLC | ± | 2-PLC | ± | 3-PLC | ± | 4-PLC | ± | ANGLES | ±° | PRODUCT SPEC 108-137160 | SIZE A300779 | |
| 0-PLC | ± | | | | | | | | | | | | | | | |
| 1-PLC | ± | | | | | | | | | | | | | | | |
| 2-PLC | ± | | | | | | | | | | | | | | | |
| 3-PLC | ± | | | | | | | | | | | | | | | |
| 4-PLC | ± | | | | | | | | | | | | | | | |
| ANGLES | ±° | | | | | | | | | | | | | | | |
| MATERIAL - | | APPLICATION SPEC 114-137160 | DRAWING NO C-2834056 | | | | | | | | | | | | | |
| FINISH - | | WEIGHT 4.28g | RESTRICTED TO - | | | | | | | | | | | | | |
| | | CUSTOMER DRAWING | SCALE 1:1 | SHEET 1 OF 2 | | | | | | | | | | | | |
| | | | | REV B | | | | | | | | | | | | |

THIS DRAWING IS UNPUBLISHED.

RELEASED FOR PUBLICATION

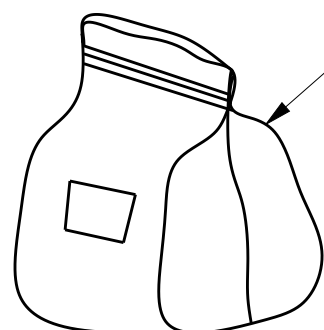
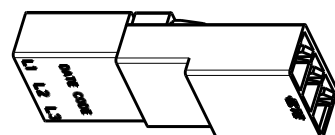
20

© COPYRIGHT 20 BY -

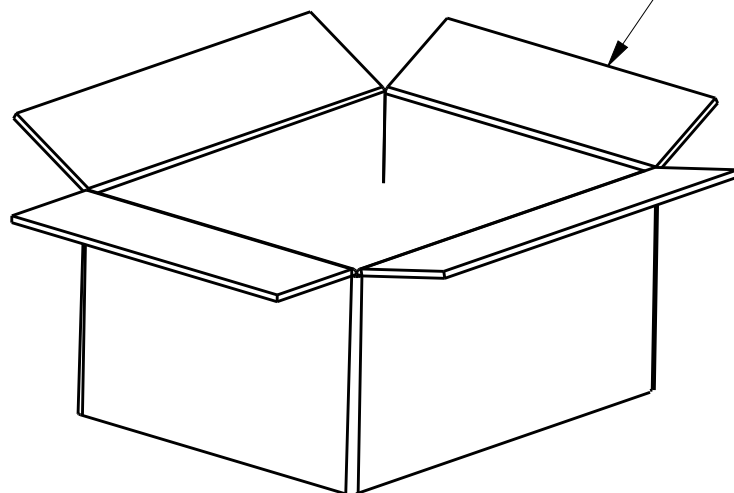
ALL RIGHTS RESERVED.

REVISIONS

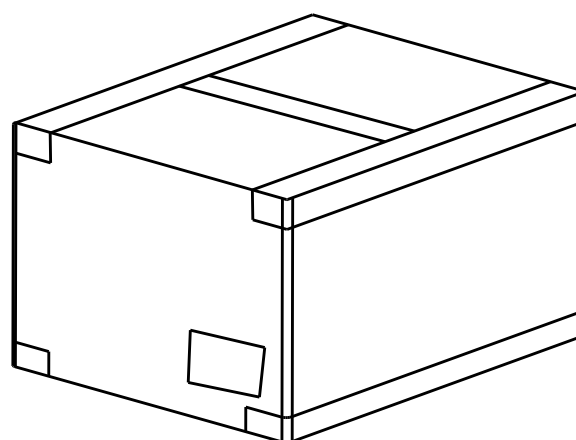
| P | LTR | DESCRIPTION | DATE | DWN | APVD |
|---|-----|-------------|------|-----|------|
| - | | SEE SHEET 1 | - | - | - |
| | | | | | |
| | | | | | |



PLASTIC BAG



CARTON



NOTE:
1. PACKAGING QUANTITY: SEE TABLE.

| PAIRS PER BAG | BAGS PER CARTON | PAIRS PER CARTON |
|---------------|-----------------|------------------|
| 200 | 8 | 1600 |

THIS DRAWING IS A CONTROLLED DOCUMENT.

| | | | |
|-------------------|--------|--|-----|
| DIMENSIONS: mm | | TOLERANCES UNLESS OTHERWISE SPECIFIED: | |
| | 0 PLC | ± | |
| | 1 PLC | ± | |
| | 2 PLC | ± | |
| | 3 PLC | ± | |
| | 4 PLC | ± | |
| | ANGLES | ± | ±1° |
| MATERIAL | - | FINISH | - |

| | | |
|------------------|------------|-----------|
| DWN | ZHANG WEI | 18DEC2015 |
| CHK | SHI MING | 18DEC2015 |
| APVD | XU XIANG | 18DEC2015 |
| PRODUCT SPEC | 108-137160 | |
| APPLICATION SPEC | 114-137160 | |
| WEIGHT | 4.28g | |
| CUSTOMER DRAWING | | |



| | | | |
|--|-----------|--------------|---------------|
| NAME 3 PIN WIRE TO WIRE CONNECTOR MATING ASSEMBLY | | | |
| SIZE | CAGE CODE | DRAWING NO | RESTRICTED TO |
| A3 | 00779 | C-2834056 | - |
| SCALE 1:1 | | SHEET 2 OF 2 | REV B |