

4

3

2

1

THIS DRAWING IS UNPUBLISHED.

RELEASED FOR PUBLICATION

20

© COPYRIGHT20 BY -

ALL RIGHTS RESERVED.

REVISIONS

P	LTR	DESCRIPTION	DATE	DWN	APVD
	A	INITIAL RELEASE	11 JULY 2016	W.Z	X.X
	B	ADD UL MARK	16 JUL 2018	W.Z	S.M

14.30

L1
L2
L3

DATE CODE

UL MARK $\text{\textcircled{B}}$

STE

UL MARK $\text{\textcircled{B}}$

11.55

40.50

PLUG

RECEPTACLE

DATE CODE

L1 L2 L3

6

NOTE:

- PART NUMBER: SEE TABLE.
- MATERIAL:
TERMINAL: COPPER ALLOY
HOUSING: THERMOPLASTIC, UL94-V0.
- FINISH
TERMINAL: TIN PLATING OVERALL.
- PACKAGING: PLASTIC BAG.
- APPLICABLE WIRE:
SOLID: 18-22AWG
STRANDED WIRE: 16-20AWG(26 STRANDS MAX. FOR 16AWG
16 STRANDS MAX. FOR 18AWG, 7 STRANDS MAX. FOR 20AWG)

6 MARK APPROXIMATION LOCATION.

2834056-4	2834054-4	2834055-4	RED
2834056-3	2834054-3	2834055-3	ORANGE
2834056-2	2834054-2	2834055-2	BLACK
2834056-1	2834054-1	2834055-1	NATURAL
PART NUMBER	PLUG P/N	RECEPTACLE P/N	PART COLOR

THIS DRAWING IS A CONTROLLED DOCUMENT.		DWN 18DEC2015 ZHANG WEI	TE Connectivity	
DIMENSIONS: mm		CHK 18DEC2015 SHI MING		
TOLERANCES UNLESS OTHERWISE SPECIFIED: ± 0.50		APVD 18DEC2015 XU XIANG	NAME 3 PIN WIRE TO WIRE CONNECTOR MATING ASSEMBLY	
0-PLC \pm		PRODUCT SPEC 108-137160	SIZE	
1-PLC \pm		APPLICATION SPEC 114-137160	CAGE CODE	
2-PLC \pm		WEIGHT 4.28g	DRAWING NO A300779	
3-PLC \pm		CUSTOMER DRAWING	C=2834056	
4-PLC \pm		SCALE 1:1	RESTRICTED TO	
ANGLES \pm°		SHEET 1 OF 2	REV B	
FINISH				
MATERIAL				

1470-19 (3/13)

THIS DRAWING IS UNPUBLISHED.

RELEASED FOR PUBLICATION

20

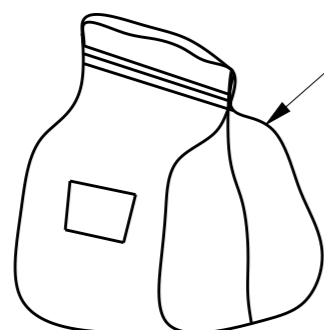
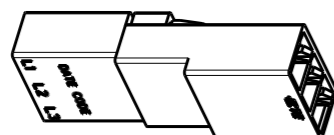
© COPYRIGHT 20

BY -

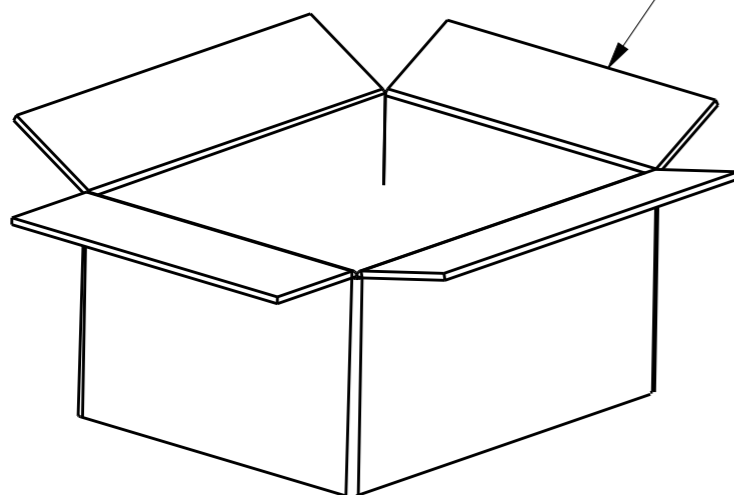
ALL RIGHTS RESERVED.

REVISIONS

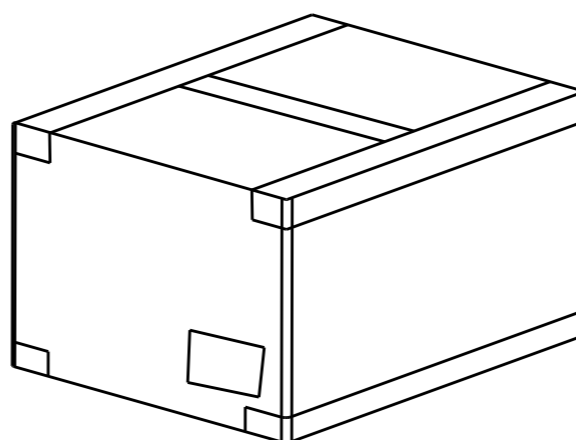
P	LTR	DESCRIPTION	DATE	DWN	APVD
-		SEE SHEET 1	-	-	-



PLASTIC BAG



CARTON



NOTE:
1. PACKAGING QUANTITY: SEE TABLE.

PAIRS PER BAG	BAGS PER CARTON	PAIRS PER CARTON
200	8	1600

THIS DRAWING IS A CONTROLLED DOCUMENT.

DIMENSIONS:	TOLERANCES UNLESS OTHERWISE SPECIFIED:
mm	
	0 PLC ±
	1 PLC ±
	2 PLC ±
	3 PLC ±
	4 PLC ±
	ANGLES ±1°
MATERIAL	FINISH
-	-
-	-

DWN	ZHANG WEI	18DEC2015
CHK	SHI MING	18DEC2015
APVD	XU XIANG	18DEC2015
PRODUCT SPEC	108-137160	
APPLICATION SPEC	114-137160	
WEIGHT	4.28g	
CUSTOMER DRAWING		



NAME
3 PIN WIRE TO WIRE CONNECTOR MATING ASSEMBLY

SIZE	CAGE CODE	DRAWING NO	RESTRICTED TO
A3	00779	C=2834056	-
SCALE 1:1			SHEET 2 OF 2
			REV B