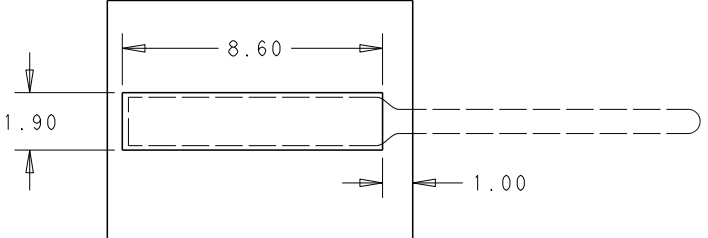
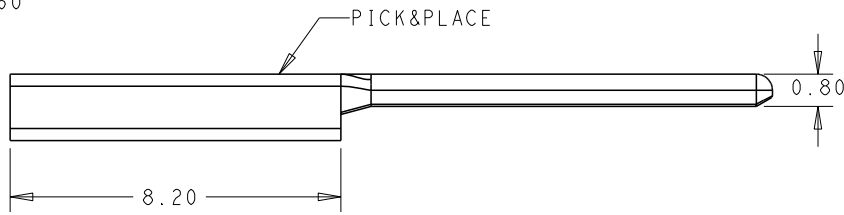
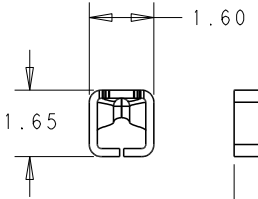
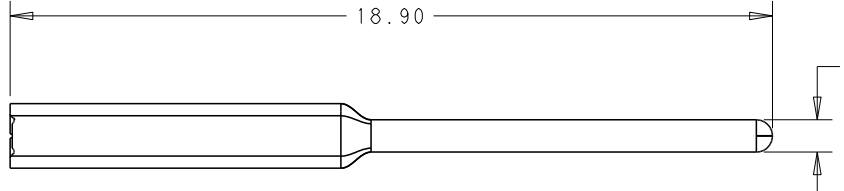


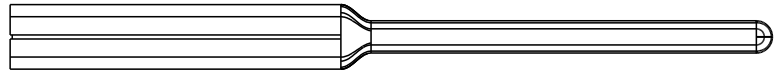
REVISIONS					
P	LTR	DESCRIPTION	DATE	DWN	APVD
	A	FIRST VERSION	04AUG2016	G.F	S.M
	A1	ECR-19-018938 UPDATE THE FILE ATTRIBUTES	06DEC2019	G.F	S.M

NOTES :

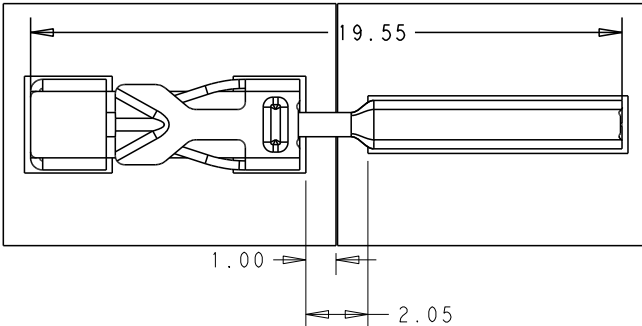
1. MATERIALS AND FINISH:
CONTACTS: COPPER ALLOY, FINISH: TIN OVER NICKEL UNDERPLATE
2. MUST COMPLY WITH DIRECTIVE 2002/95/EC (ROHS)
3. PACKAGED TYPE:TAPE AND REEL



RECOMMENDED PCB LAYOUT



SCALE 8:1



BTB MATING WITH RECEPTACLE P/N:2834167-3

THIS DRAWING IS A CONTROLLED DOCUMENT.		DWN	04AUG2016		STE TE Connectivity
		CHK	04AUG2016		
		APVD	04AUG2016		
		NAME	XU XIANG		
DIMENSIONS: mm		TOLERANCES UNLESS OTHERWISE SPECIFIED:		PRODUCT SPEC	
		0 PLC ±-		108-137166	
		1 PLC ±0.20		APPLICATION SPEC	
		2 PLC ±0.13		114-137166	
		3 PLC ±		SIZE	
		4 PLC ±		A3	
		ANGLES ±		CAGE CODE	
		FINISH		-	
MATERIAL SEE NOTE		WEIGHT		DRAWING NO	
		-		C=2834172	
		CUSTOMER DRAWING		RESTRICTED TO	
				-	
		SCALE 4:1		SHEET 1 OF 1	
				REV A1	