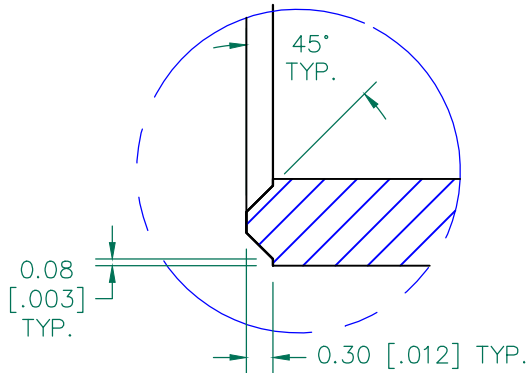


SEE DETAIL "A"
SECTION A-A



DETAIL A
SCALE: 12:1

NOTES: UNLESS OTHERWISE SPECIFIED

1. COSMETIC SPECIFICATION REFER TO WI-QA-038.

SCALE DRAWING 1:1

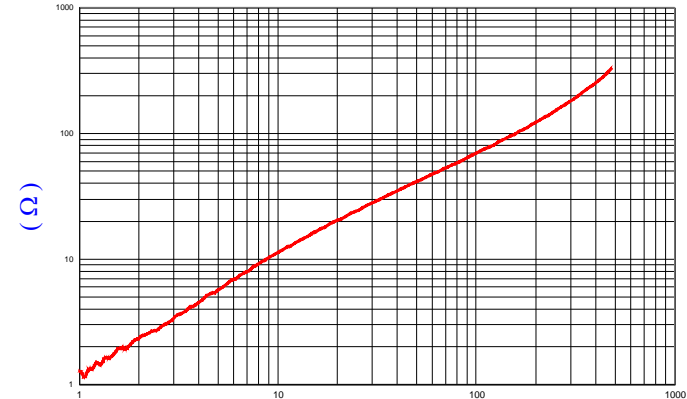


28B0157-500



IMPEDANCE (Z)			
Frequency	25 MHz	100 MHz	300 MHz
Nominal (REF)	25 Ω	70 Ω	179 Ω
Minimum	- Ω	56 Ω	- Ω

Z vs. FREQUENCY
(REF. ONLY)



FREQUENCY (MHz)

AGILENT E4991A Impedance/Material Analyzer
HP 16092A Test Fixture TEST REF. 6223

FERRITE CORE DIMENSIONS (SPEC): mm [in]

A	4.00 [.157]	±	0.20 [.008]
B	2.00 [.079]	±	0.20 [.008]
C	3.00 [.118]	±	0.30 [.012]

WEIGHT/1000 0.14 kgs 0.31 lbs

DIMENSIONS ARE IN mm .

This print is the property of Laird Tech. and is loaned in confidence subject to return upon request and with the understanding that no copies shall be made without the written consent of Laird Tech. All rights to design or invention are reserved.



PROJECT/PART NUMBER:

28B0157-500

REV

A

PART TYPE:

FERRITE CORE

DRAWN BY:

Jcai

DATE:

01/24/19

SCALE:

6 : 1

SHEET:

Ferrite

REV	DESCRIPTION	DATE	INT
A	NEW RELEASE	01/24/19	Jcai
REV	DESCRIPTION	DATE	INT

CAD # 28B0157-500-A

TOOL # B0157