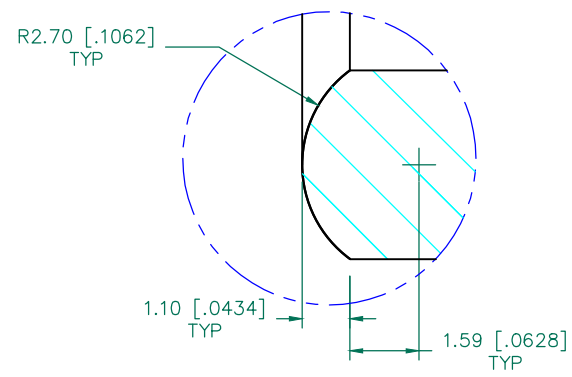
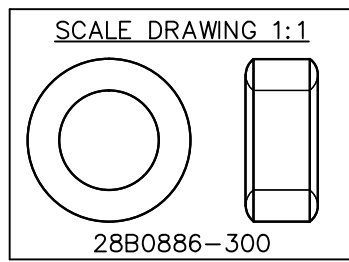


SECTION A-A  
SEE DETAIL "A"

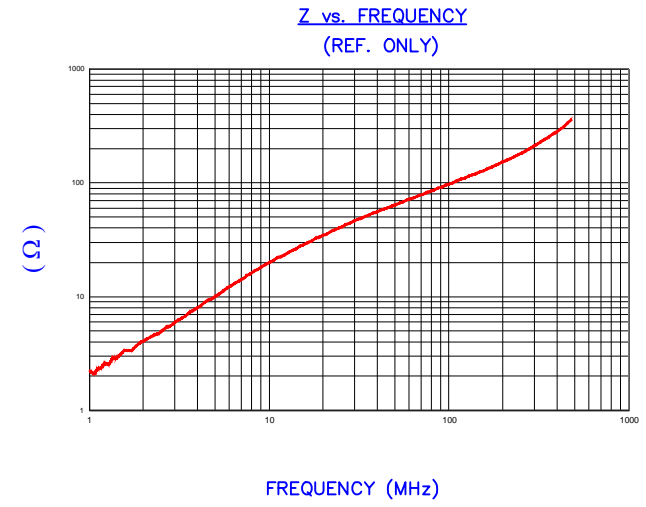


DETAIL "A"  
SCALE: 6:1  
TYPICAL

NOTES:  
1. COSMETIC SPECIFICATION REFER TO WI-QA-038.



IMPEDANCE ( Z )			
Frequency	25 MHz	100 MHz	300 MHz
Nominal (REF)	41 Ω	98 Ω	210 Ω
Minimum	- Ω	79 Ω	- Ω



AGILENT E4991A Impedance/Material Analyzer  
HP 16092A Test Fixture

FERRITE CORE DIMENSIONS (SPEC): mm/inches

A	22.50 [.886]	±	0.45 [.018]
B	13.80 [.543]	±	0.45 [.018]
C	10.00 [.394]	±	0.40 [.016]

WEIGHT/1000 11.47 kgs [25.28 lbs]

DIMENSIONS ARE IN MM [INCHES].				This print is the property of Laird Tech. and is loaned in confidence subject to return upon request and with the understanding that no copies shall be made without the written consent of Laird Tech. All rights to design or invention are reserved.		Laird	
				PROJECT/PART NUMBER:	REV	PART TYPE:	DRAWN BY:
				28B0886-300	A	FERRITE CORE	Jcai
				DATE:	SCALE:	MATERIAL:	
				01/24/19	2 : 1	FERRITE	
A	NEW RELEASE	01/24/19	Jcai	CAD #	TOOL #		
REV	DESCRIPTION	DATE	INT	28B0886-300-A	B0886		