
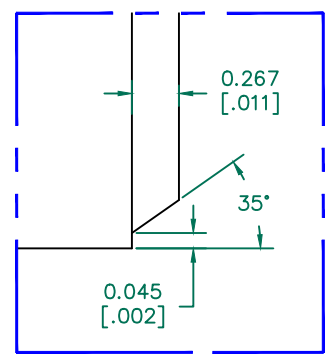


SCALE DRAWING 1:1

 28M0158-000



DETAIL "A"
 SCALE: 50 : 1


BARE DIMENSIONS:

A	4.00 [.157]	+	0.20 [.008]
B	15.00 [.590]	+	0.50 [.020]

WEIGHT/K 0.91 kgs 2.01 lbs.

NOTES:

1. Cosmetic specification refer to WI-QA-038.

DIMENSIONS ARE IN mm [INCHES].				This print is the property of Laird Tech. and is loaned in confidence subject to return upon request and with the understanding that no copies shall be made without the written consent of Laird Tech. All rights to design or invention are reserved.				
				PROJECT/PART NUMBER:				REV
				28M0158-000		A	ROD	QIU
				DATE: 06/20/14		SCALE: NTS		MATERIAL:
				CAD # 28M0158-000-A		TOOL # 8:1		FERRITE
REV	DESCRIPTION	DATE	INT					
A	ORIGINAL DRAFT	06/20/14	QIU					