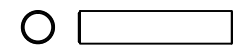
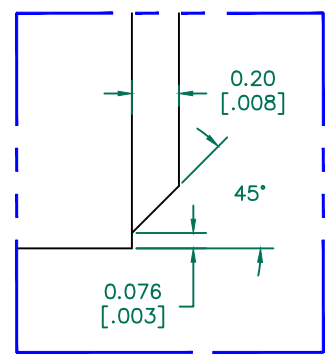
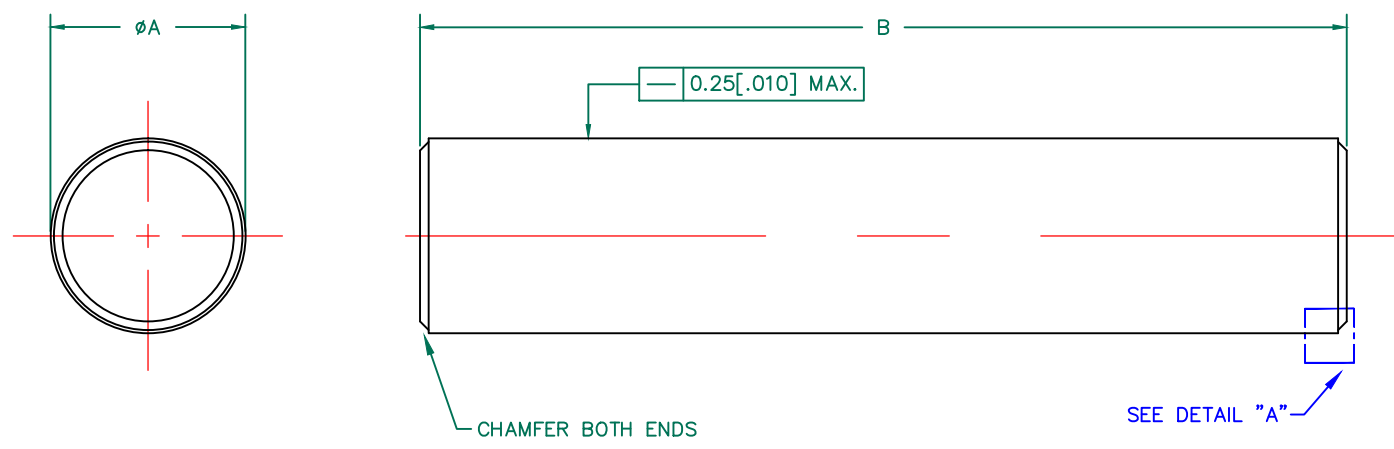


SCALE DRAWING 1:1  
  
 28M0177-400



DETAIL "A"  
 SCALE: 50 : 1


BARE DIMENSIONS:

A	4.50 [.177]	+	0.10 [.004]
B	21.40 [.843]	+	0.21 [.008]

WEIGHT/K 1.65 kgs 3.63 lbs.

NOTES:

- Cosmetic specification refer to WI-QA-038.

DIMENSIONS ARE IN mm [INCHES].				This print is the property of Laird Tech. and is loaned in confidence subject to return upon request and with the understanding that no copies shall be made without the written consent of Laird Tech. All rights to design or invention are reserved.				
REV	DESCRIPTION	DATE	INT					PROJECT/PART NUMBER:
					28M0177-400	A	ROD	QIU
					DATE: 06/20/14		SCALE: NTS	MATERIAL:
A	ORIGINAL DRAFT	06/20/14	QIU		CAD # 28M0177-400-A		TOOL # 6:1	FERRITE