

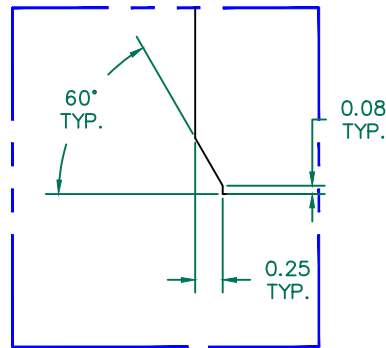
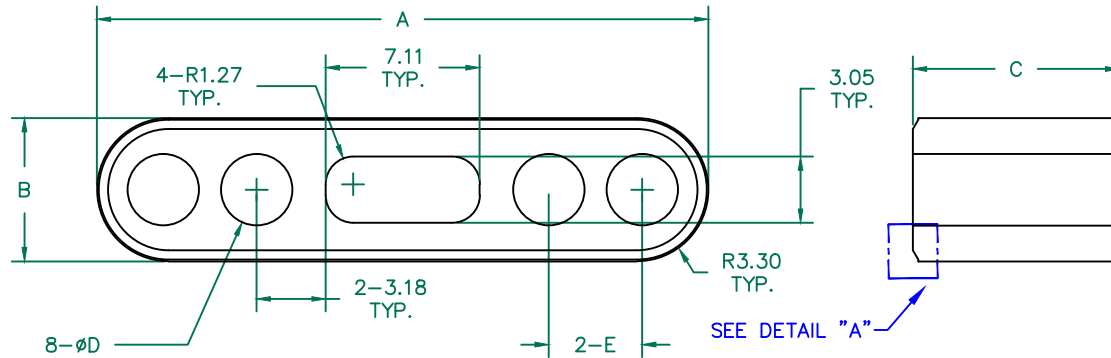
SCALE DRAWING 1:1



28N1110-000

ELECTRICAL TESTING

TEST	NET Z	NET Z
# TURNS	1 LOOP	1 LOOP
AWG	24	24
FREQUENCY	25 MHz	100 MHz
NOMINAL	54 Ω	83 Ω
MINIMUM	-	66 Ω



DETAIL "A"
SCALE: 15 : 1

NOTES:

1. Cosmetic specification refer to WI-QA-015.
2. TEST Z WITH ONE TURN PASS THROUGH 1ST HOLE.
3. PARTS TO BE TUMBLED FOR REMOVE SHARP EDGES.

FERRITE CORE DIMENSIONS (SPEC):

A	28.19 [1.110]	+ 0.45 [.018]
B	6.60 [.260]	+ 0.30 [.012]
C	9.53 [.375]	+ 0.30 [.012]
D	3.30 [.130]	+ 0.20 [.008]
E	4.32 [.170]	Ref.

DIMENSIONS ARE IN mm [INCHES].				This print is the property of Laird Tech. and is loaned in confidence subject to return upon request and with the understanding that no copies shall be made without the written consent of Laird Tech. All rights to design or invention are reserved.		Laird	
PROJECT/PART NUMBER:				REV	PART TYPE:	DRAWN BY:	
28N1110-000				A	BALUN	Jcai	
DATE: 04/18/2019				SCALE:	3:1	MATERIAL:	
A NEW RELEASE 04/18/2019 Jcai				TOOL # N1110		FERRITE	
REV	DESCRIPTION	DATE	INT	28N1110-000-A			