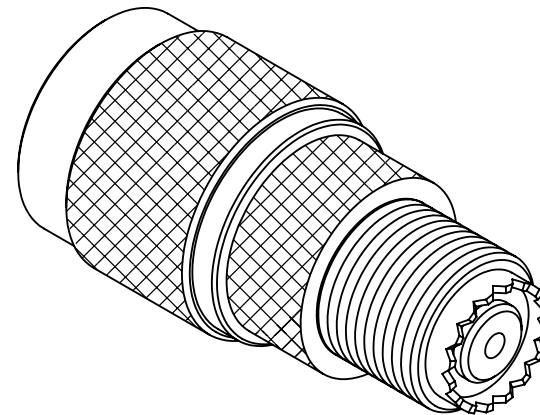
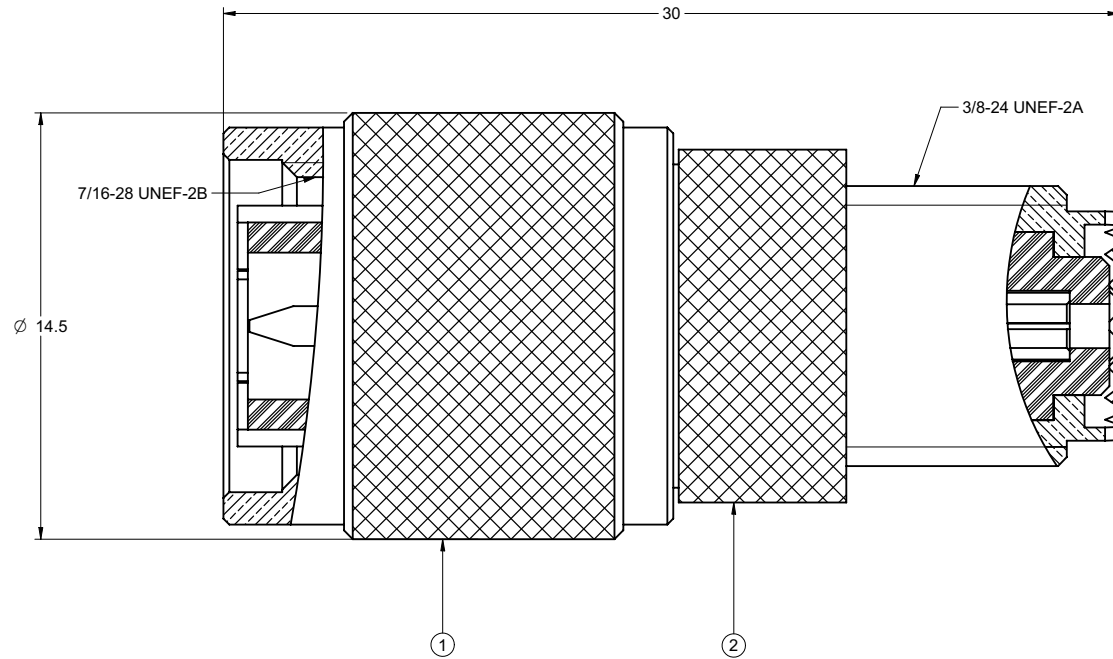


PART NUMBER	ITEM ① NUT	ITEM ② BODY
29-4105	BRASS NICKEL PLATED	BRASS NICKEL PLATED

受控 CONTROLLED DOCUMENT					
编号 P/N	29-4105	版本 Rev	0B	日期 Rel'd Date	Mar 24, 08

DRAWING NO. 29-4105	
REVISIONS	
RELEASE FOR QUOTATION	
A	01-20-06 W W T
ADD NOTES 4 & 5	
B	12-26-06 Z L T



NOTES:

- ELECTRICAL SPECIFICATIONS
TNC IMPEDANCE: 50 OHM
MINI-UHF IMPEDANCE: NON-CONSTANT
WORKING VOLTAGE: 500 VOLTS RMS AT SEA LEVEL
DIELECTRIC WITHSTANDING VOLTAGE: 1500 VOLTS RMS AT SEA LEVEL
INSULATION RESISTANCE: 5000 MEGOHMS MIN
- ENVIRONMENTAL SPECIFICATIONS
TEMPERATURE RANGE: -55 °C TO +85 °C
- MECHANICAL CHARACTERISTICS:
DURABILITY: 500 CYCLES
- PRODUCT SHOULD BE RoHS COMPLIANCE.
- PACKAGING REQUIREMENT FOLLOWS ENGINEERING DOCUMENT P/N 836-40200001XX

THIS DRAWING TO BE INTERPRETED
PER ANSI Y 14.5M - 1994

COMPANY CONFIDENTIAL

TOLERANCE UNLESS OTHERWISE SPECIFIED		DRAWN BY GARY.ZHG	DATE 12-26-06
DECIMALS	mm	CHECKED BY LINDA.WU	DATE 12-26-06
X	± 0.5	APPROVED BY THOMAS	DATE 12-26-06
X.X	± 0.2		
X.XX	± 0.1		
ANGLES	± 0.5°	U/M	mm

EMERSON Network Power		Connectivity Solutions	
TITLE MINI UHF TO TNC MALE			

THIS DRAWING WAS PRODUCED BY COMPUTER,
DO NOT SCALE DRAWING OR UPDATE MANUALLY.

SHEET 1 OF 1	DRAWING NO. 29-4105	SIZE C
-----------------	------------------------	-----------