

5

4

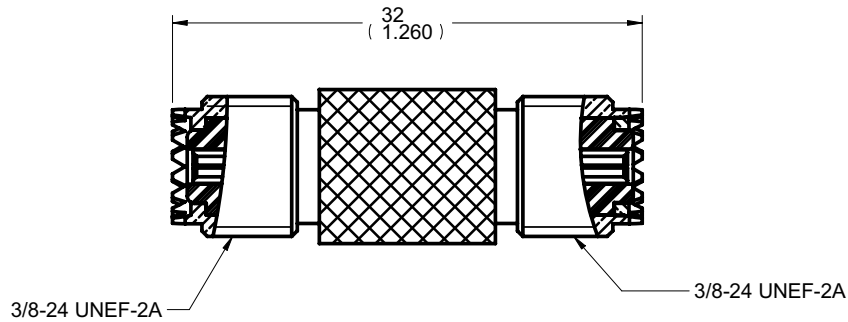
3

2

1

受控 CONTROLLED DOCUMENT				
编号 P/N	29-4110	版本 Rev	02	日期 Rel'd Date
Aug9,11				

Description: Mini UHF FM TO FM  
 Part No: 29-4110  
 Application: UHF to UHF adaptor  
 Crimp Tool: N/A  
 Impedance: N/A  
 Frequency Range: N/A  
 Material: Body Brass Nickel Plated  
 Insulator Delrin  
 Contact Brass Gold Plated  
 RoHS Compliance: Yes  
 Technical Detail: Refer to Emerson Document P/N 29-0000



**DIM OUTLINE**

DRAWING NO.  
29-4110

**REVISIONS**

01	OFFICIAL RELEASE				
	08-05-09	I	W	T	H
02	CHANGE INSULATOR MATERIAL FROM TEFLON TO DELRIN CHANGE CONTACT MATERIAL FROM BERYLLIUM TO BRASS				
	07-01-11	L	H	M	ECO-11-0127

**CUSTOMER COPY**

TOLERANCE UNLESS OTHERWISE SPECIFIED		DRAWN BY Wencan Li	DATE 07-01-11
DECIMALS	mm	CHECKED BY Hu Yuge	DATE 07-01-11
X	± 0.5	APPROVED BY Ma Lin	DATE 07-01-11
X.X	± 0.3	U/M	mm
X.XX	± 0.1		
ANGLES	± 0.5V		

 **cinch**  
CONNECTIVITY SOLUTIONS  
a bel group

TITLE  
**CPAD240 MINI-UHF (F-F)  
ADAPTER**

THIS DRAWING WAS PRODUCED BY COMPUTER,  
DO NOT SCALE DRAWING OR UPDATE MANUALLY.

SHEET 1 OF 1	DRAWING NO. 29-4110	SIZE A
-----------------	------------------------	-----------

5

4

3

2

1

for evaluation on