

5

4

3

2

1

DRAWING NO.  
29-4145-CUST

REVISIONS

OFFICAL RELEASE			
01			2009.09.01 8-08-29-46 +0800
08-25-09	T W	B Y	T Betty

Description: Adapter Mini UHF ML to UHF male

Part No: 29-4145

Application: Adapter

Crimp Tool: N/A

Impedance: 75 Ohms

Fequency Range: 0-500 MHz

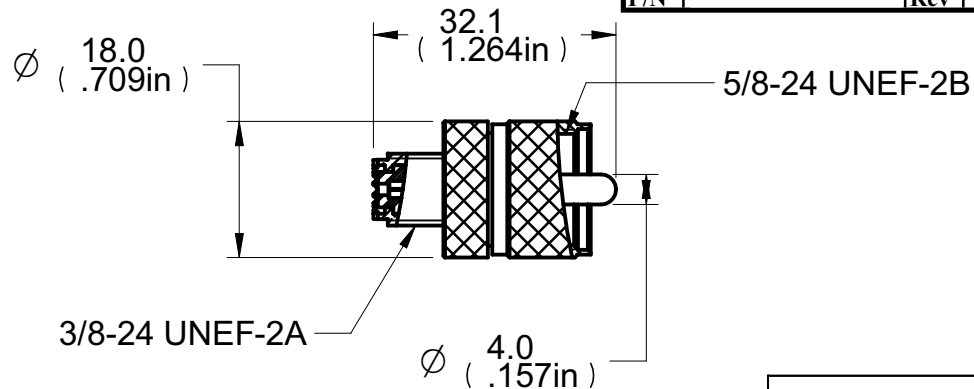
Material: Body Brass Nickel Plated  
Contact Brass Gold Plated  
Insulator Derlin  
Crimp Sleeve Brass Nickel Plated  
Coupling Nut Zinc Nickel Plated

RoHS Compliance: Yes

Technical Detail: Refer to Emerson Document 29-0000



受控 CONTROLLED DOCUMENT					
编号 P/N	29-4145-CUST	版本 Rev	01	日期 Rel'd Date	SEP 14,09



**DIM OUTLINE**

CUSTOMER COPY

TOLERANCE UNLESS OTHERWISE SPECIFIED		DRAWN BY <b>TERRY.W</b>	DATE 08-25-09
DECIMALS	mm	CHECKED BY <b>TERRY.W</b>	DATE 08-25-09
X	± 0.5	APPROVED BY <b>THOMAS</b>	DATE 08-25-09
X.X	± 0.3	U/M	mm
X.XX	± 0.1		
ANGLES	± 0.5°		



TITLE  
**ADAPTER, MINI UHF FM TO UHF MALE**

THIS DRAWING WAS PRODUCED BY COMPUTER,  
DO NOT SCALE DRAWING OR UPDATE MANUALLY.

SHEET 1 OF 1	DRAWING NO. <b>29-4145-CUST</b>	SIZE <b>A</b>
-----------------	------------------------------------	------------------

5

4

3

2

1