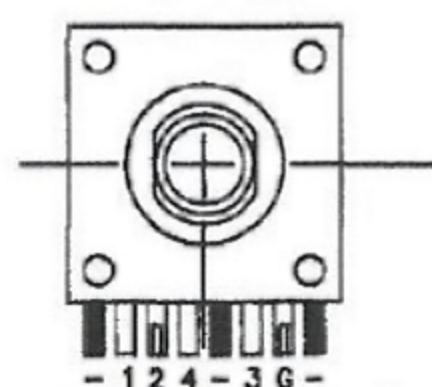
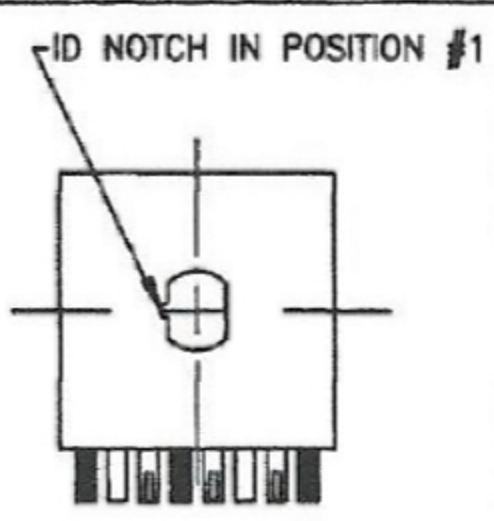
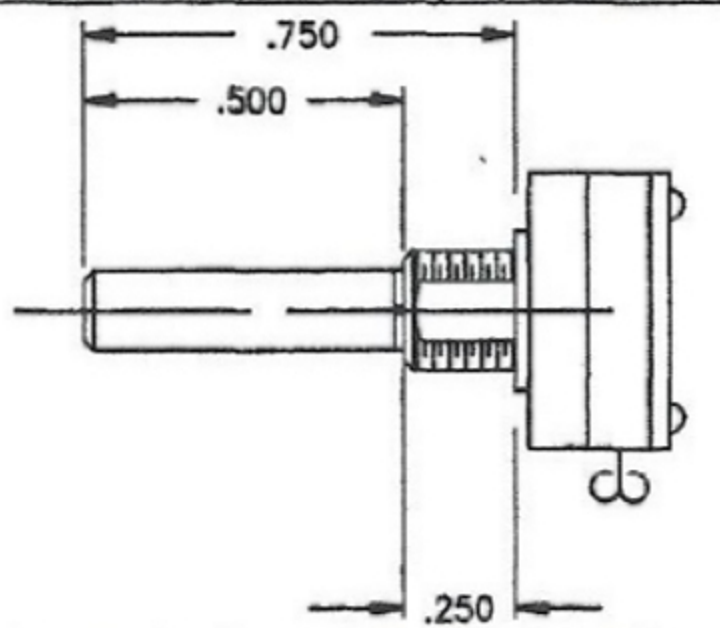


PARALLEL SHAFT MOUNTING
(RELATIVE TO PC BOARD)



SWITCH SHOWN IN EXTREME C.C.W. POSITION. SHOWN CUTAWAY PORTION OF SHAFT IN BLACK.



CUST. X CEL CORP.
PART NO. 107915-00001
STAMP NO. 2922

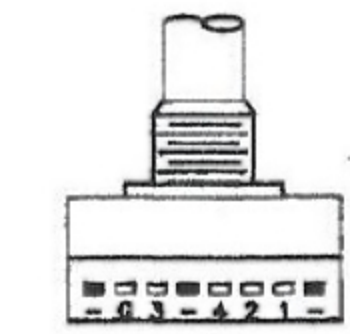
- 1 TOTAL NO. OF SECTIONS
- 16 NO. OF POSITIONS WITH STOP
- SHORTING CONTACTS
- NON-SHORTING CONTACTS

SUPPLY:
1 NUTS 3/8" 32 x 1/2 A.F.
1 3/8" INT. TOOTH LOCKWASHER

SPECIAL INSTRUCTIONS

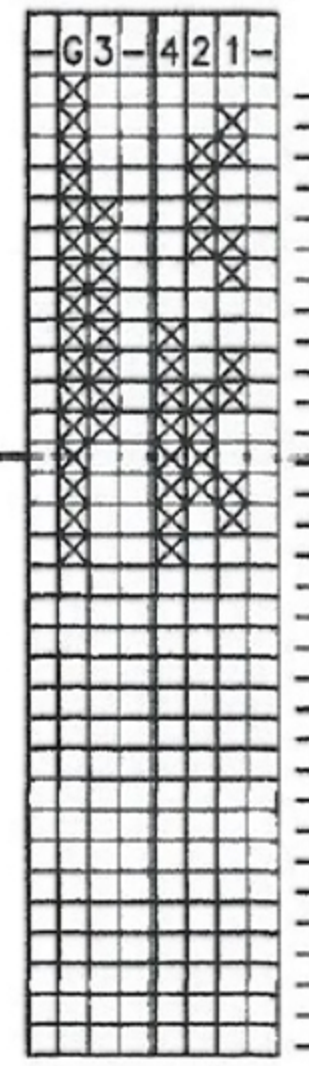
G = COMMON TERMINAL PIN.
"x" OR "o" DENOTES CLOSED TO COMMON
MOUNTING HARDWARE AND BUSHING "O" RING TO BE SHIPPED BULK.

FOOTPRINT VIEWED FROM TOP OF SWITCH



SECTION #1

24-1610/2310



SECTION #1

8 2 4 6 5 3 1 7

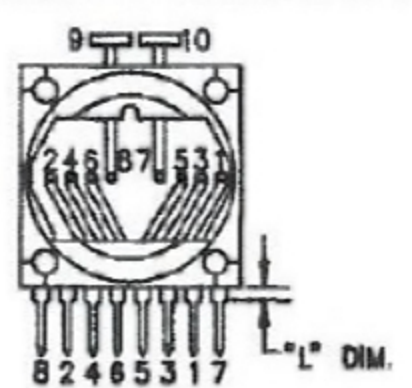
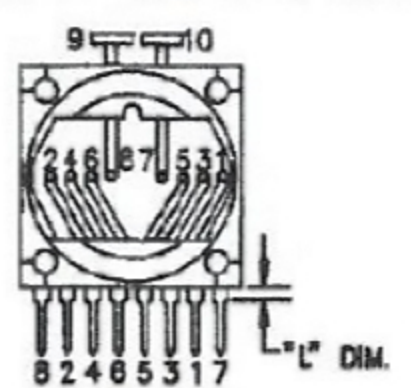
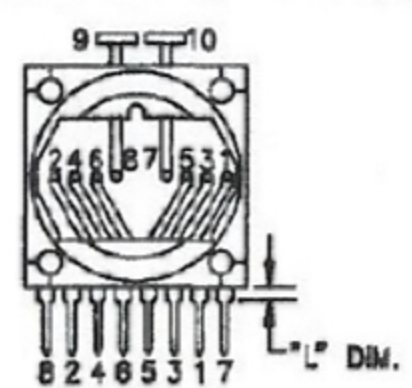
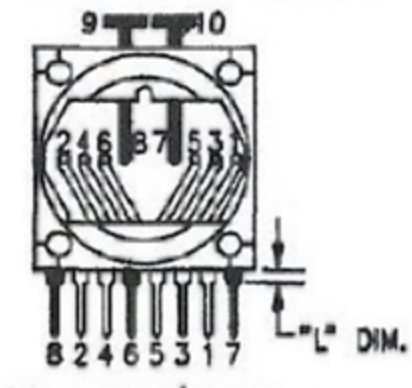
CUTAWAY TERMINALS SHOWN IN BLACK.

C	Reactivated	C.P.	6-13-91
B	CUST. DWG. NO. WAS SK-830403 REV. P1, ADD. NOTE, RELEASE TO PRODUCTION ECH # 82749		M.V. 08-20-93
A	DETENT HSG. WAS /8014, ADD. BUSHING "O" RING AND STAMP NO. M.V.		01-08-93
LET.	WAS	DATE	

REVISIONS

ORDER NO. _____
QUANTITY PER ORDER _____

VIEWED FROM REAR BALL FORM UP.



PART NUMBER	02-1600/1960			
"A" PARTED	OPTIONAL			
"L" DIMENSION	.150 & SOLDER LUG			
TRIM CONTACT NUMBER	7 & 8			
TRIM TERMINAL NUMBER	6, 7, 8, 9 & 10			

Originated By	C.R.	6-13-91
Checked By	DP	6-13-91

SHAFT PER SHEET #2

SPEC. NO. _____