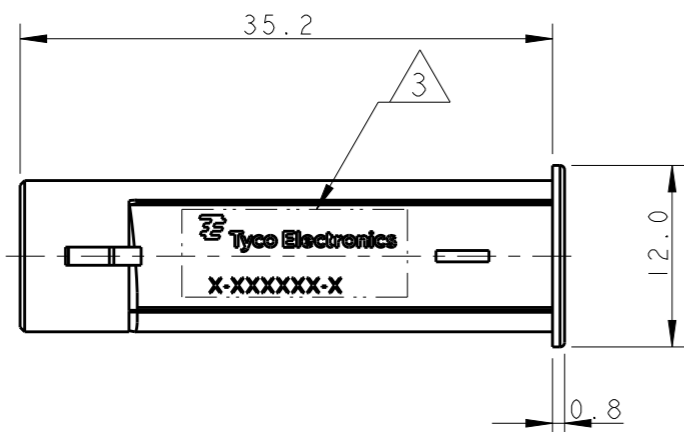


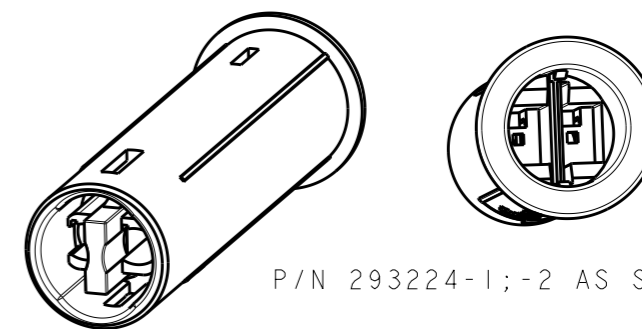
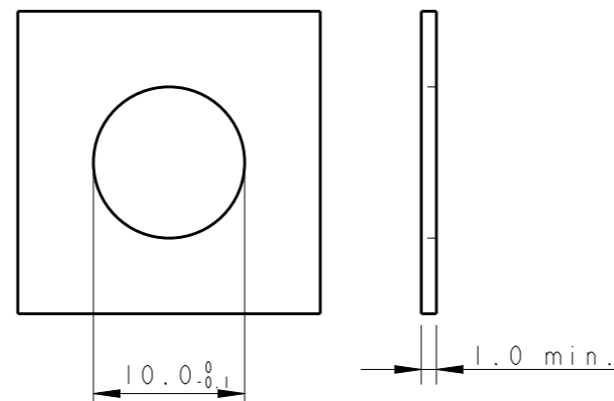
THIS DRAWING IS UNPUBLISHED. RELEASED FOR PUBLICATION 2005
 © COPYRIGHT 2005 BY - ALL RIGHTS RESERVED.

REVISIONS

| P | LTR | DESCRIPTION | DATE | DWN | APVD |
|----|-----|---------------------------|-----------|-----|------|
| C1 | | ADDED PANEL LAYOUT | 08APR2008 | AV | GT |
| C2 | | MODIFIED | 02FEB2010 | AV | GT |
| C3 | | REVISED PER ECR-16-005692 | 31MAY2016 | RS | JL |
| D | | ECR-16-017348 | 24FEB2017 | RK | JL |

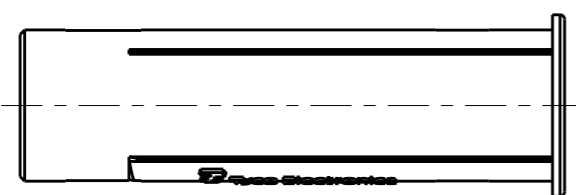
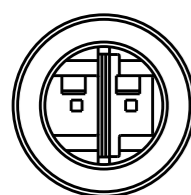


PANEL LAYOUT CONFIGURATION

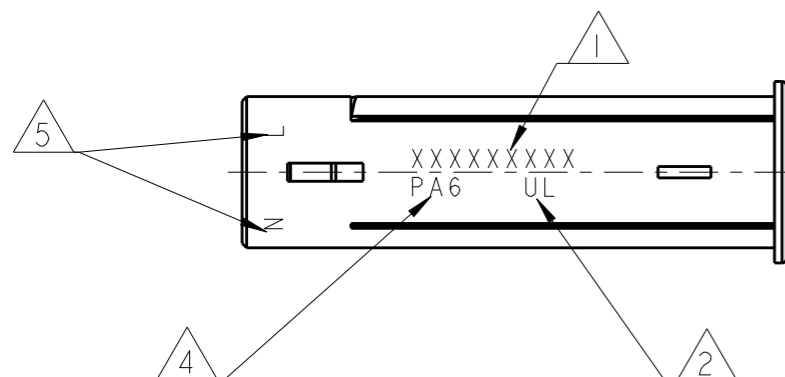


P/N 293224-1;-2 AS SHOWN

KEYING HV-4

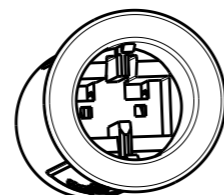
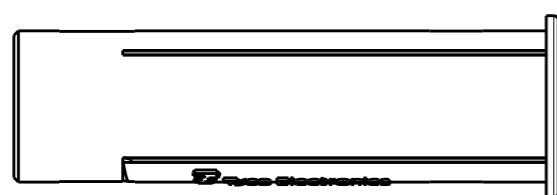
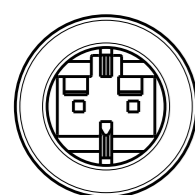


- 1 KEYING DEPENDENT MARKING (SEE TABLE)
- 2 INSERT FOR UL, LOGO DESIGN BUT NOT EXECUTE
- 3 PART MARKING
-Tyco Electronics Product Identifier
Date Code
Part number
- 4 RAW MATERIAL IDENTIFICATION
PA6 or PBT GF15%
- 5 WAY IDENTIFICATION



| | | | | | |
|------|--------|---------------------|----------------|-------|----------|
| | LV-2 | LOW-VOLT 125VAC/VDC | 7A 125VAC/VDC= | BLACK | 293224-6 |
| | LV-2 | LOW-VOLT 125VAC/VDC | 7A 125VAC/VDC= | WHITE | 293224-5 |
| | HV-4 | HIGH-VOLT 250 Vac | 2.5A/250Vac | BLACK | 293224-2 |
| | HV-4 | HIGH-VOLT 250 Vac | 2.5A/250Vac | WHITE | 293224-1 |
| NOTE | KEYING | REMARKS | MARKING 1 | COLOR | P/N |

P/N 293224-5;-6 AS SHOWN
KEYING LV-2



THIS DRAWING IS A CONTROLLED DOCUMENT.

DWN 27JUN2006
A. Vecchia

CHK 27JUN2006
G. Turco

APVD -

STE TE Connectivity

NAME
HOUSING PANEL OUTLET

DIMENSIONS: mm

TOLERANCES UNLESS OTHERWISE SPECIFIED:

| | |
|--------|------|
| 0 PLC | ± |
| 1 PLC | ±0.3 |
| 2 PLC | ± |
| 3 PLC | ± |
| 4 PLC | ± |
| ANGLES | ± |

MATERIAL FINISH

PRODUCT SPEC

APPLICATION SPEC

WEIGHT

CUSTOMER DRAWING

SIZE A3 CAGE CODE 00779 DRAWING NO C-293224 RESTRICTED TO -

SCALE 2:1 SHEET 1 OF 1 REV D