

THIS DRAWING IS UNPUBLISHED.

RELEASED FOR PUBLICATION

20

© COPYRIGHT 20

Tyco Electronics AMP GmbH

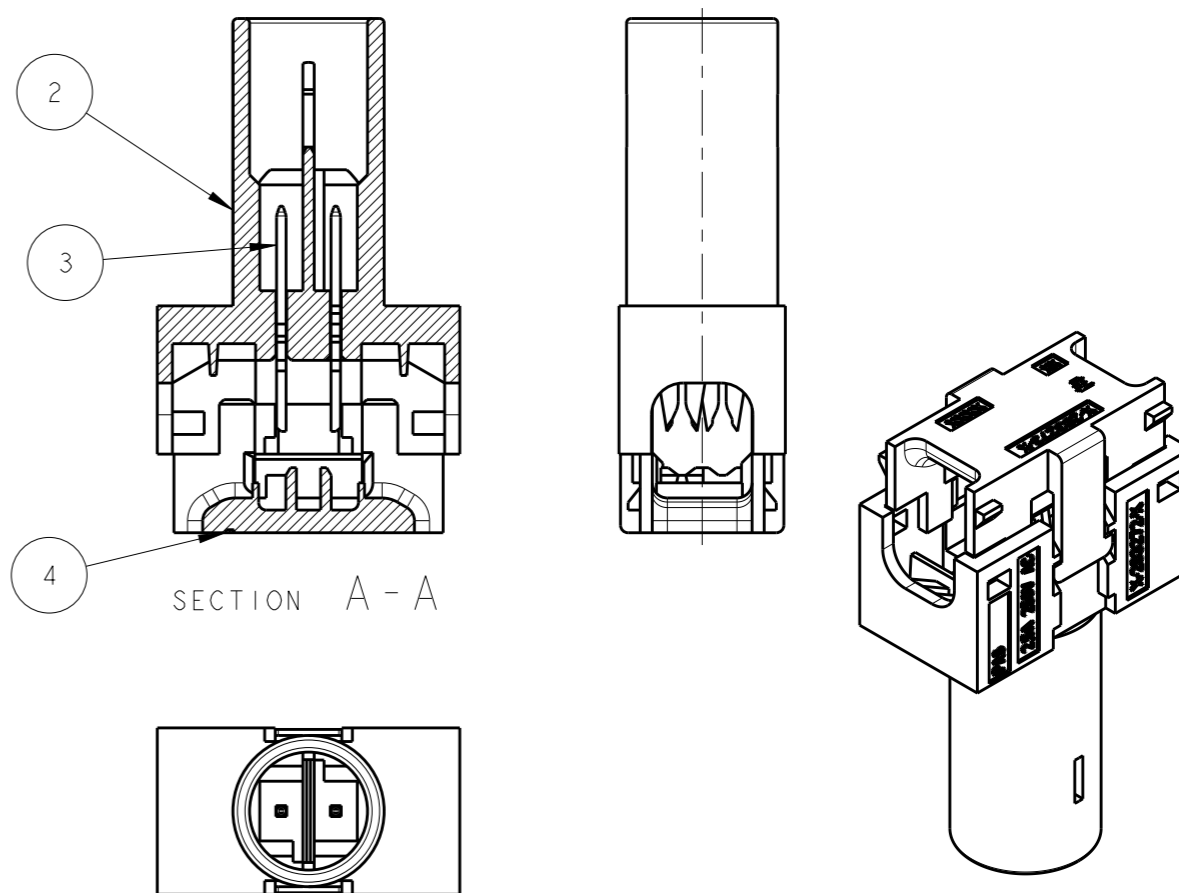
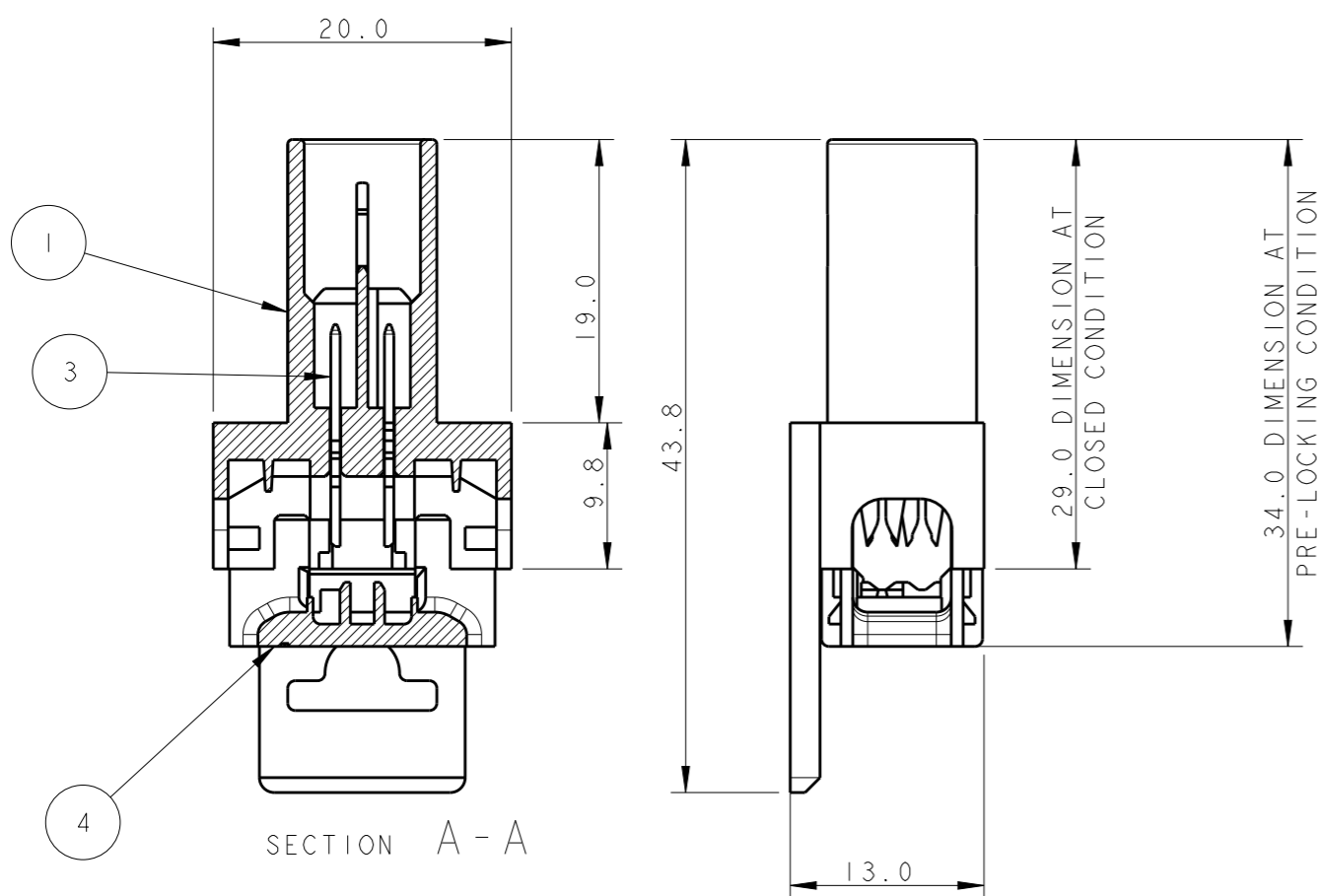
ALL RIGHTS RESERVED.

LOC
A1

DIST
-

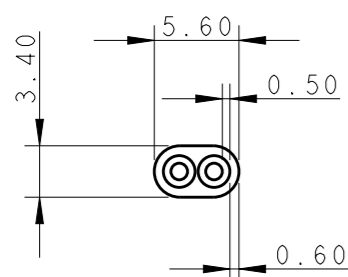
REVISIONS

P	LTR	DESCRIPTION	DATE	DWN	APVD
L		IMPROVED LOCKING RETENTION TEETH	20MAY2011	AV	GT
M		REMOVED H05VVH2-F CABLE	22AUG2012	MZ	JC
N		ECR-16-004670	26APR2016	RS	JL



CABLE CONFIGURATION

CABLE H03VVH2-F
2x0.75 mm²



P/N 0-293300-1;-2 AS SHOWN
POLARIZATION KEY HV-1

MISSING DIMENSION SEE P/N 0-...-1

P/N 0-293300-3;-4 AS SHOWN
POLARIZATION KEY HV-1

THIS DRAWING IS A CONTROLLED DOCUMENT.

DWN 23APR2007
A. Vecchia
CHK 23APR2007
G. Turco
APVD 23APR2007
G. Turco

NAME
STE TE Connectivity
BUS BAR 2 POSITION
GENERAL

DIMENSIONS: mm	
TOLERANCES UNLESS OTHERWISE SPECIFIED:	
0 PLC	±0.3
1 PLC	±0.05
2 PLC	±0.05
3 PLC	±0.05
4 PLC	±0.05
ANGLES	±1°

PRODUCT SPEC
108-94018
APPLICATION SPEC
114-20131
WEIGHT
-

SIZE	CAGE CODE	DRAWING NO	RESTRICTED TO
A3	00779	C-293300	-

MATERIAL
-

FINISH
-

CUSTOMER DRAWING SCALE 2:1 SHEET 1 OF 2 REV N

THIS DRAWING IS UNPUBLISHED.

RELEASED FOR PUBLICATION

20

LOC

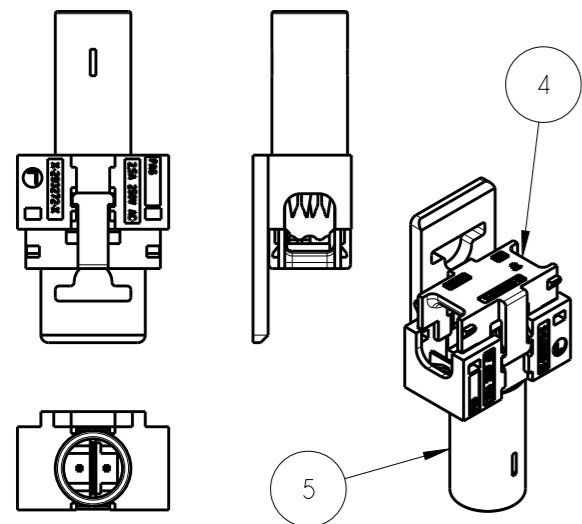
DIST

REVISIONS

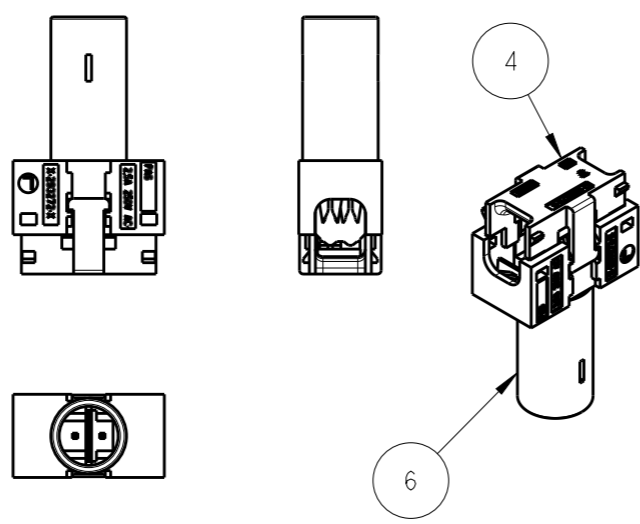
© COPYRIGHT 20 Tyco Electronics AMP GmbH ALL RIGHTS RESERVED.

P	LTR	DESCRIPTION	DATE	DWN	APVD
-	-	SEE SHEET 1	-	-	-

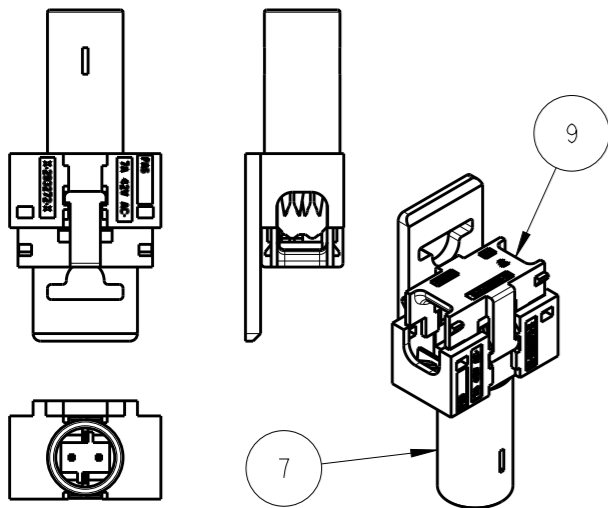
P/N 0-293300-5;-6 AS SHOWN
POLARIZATION KEY HV-4



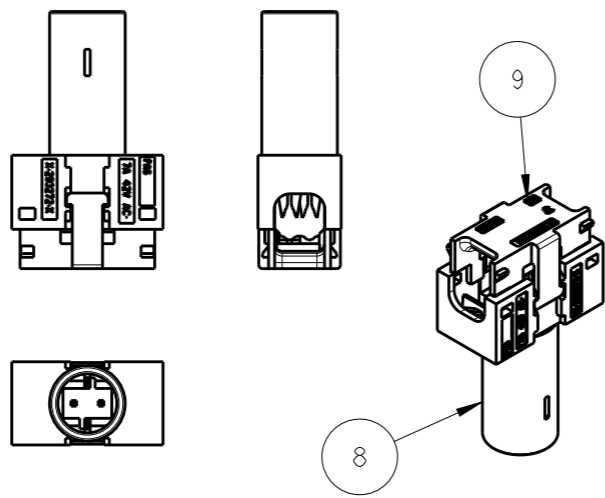
P/N 0-293300-7;-8 AS SHOWN
POLARIZATION KEY HV-4



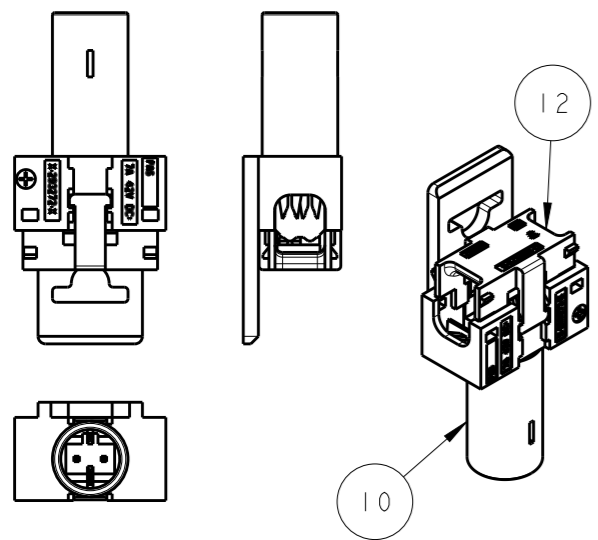
P/N 0-293300-9 AS SHOWN
POLARIZATION KEY LV-1



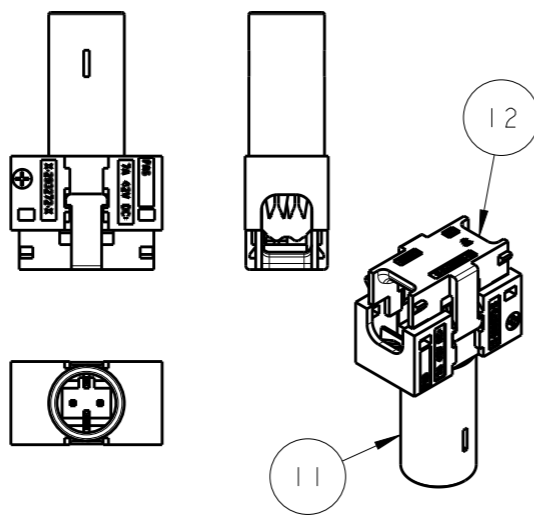
P/N 1-293300-0 AS SHOWN
POLARIZATION KEY LV-1



P/N 1-293300-1 AS SHOWN
POLARIZATION KEY LV-2



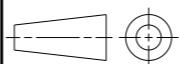
P/N 1-293300-2 AS SHOWN
POLARIZATION KEY LV-2



															COVER YELLOW	12
															BODY HOUSING W/O FLANGE YELLOW LV-2	11
															BODY HOUSING YELLOW LV-2	10
															COVER LIGHT GREY	9
															BODY HOUSING W/O FLANGE LIGHT GREY LV-1	8
															BODY HOUSING LIGHT GREY LV-1	7
															BODY HOUSING W/O FLANGE BLACK HV-4	6
															BODY HOUSING W/O FLANGE WHITE HV-4	6
															BODY HOUSING BLACK HV-4	5
															BODY HOUSING WHITE HV-4	5
															COVER BLACK	4
															COVER WHITE	4
2	2	2	2	2	2	2	2	2	2	2	2	2			CONTACT	3
															BODY HOUSING W/O FLANGE BLACK HV-1	2
															BODY HOUSING W/O FLANGE WHITE HV-1	2
															BODY HOUSING BLACK HV-1	1
															BODY HOUSING WHITE HV-1	1
															DESCRIPTION	ITEM
L	L	L	L	L	L	L	L	L	L	L	L	L			REVISIONE DELL'ASSEMBLATO (REV. OF EACH ASSY NO)	
LV-2	LV-2	LV-1	LV-1	HV-4	HV-4	HV-4	HV-4	HV-1	HV-1	HV-1	HV-1				KEYING ELENCO DEI COMPONENTI (PART LIST)	

THIS DRAWING IS A CONTROLLED DOCUMENT.

DIMENSIONS:
mm



TOLERANCES UNLESS OTHERWISE SPECIFIED:

- 0 PLC ±-
- 1 PLC ±0.3
- 2 PLC ±0.05
- 3 PLC ±-
- 4 PLC ±-
- ANGLES ±°

MATERIAL -

FINISH -

DWN 23APR2007

A. Vecchia

CHK 23APR2007

G. Turco

APVD 23APR2007

G. Turco

PRODUCT SPEC

108-94018

APPLICATION SPEC

114-20131

WEIGHT -

CUSTOMER DRAWING



TE Connectivity

NAME

BUS BAR 2 POSITION
GENERAL

SIZE

A300779

CAGE CODE

©-293300

DRAWING NO

RESTRICTED TO

SCALE 2:1

SHEET 2 OF 2

REV N