

THIS DRAWING IS UNPUBLISHED.

RELEASED FOR PUBLICATION

20

© COPYRIGHT 20

Tyco Electronics AMP GmbH

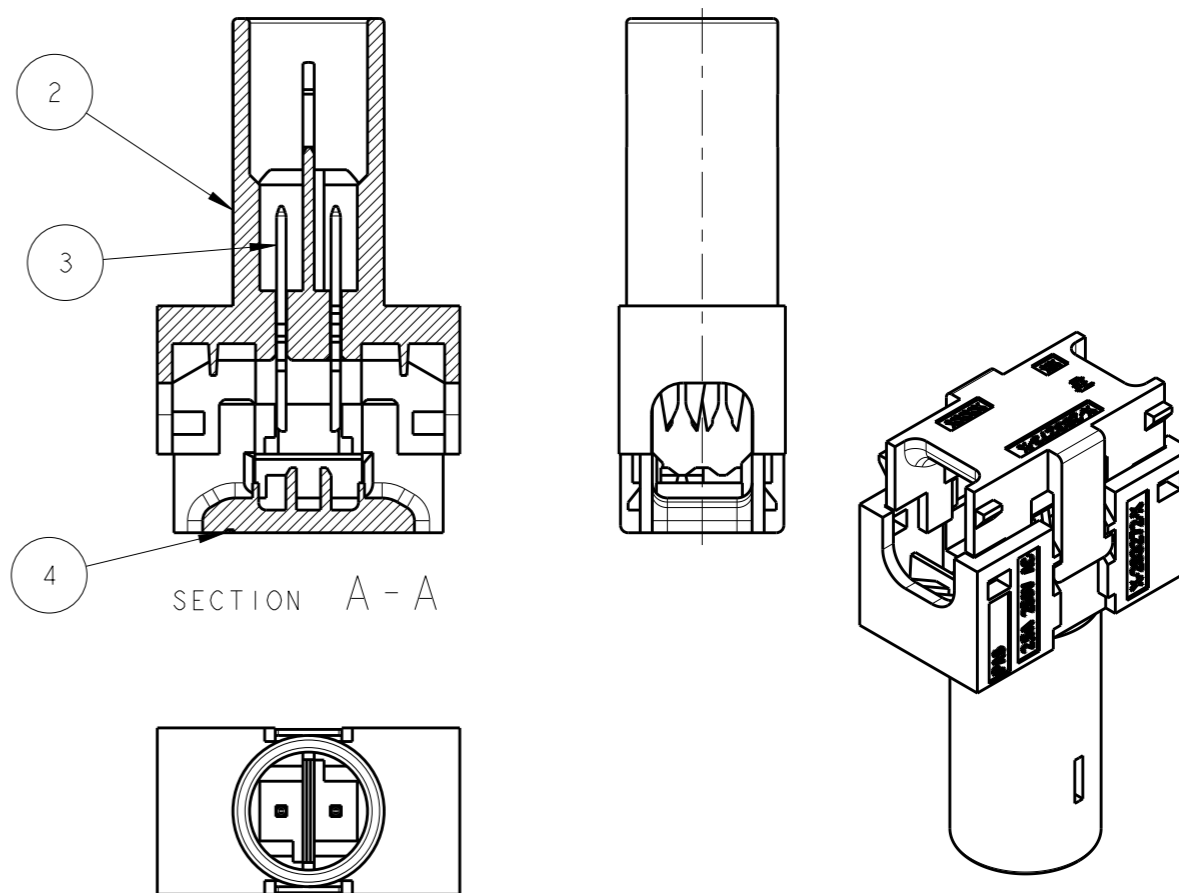
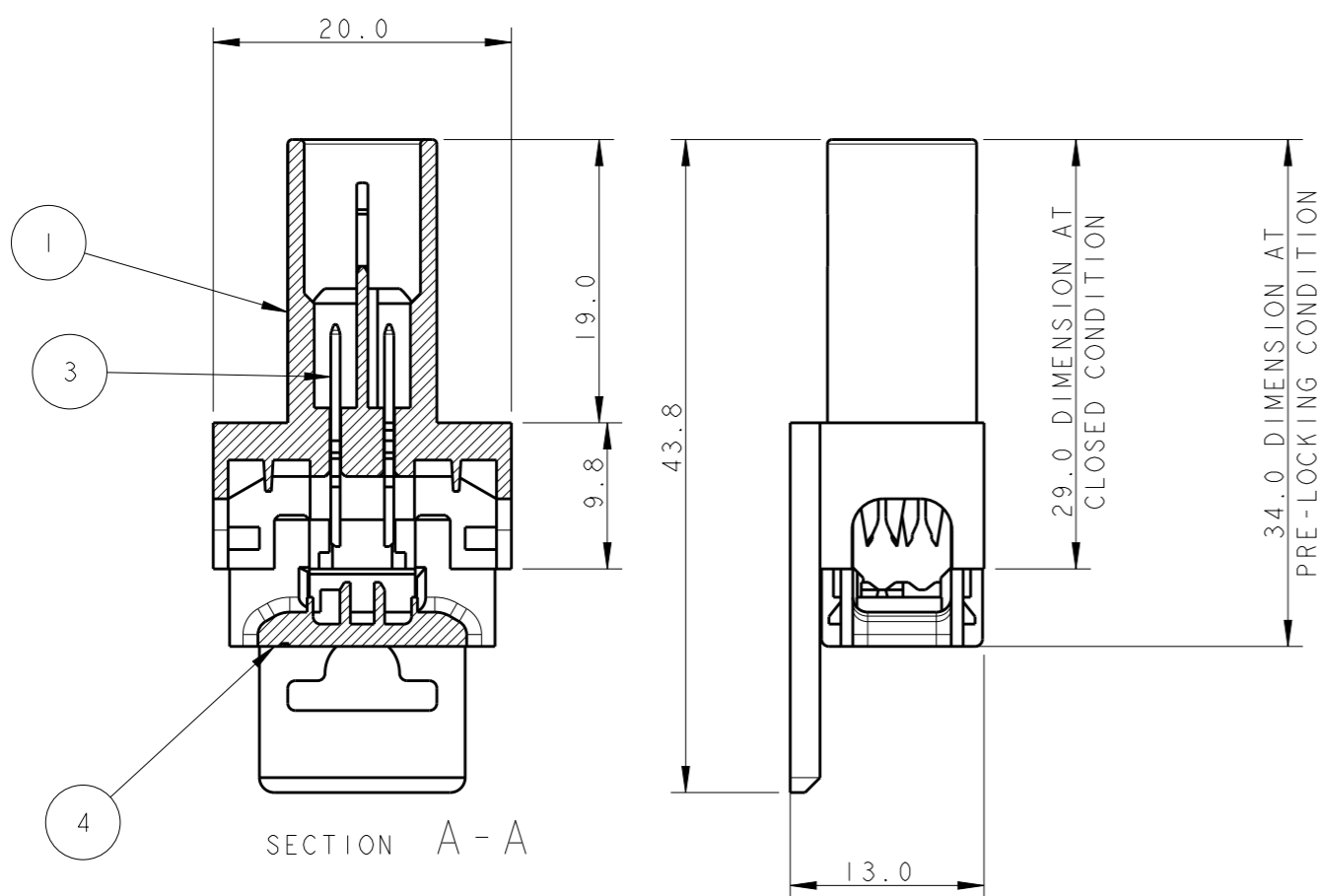
ALL RIGHTS RESERVED.

LOC
A1

DIST
-

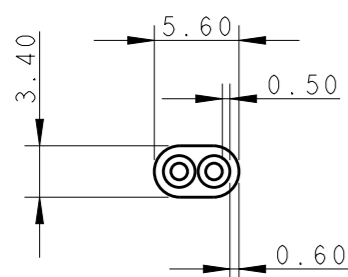
REVISIONS

P	LTR	DESCRIPTION	DATE	DWN	APVD
L		IMPROVED LOCKING RETENTION TEETH	20MAY2011	AV	GT
M		REMOVED H05VVH2-F CABLE	22AUG2012	MZ	JC
N		ECR-16-004670	26APR2016	RS	JL



CABLE CONFIGURATION

CABLE H03VVH2-F
2x0.75 mm²



P/N 0-293300-1;-2 AS SHOWN
POLARIZATION KEY HV-1

MISSING DIMENSION SEE P/N 0-...-1

P/N 0-293300-3;-4 AS SHOWN
POLARIZATION KEY HV-1

THIS DRAWING IS A CONTROLLED DOCUMENT.

DWN 23APR2007
A. Vecchia
CHK 23APR2007
G. Turco
APVD 23APR2007
G. Turco

STE TE Connectivity

DIMENSIONS: mm	TOLERANCES UNLESS OTHERWISE SPECIFIED:
	0 PLC ±-
	1 PLC ±0.3
	2 PLC ±0.05
	3 PLC ±-
	4 PLC ±-
	ANGLES ±°
MATERIAL -	FINISH -

PRODUCT SPEC 108-94018
APPLICATION SPEC 114-20131
WEIGHT -

NAME BUS BAR 2 POSITION GENERAL			
SIZE	CAGE CODE	DRAWING NO	RESTRICTED TO
A3	00779	C-293300	-

CUSTOMER DRAWING SCALE 2:1 SHEET 1 OF 2 REV N

