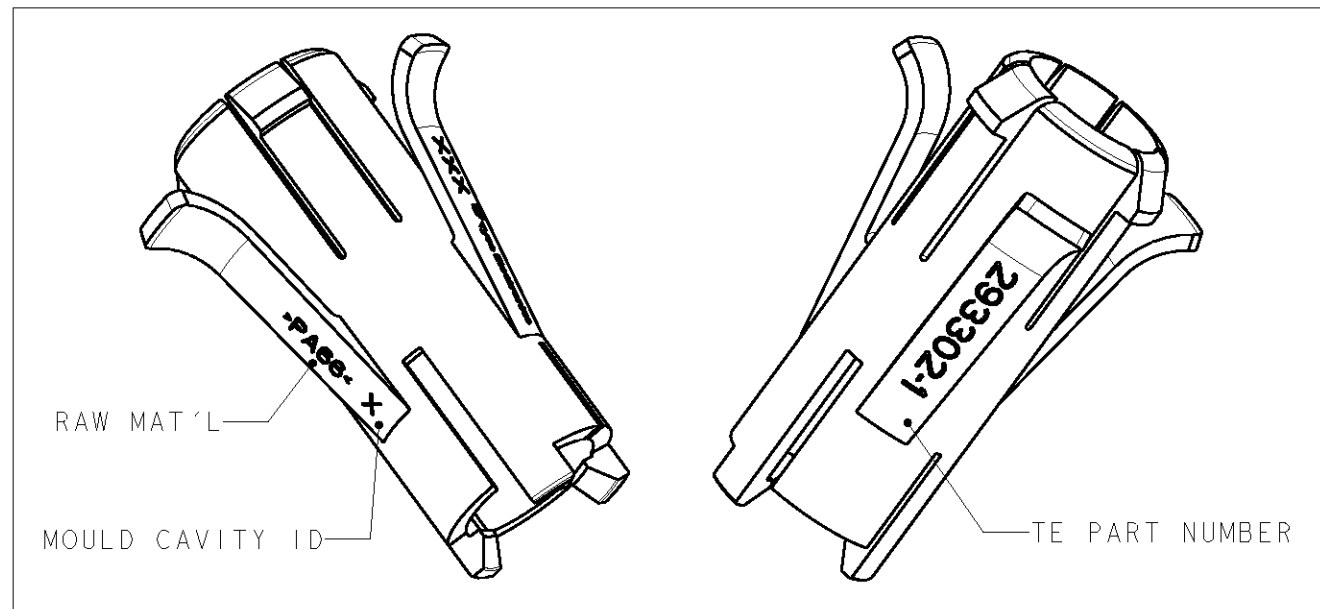
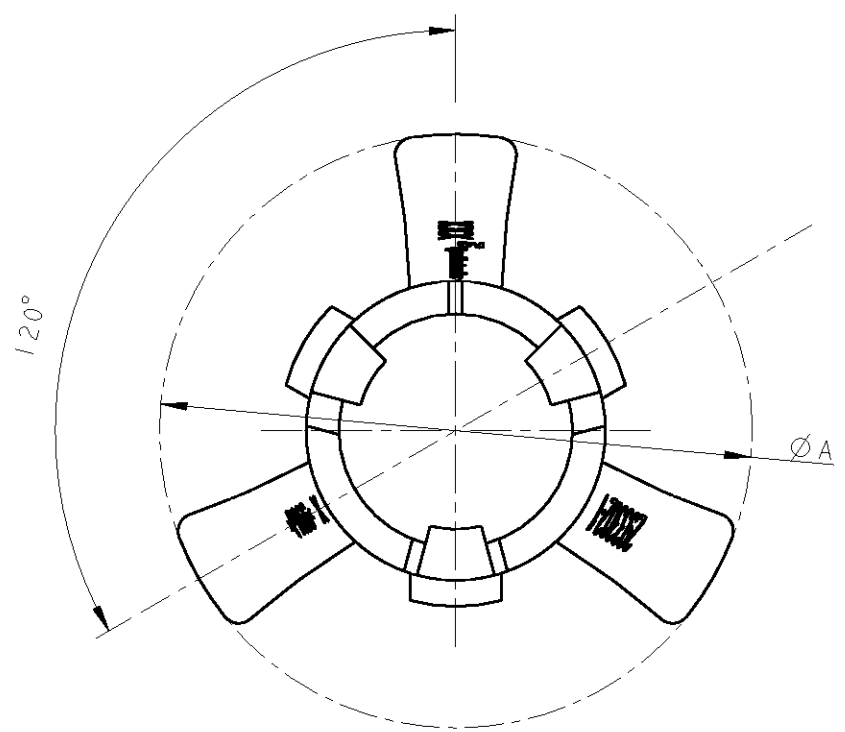
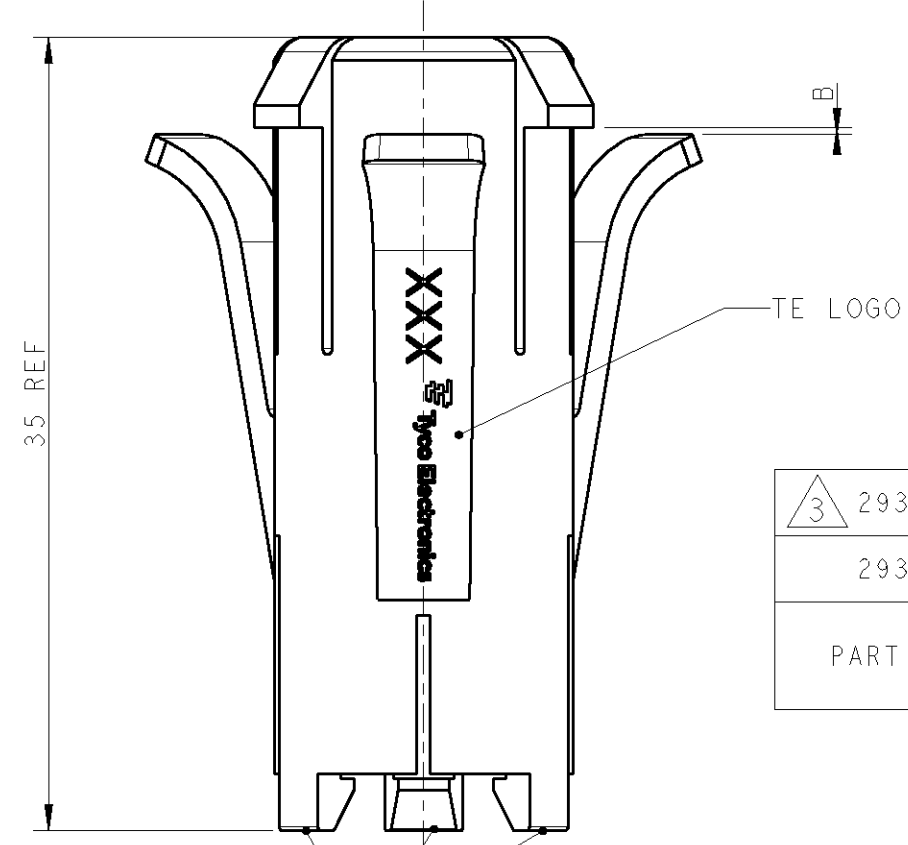


THIS DRAWING IS UNPUBLISHED. RELEASED FOR PUBLICATION 20  
 © COPYRIGHT 20 BY TYCO ELECTRONICS CORPORATION. ALL RIGHTS RESERVED.

LOC	DIST	REVISIONS			
P	LTR	DESCRIPTION	DATE	DWN	APVD
	A	FIRST ISSUE	18MAY2007	RF	GT
	A1	ADDED PANEL THICKNESS	15JUN2007	RF	GT
	A2	REVISED	27DEC2007	UA	GT

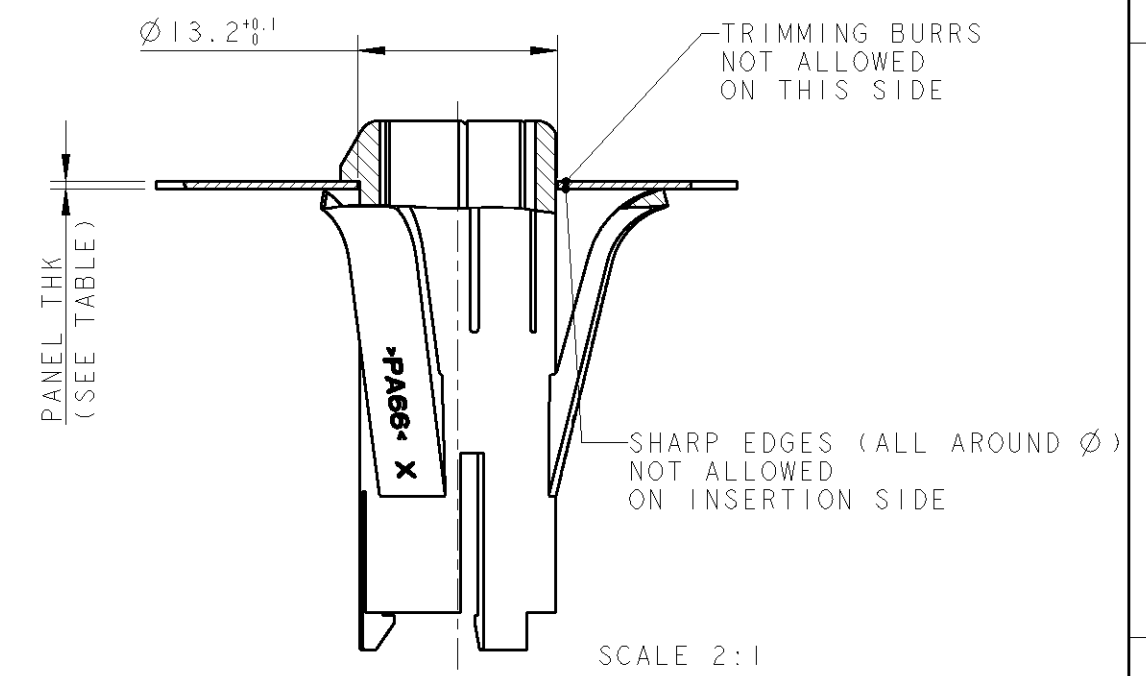


- NOTES:
- 1 MATERIAL: PA66 / GF20%
  - 2. PACKAGING: 500 PIECES/BOX
  - 3 NOT YET TOOLED
  - 4. TO BE USED WITH P/N 293303-1

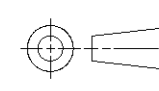


PART NO	REV.	MATERIAL	DIMENSIONS		PANEL THK	
			A	B	MIN	MAX
3 293302-2	A	1	27.3	1.2	1.5	3
293302-1	A	1	26.1	0.3	0.5	1.5

RECOMMENDED CUTOUT



LOCKING TEETH FOR RETENTION WITH P/N 293303-1

<small>THIS DRAWING IS A CONTROLLED DOCUMENT FOR TYCO ELECTRONICS CORPORATION IT IS SUBJECT TO CHANGE AND THE CONTROLLING ENGINEERING ORGANIZATION SHOULD BE CONTACTED FOR THE LATEST REVISION.</small>		DWN R. FRABONI 18MAY2007 CHK - APVD GT 18MAY2007 PRODUCT SPEC - APPLICATION SPEC - WEIGHT 2.8 g	<b>Tyco Electronics</b> AMP Italia S.p.A. C.so F.lli Cervi 15 Collegno (TO)
DIMENSIONS: mm 	TOLERANCES UNLESS OTHERWISE SPECIFIED: 0 PLC ±- 1 PLC ±0.3 2 PLC ± 3 PLC ± 4 PLC ± ANGLES ±1 FINISH -	NAME MINI HVL LIGHTING SYSTEM 7.5mm CHASSIS MOUNT FRAME SIZE A300779 CAGE CODE C=293302 DRAWING NO RESTRICTED TO -	SCALE 3:1 SHEET 1 OF 1 REV A2
MATERIAL SEE TABLE		CUSTOMER DRAWING	