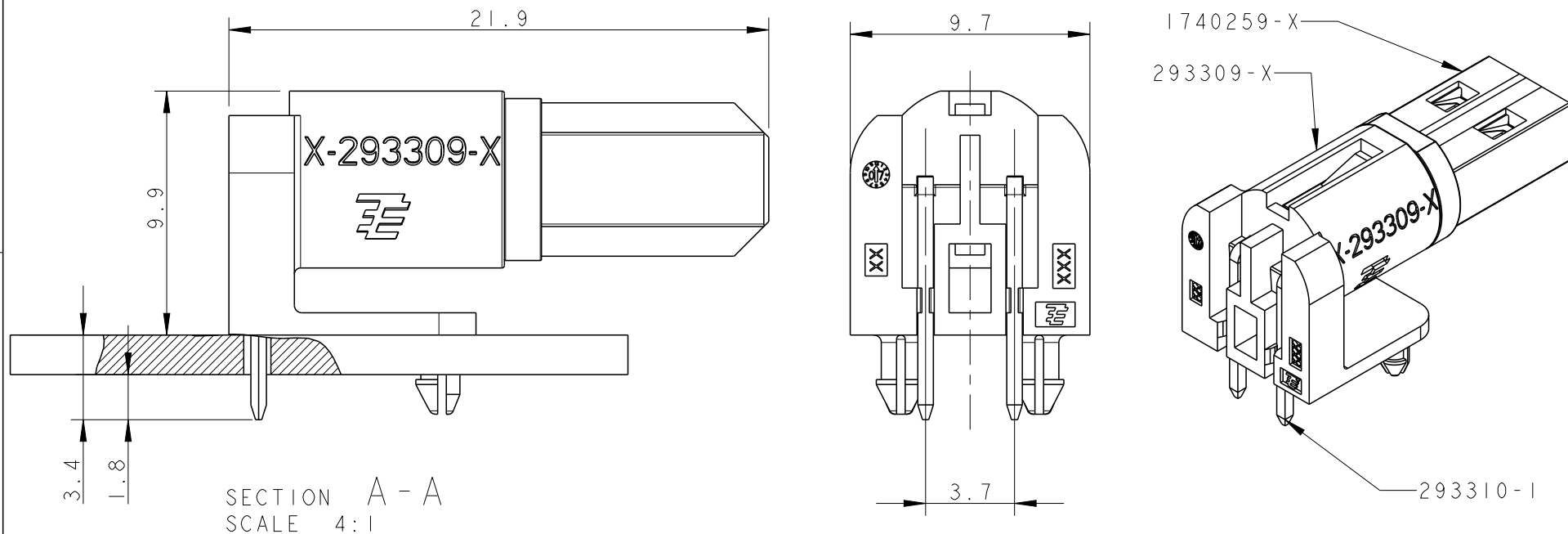


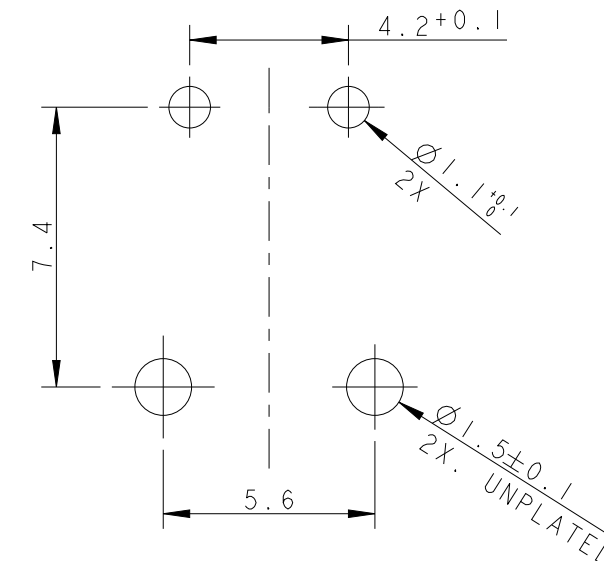
P	LTR	DESCRIPTION	DATE	DWN	APVD
D5		REVISED	21AUG2012	MZ	JC
D6		REVISED PER ECR-13-009678	18SEP2013	RS	DD
D7		ECR-16-004670	04APR2016	RS	JL

### TYPICAL APPLICATION



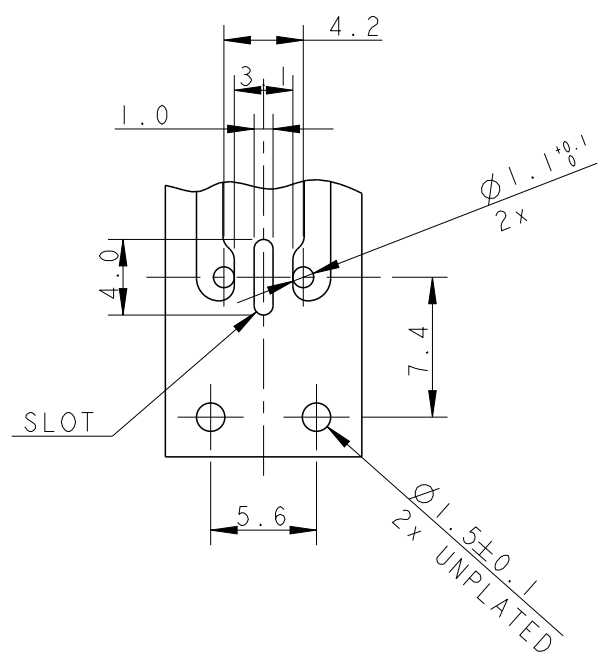
### PRINTED CIRCUIT BOARD LAYOUT FOR LOW VOLTAGE VERSION

TOLERANCES UNLESS OTHERWISE SPECIFIED ± 0.05  
PRINTED CIRCUIT BOARD THICKNESS: 1.6 mm NOMINAL

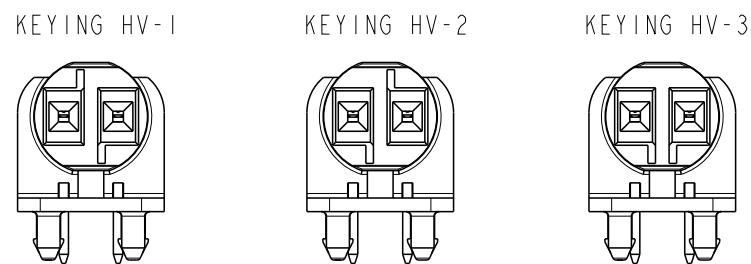


### PRINTED CIRCUIT BOARD LAYOUT FOR HIGH VOLTAGE VERSION

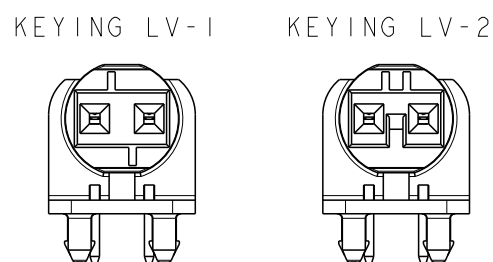
TOLERANCES UNLESS OTHERWISE SPECIFIED ± 0.05  
PRINTED CIRCUIT BOARD THICKNESS: 1.6 mm NOMINAL



### HIGH VOLTAGE



### LOW VOLTAGE



- 1) MATERIALS:  
CONTACTS: SOLDERING SIDE TIN PLATED Ph. BRONZE  
RECEPTACLE IN SPECIAL ALLOY COPPER TIN PLATED  
HOUSING: PA66 GFF25 UL 94 V0

2 OBSOLETE

2

2

KEYING	REMARKS	PART NUMBER	REV.	COLOR
LV-2	LOW-VOLT 42 V DC	293311-6	D	YELLOW
LV-1	LOW-VOLT 42 V AC	293311-5	D	LIGHT GREY
HV-2	SWITCH MAX. 7A	293311-4	D	RED
HV-3	HIGH-VOLT 125 V AC	293311-3	D	BLUE
HV-1	HIGH-VOLT 250 V AC	293311-2	D	BLACK
HV-1	HIGH-VOLT 250 V AC	293311-1	D	WHITE

THIS DRAWING IS A CONTROLLED DOCUMENT.

DWN R. FRABONI 18JUN2007

CHK -

APVD G. TURCO

PRODUCT SPEC 108-94018

APPLICATION SPEC 114-32102

WEIGHT -

CUSTOMER DRAWING

DIMENSIONS:	TOLERANCES UNLESS OTHERWISE SPECIFIED:
mm	
	0 PLC ±-
	1 PLC ±0.5
	2 PLC ±0.3
	3 PLC ±-
	4 PLC ±-
	ANGLES ±0.5°
MATERIAL -	FINISH -

**TE** TE Connectivity

NAME  
7.5 mm PCB CONNECTOR ASSEMBLY  
90 DEGREE FEMALE VERSION

SIZE CAGE CODE DRAWING NO RESTRICTED TO

A300779 C-293311 -

SCALE 5:1 SHEET 1 OF 1 REV D7